

Project:	Catalogue #:	Type:
Notes:		

Product Description

An Intellect enabled premium-grade, pendant-mount, bi-directional luminaire. The Allura features an architectural slim profile with soft curves to enhance the visual space. This pendant-mount luminaire comes with a double tear drop shaped frosted diffuser that offers a high level of efficiency and visual comfort. This luminaire features standalone occupancy sensor with daylight harvesting or wireless occupancy/daylight sensor that integrates into the Intellect wireless control system.

Applications

Boardrooms, Corridors, Retail Stores and Supermarkets, Studio Lofts, Offices



Features

- Double teardrop extruded diffusers
- Standard low voltage dimming (0-10v, 1%)
- Standard 4-ft 5-wire white cord
- Intellect occupancy/daylight sensor

Featured Options

- Emergency lighting battery pack

Optical System

Frosted acrylic diffuser offer high levels of efficiency and visual comfort. The bi-directional optics provide a wide, uniform light distribution. Standard distribution is 25% up and 75% down.

Mounting

Single-point aircraft cable mounting system used at each hanging location.

Construction

Precision-formed steel housing assembly.

Finish

Polyester powder painted finish (textured matte white).

Electrical

Long life LEDs coupled with high efficiency drivers provide quality illumination. Rated to deliver L80 performance > 50,000 hours.

Controls

Two Integrated control fixtures available (see ordering key on page 2). The Intellect in-fixture solo occupancy sensor with daylight harvesting and the Intellect in-fixture wireless occupancy/daylight sensor that integrates into the Intellect wireless control system.

Warranty

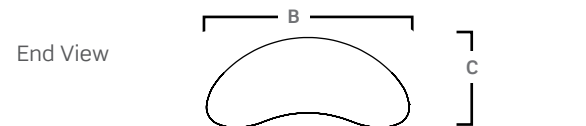
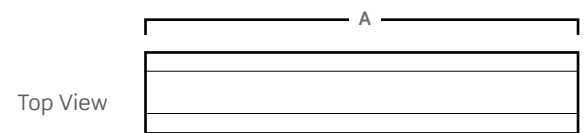
5 year limited warranty. For complete warranty, click here: [5YR Warranty](#)

Approvals

- Approved to CSA/UL standards.
- Suitable for damp locations



Dimensions



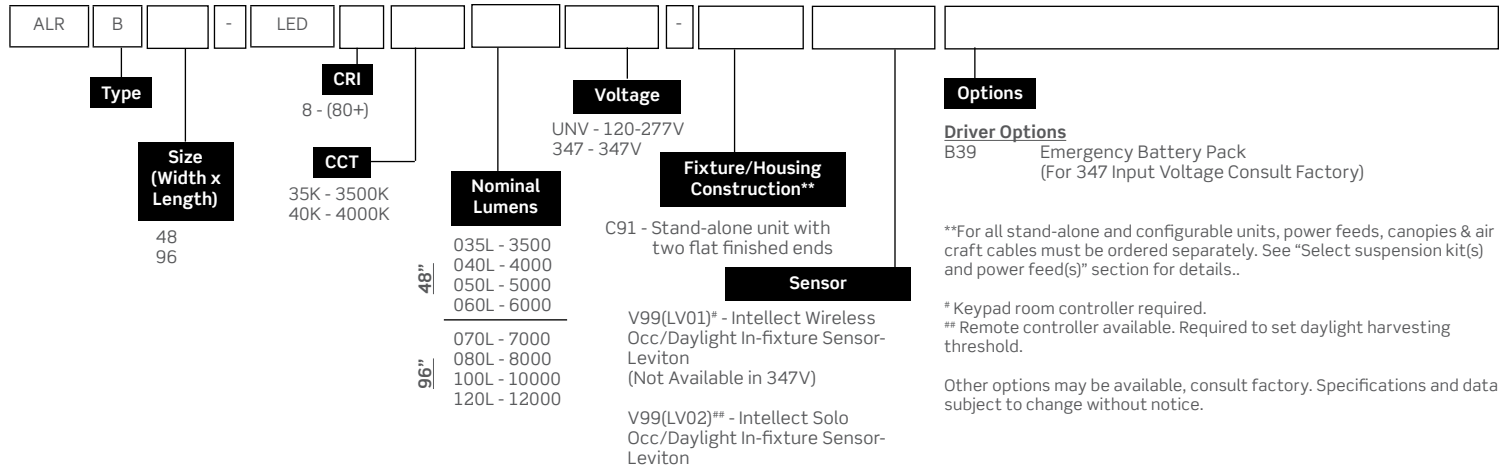
Size	A	B	C
48	45"	6"	2 5/8"
96	89"	6"	2 5/8"

Consult installation guide for exact dimensions.

Project:	Catalogue #:	Type:
Notes:		

Order Key

EXAMPLE: ALRB48-LED840K050LUNV-C91V99(LV01)



Performance Data

LED Performance Data				
Size	Nominal Lumens	Delivered Lumens	Watts	Lumens Per Watt
48	3500	3525	23.8	148.2
	4000	4020	27.3	147.1
	5000	5031	34.8	144.8
	6000	6024	42.3	142.4
96	7000	7050	47.6	148.2
	8000	8040	54.6	147.1
	10000	10063	69.5	144.8
	12000	12048	84.6	142.4

Values based on 840K with standard lens at 25C

Performance Scaling Factor

	50K	40K	35K	30K
80CRI	1.000	1.000	0.960	0.946
90CRI	0.875	0.875	0.836	0.809

How to Order configurable system

Select suspension kit(s) and power feed(s)***

Part#	Description
KIT00188	48" Air Craft Cable & Canopy
KIT00189	5-Wire UNV Power Feed with 48" Air Craft Cable & Canopy
KIT00230†	6-Wire UNV Power Feed with 48" Air Craft Cable & Canopy (Emergency)
KIT00190	3-Wire 347V Power Feed with 48" Air Craft Cable & Canopy (Non-dimmable)
KIT00191	5-Wire 347V Power Feed with 48" Air Craft Cable & Canopy

***One power feed is recommended for every 60 feet based on 6000 lumens unit on 120V 15A current.

***For other suspension kit lengths, please consult factory.

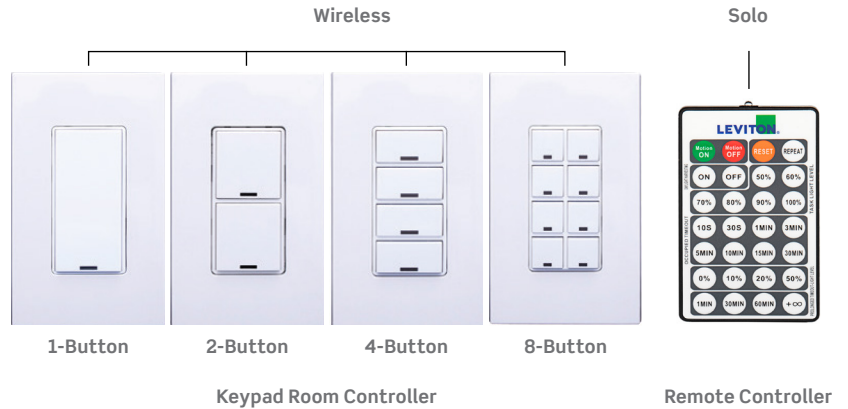
†Emergency suspension kit must be connected to the housing containing emergency battery pack.

Project:	Catalogue #:	Type:
Notes:		

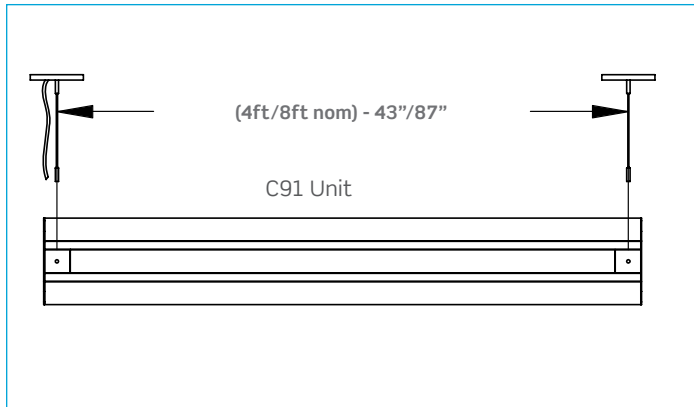
Intellect Controllers (Ordered Separately)

Item No.	Description	Sensor Type Compatibility
KIT00226	8 Buttons Keypad	V99(LV01)
KIT00227	4 Buttons Keypad	V99(LV01)
KIT00228	2 Buttons Keypad	V99(LV01)
KIT00229	1 Button Keypad	V99(LV01)
ELC00368	Remote Controller	V99(LV02)

*Wall Plate by Others



Mounting Points



Popular Configurations

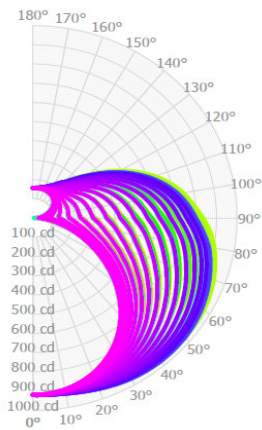
Stand-alone with flat ends

Part#	Description	Qty.
C91		1
KIT00188		1
KIT00189		1



Photometrics

IES File: **ALRB48-LED840K060LUNV**
 Lumens: **6016**
 Wattage: **47**
 Efficacy: **128**



Zonal Lumen Summary

Zone	Lumens	%Fixture
0.0° - 30.0°	755	12.5%
0.0° - 40.0°	1284	21.3%
0.0° - 60.0°	2517	41.8%
0.0° - 90.0°	4191	69.7%
0.0° - 110.0°	5035	83.7%
0.0° - 130.0°	5593	93.0%
0.0° - 150.0°	5877	97.7%
0.0° - 170.0°	6001	99.7%
0.0° - 180.0°	6016	100.0%

Coefficients of Utilization

pc	80%			70%			50%		
	70%	50%	30%	70%	50%	30%	70%	50%	30%
0	112	112	112	106	106	106	94	94	94
1	98	92	87	92	87	82	81	77	73
2	88	78	70	82	74	67	72	65	60
3	79	68	59	74	64	56	65	56	50
4	72	59	50	67	56	47	59	50	42
5	66	52	43	62	50	41	54	44	37
6	61	47	38	57	44	36	49	39	32
7	56	42	33	52	40	32	46	36	29
8	52	38	29	49	36	28	43	32	26
9	48	35	26	45	33	25	40	30	23
10	45	32	24	42	30	23	37	27	21

Average Luminance Table (cd/m²) CP Summary

	0.00°	45.00°	90.00°
0.00°	4875	4875	4875
45.00°	4278	4697	5549
55.00°	3863	4808	6217
65.00°	3325	5070	7217
75.00°	2647	5726	8803
85.00°	1293	7542	11745

Effective Floor Cavity Reflectance: 20%