

Project:	Catalogue #:	Type:
Notes:		

Product Description

LED premium grade high or low bay fixture. The luminaire is a sleek, 2' x 2' design to complement any interior. The LHBA is the perfect LED option for your light industrial, commercial or retail applications.

Applications

Schools, Retail Stores, Industrial, Showrooms, Churches, Atrium, Gymnasiums (for use with option W1), Natatoriums (must be used with C64 option)

Features

- Ideal for high bay or low bay applications
- Sleek design complements any interior
- 80+ CRI
- Standard low voltage dimming (0-10v)
- 2x2 configuration
- 4000K Standard

Featured Options

- Adjustable cable suspension available
- Mounting brackets for pendant
- Emergency lighting battery pack
- Lenses, see product selection
- Wireguard

Optical System

Standard unit is supplied with white translucent polycarbonate lens. Optional shielding is available.

Mounting

This luminaire is specifically designed for suspended mount applications. Must be mounted at least 16 inches below the surface (ceiling to bottom of luminaire). Equipped with 10/24 threaded inserts.

Construction

Solid metal welded fabricated housing with integral ventilation slots and finned aluminum heatsink.

Finish

White, polyester powder painted housing.

Suspension

Several suspended mounting accessories are available (See mounting accessories).

Electrical

Long life LEDs coupled with high efficiency drivers provide quality illumination. Rated to deliver L80 performance > 50,000 hours. CSA/UL approved electronic components.

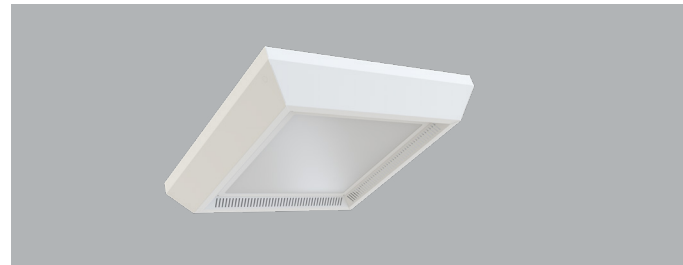
Warranty

5 year limited warranty. For complete warranty, click here: [5YR Warranty](#)

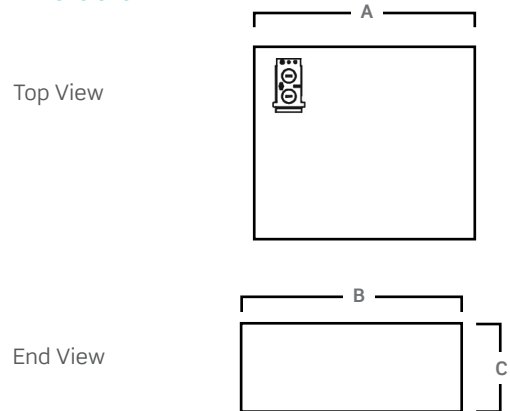


Approvals

- Approved to CSA and UL standards.
- Suitable for damp locations.
- Tested in accordance to IESNA LM-79.



Dimensions



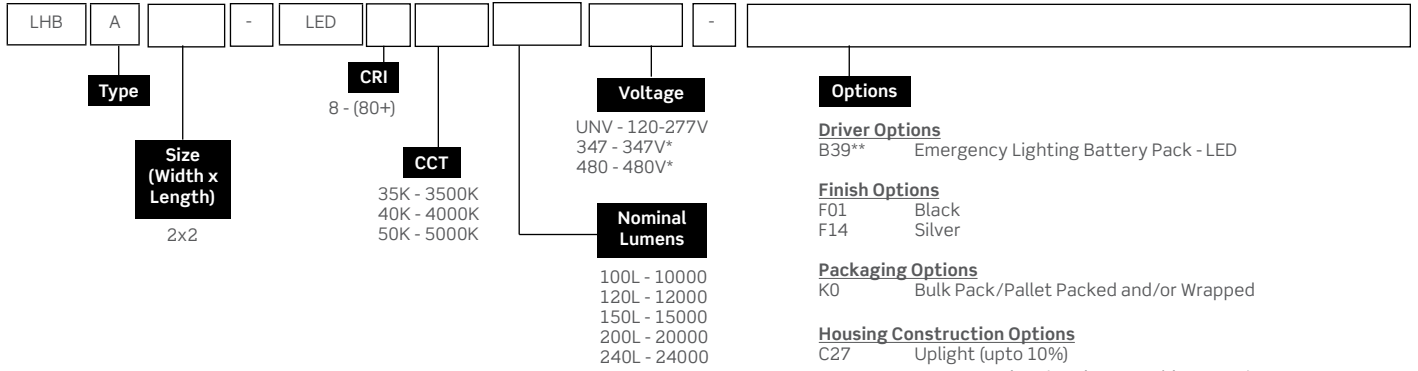
Size	A	B	C
2x2	24"	24"	4.5"

Consult installation guide for exact dimensions.

Project:	Catalogue #:	Type:
Notes:		

Order Key

EXAMPLE: LHBA2x2- LED840K240LUNV-P05V08



Performance Data

LED Performance Data				
Size	Nominal Lumens	Delivered Lumens	Watts	Lumens Per Watt
2x2	10000	9880	76.6	129
	12000	11141	87.5	127.4
	15000	14820	114.9	129
	20000	19760	153.2	129
	24000	22283	174.9	127.4

Values based on 840K with standard lens at 25C

Performance Scaling Factor

	50K	40K	35K	30K
80CRI	1.000	1.000	0.960	0.946
90CRI	0.875	0.875	0.836	0.809

Mounted Accessories (Ordered Separately)	
KIT00001	Mounting Chain Set (2) 4Ft W/S-Hooks. M10
KIT00004	Aircraft "Y" Cable (10ft) with Adjustable Grip (2).M36
KIT00018	S-Hooks only (Set Of 4) for C/S Chain.M45
KIT00019	Mounting Hook W/ Aircraft Cable Set.M60
KIT00025	Aircraft "Y" Cable(20ft) with Adjustable Grip (2).M36
KIT00026	Mounting Bracket for Rigid Stem (c/w 3/4-inch Hub w/ 1/2-inch Reducer)
KIT00027	Aircraft "Y" Cable (5ft) with Adjustable Coupler, 6-Ft Cord Set & Canopy Kit (2)

- Options**
- Driver Options**
B39** Emergency Lighting Battery Pack - LED
- Finish Options**
F01 Black
F14 Silver
- Packaging Options**
K0 Bulk Pack/Pallet Packed and/or Wrapped
- Housing Construction Options**
C27 Uplight (upto 10%)
C64 For Natatorium (Maximum Ambient 40°C)
- Lens & Shielding Options**
Translucent Polycarbonate is Standard - P73
P00 No Lens
P05 Clear Smooth Acrylic
P07 Clear Polycarbonate
P57*** Debris Shield
P82 White Translucent Acrylic
P08P73 0.25" Clear Polycarbonate External with White Translucent Polycarbonate Internal (Recommended for gymnasium)
- Wireguard Options**
W1 Wireguard Heavy Duty Painted
- Wiring Options**
V08* Flexible Cord Feed (Single Circuit Cord)
xx- Specify length in inches
Note: To be used with KIT0001, KIT00004, KIT00019 & KIT00026 mounting only
V32 Wiring 2-Circuit Cord
- Controls Options**
For advanced wireless controls [Click Here](#).

* Other options may be available consult factory. Specifications and data subject to change without notice.

** If fixture is to be switched a 2 circuit cord.

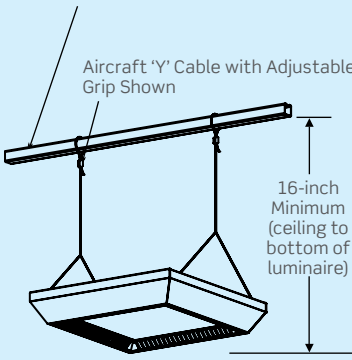
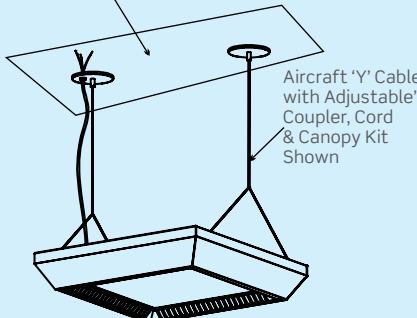
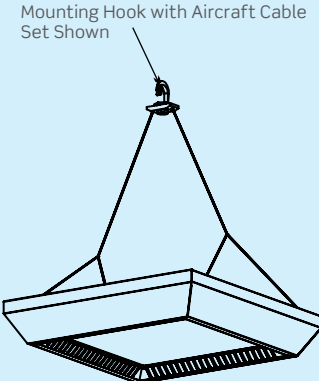
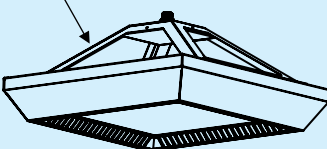
*** Consult factory for availability

* For pendant mounted applications only. Not for use in surface mount applications.

Other options may be available, consult factory. Specifications and data subject to change without notice.

Project:	Catalogue #:	Type:
Notes:		

Additional Options

<p>Existing Bracket or Structure (by others)</p> <p>Aircraft 'Y' Cable with Adjustable Grip Shown</p> <p>16-inch Minimum (ceiling to bottom of luminaire)</p>  <p>KIT00004</p>	<p>New or Existing Finish Drywall Ceiling or T-Bar Grid (by others)</p> <p>Aircraft 'Y' Cable with Adjustable, Coupler, Cord & Canopy Kit Shown</p>  <p>KIT00027</p>	<p>Mounting Hook with Aircraft Cable Set Shown</p>  <p>KIT00019</p>	<p>Mounting Bracket Assembly for Rigid Stem c/w 3/4" Hub & 1/2" Reducer</p>  <p>KIT00026</p>
--	---	---	---