

Project:	Catalogue #:	Type:
Notes:		

Product Description

Specification-grade high or low bay luminaire. For use with demanding indoor arena, recreation center and gymnasium applications where high-efficiency, high performance and ease of installation are required. This luminaire's wide body design and wide beam light distribution makes it ideal as an HID alternative or replacement.

Applications

Athletic Centers, Gymnasiums, Garage and Workshops, Manufacturing and Warehouse areas

Features

- Up to 50% energy savings compared to equivalent metal halide luminaire
- Welded steel housing with a highreflectance powder coated housing (white)
- One-piece, heavy-gauge piano hinged door frame with two positive action stainless steel cam latches
- Heavy-duty narrow cell wireguard
- 80+ CRI
- Standard low voltage dimming (0-10v)
- 4000K Standard
- Available in 24 and 48-inch lengths

Featured Options

- Emergency battery pack
- Framed optically clear polycarbonate lens

Optical System

CNC brake-formed, multi-faceted optimized powder painted reflector is standard. Optional clear polycarbonate lens is available.

Mounting

This luminaire is specifically designed for suspended mount applications. Suitable for multiple mounting options, including chain, adjustable air craft cable (See mounting options).

Construction

CNC brake-formed, code gauge steel housing and ends. Return lip on housing and welded end plates provides exceptional rigidity. Heavy-duty wireguard and door frame are securely retained by a piano hinge for added rigidity.

Finish

White, polyester powder painted housing.

Electrical

Access plate is located on the back of the unit for connections and through wiring. CSA/UL approved electronic components. 22,900 delivered lumens at 221W for an efficacy of over 100lms/watt (other outputs available).

Warranty

5 year limited warranty. For complete warranty, click here: 

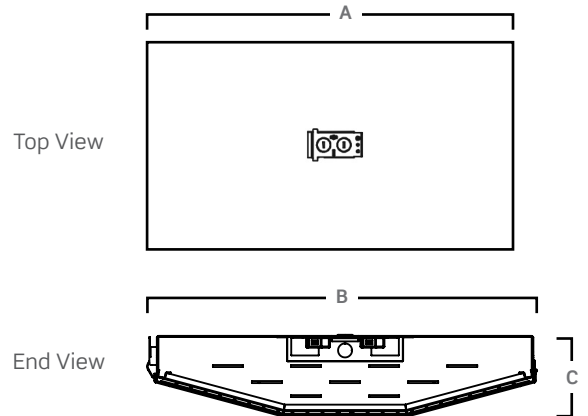


Approvals

- Approved to CSA and UL standards.
- Suitable for damp locations.



Dimensions



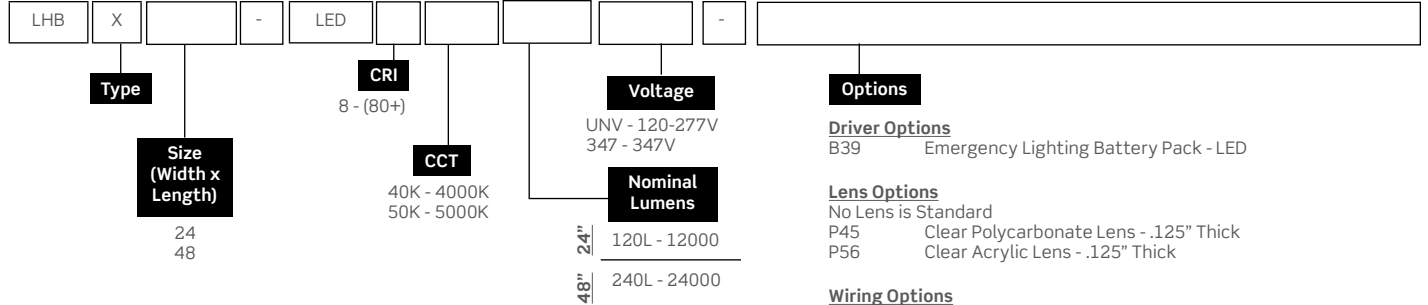
Size	A	B	C
24"	25 7/16"	23 13/16"	5 1/16"
48"	49 7/16"	23 13/16"	5 1/16"

Consult installation guide for exact dimensions.

Project:	Catalogue #:	Type:
Notes:		

Order Key

EXAMPLE: LHBX48-LED840K240LUNV-P45



- Options**
- Driver Options**
 B39 Emergency Lighting Battery Pack - LED
- Lens Options**
 No Lens is Standard
 P45 Clear Polycarbonate Lens - .125" Thick
 P56 Clear Acrylic Lens - .125" Thick
- Wiring Options**
 V08* Flexible Feed Cord (Single circuit only - 6Ft. Standard)
 V21 Motion Sensor with Enclosure Assembly
- Controls Options**
 For advanced wireless controls [Click Here](#).

*For pendant mounted application only. Not for use in surface mount application.

Other options may be available, consult factory. Specifications and data subject to change without notice.

Performance Data

LED Performance Data				
Size	Nominal Lumens	Delivered Lumens	Watts	Lumens Per Watt
24	12000	12035	80.1	150.2
48	24000	24069	160.2	150.2

Values based on 840K with standard lens at 25C

Performance Scaling Factor

	50K	40K	35K	30K
80CRI	1.000	1.000	0.960	0.946
90CRI	0.875	0.875	0.836	0.809

Mounted Accessories (Ordered Separately)

- KIT00001 Chain Set (2) 4ft w/ S-hooks.M10
- KIT00003 Stem & Canopy Set 3/8"IP (2) 4ft.M26
- KIT00004 Aircraft "Y" Cable (10Ft) with Adjustable Grip (2).M36
- KIT00016 Mounting Deck Plate Ribbed Square.M35
- KIT00018 S-Hooks Only (set of 4) for C/S Chain.M45