

Project:	Catalogue #:	Type:
Notes:		

**Product Description**

Commercial-grade, surface-mounted ceiling luminaire featuring a wide curved lens for even light distribution. This fixture offers a modern architectural styling with a high visual comfort. For use with indoor applications where low-glare, high-quality and ease of installation are required.

**Applications**

Office Areas, Retail Stores, Classrooms, Corridors, Hospitals, Nursing Homes

**Features**

- Enhanced, uniform lighting delivers a balanced amount of light to walls, cubicles, work surfaces and people
- Diffuser is pressure-fitted into place to create a clean looking, easy maintenance lens
- Standard low voltage dimming (0-10v)
- Available in 1x4, 2x2 and 2x4 configurations

**Featured Options**

- Emergency battery pack
- Flexible metal whip - 6 foot x 3/18 gauge conductors

**Optical System**

Smooth extruded linear prismatic diffusers offer high levels of efficiency and visual comfort. Indirect reflectors are precision formed and contoured to provide soft, low glare indirect illumination while maintaining high efficiency and a wide uniform lighting distribution.

**Mounting**

This luminaire has been specifically designed for surface or suspended applications.

**Construction**

Die-formed, code gauge steel housing. Precision-formed steel reflector.

**Finish**

White polyester powder painted surfaces. Consult rep for other finishes.

**Electrical**

Long life LEDs coupled with high efficiency drivers provide quality illumination. Rated to deliver L80 > 50,000 hours.

**Warranty**

5 year limited warranty. For complete warranty, click here:

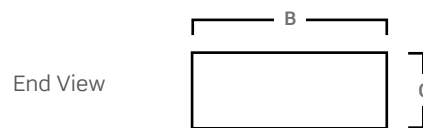
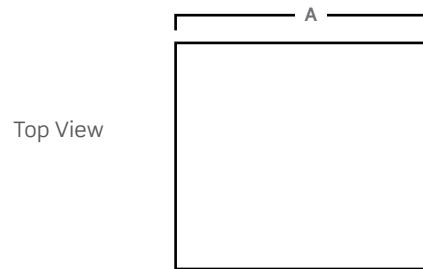


**Approvals**

- Approved to CSA/UL standards.
- Tested in accordance to IESNA LM-79
- Suitable for damp locations.



**Dimensions**



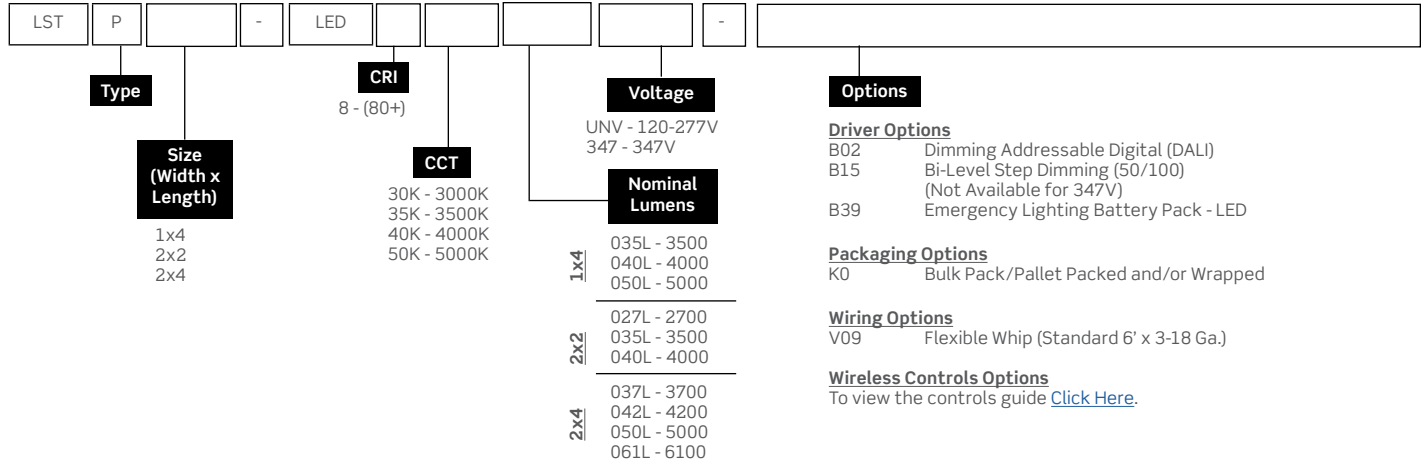
Size	A	B	C
1x4	47 3/4"	11 3/4"	4 1/4"
2x2	23 3/4"	23 3/4"	4 1/4"
2x4	47 3/4"	23 3/4"	4 1/4"

Consult installation guide for exact dimensions.

Project:	Catalogue #:	Type:
Notes:		

**Order Key**

**EXAMPLE: LSTP2x2- LED840K035LUNV**



- Options**
- Driver Options**
- B02 Dimming Addressable Digital (DALI)
  - B15 Bi-Level Step Dimming (50/100) (Not Available for 347V)
  - B39 Emergency Lighting Battery Pack - LED
- Packaging Options**
- K0 Bulk Pack/Pallet Packed and/or Wrapped
- Wiring Options**
- V09 Flexible Whip (Standard 6' x 3-18 Ga.)
- Wireless Controls Options**
- To view the controls guide [Click Here](#).

Other options may be available, consult factory. Specifications and data subject to change without notice.

**Performance Data**

LED Performance Data				
Size	Nominal Lumens	Delivered Lumens	Watts	Lumens Per Watt
1x4	3500	3945	26.8	147.1
	4000	4295	29.4	146.3
	5000	5059	35	144.6
2x2	2700	3044	21.2	143.9
	3500	3886	27.8	139.8
	4000	4216	30.5	138.3
2x4	3700	3991	26.8	148.8
	4200	4346	29.4	148
	5000	5049	34.5	146.4
	6100	6087	42.3	143.9

Values based on 840K with standard lens at 25C