

Project:	Catalogue #:	Type:
Notes:		

Product Description

Premium-grade, surface-mounted, ceiling luminaire featuring one angled center lens. For use with indoor applications where aesthetics, quality and standard 0-10V dimming is required. Features hinged and latched door frame with integral lens and optics.

Applications

Office Areas, Retail Stores, Schools, Corridors, Hospitals

Features

- Enhanced, uniform lighting delivers a balanced amount of light to walls, cubicles, work surfaces and people
- Clean appearance - no exposed fasteners
- Shallow design
- Mitred corners
- Extruded acrylic diffuser
- 80+ CRI
- Standard low voltage dimming (0-10V)
- Available in 1x4, 2x2 and 2x4 configurations

Featured Options

- Emergency Lighting Battery Pack
- Step Dimming
- Occupancy Sensor

Optical System

Angled white translucent acrylic diffuser for increased visual comfort and architectural appeal.

Mounting

Holes provided for chain-mounting support to building structure. Offset mounting pads, which keep luminaire level and slightly off of mounting surface, are formed within the housing. Optional aircraft cable assemblies and canopy sets are available.

Construction

CNC brake-formed, code gauge steel housing and ends. Precision-formed steel reflector. Diffuser is held within a hinged door frame. The heavy-gauge door frame hinges downward on either side, and is held in the closed position by two positive cam latches.

Finish

White, polyester powder painted housing.

Electrical

Long life LEDs coupled with high efficiency drivers provide quality illumination. Rated to deliver L80 performance > 50,000 hours at 105 lumens/watt.

Warranty

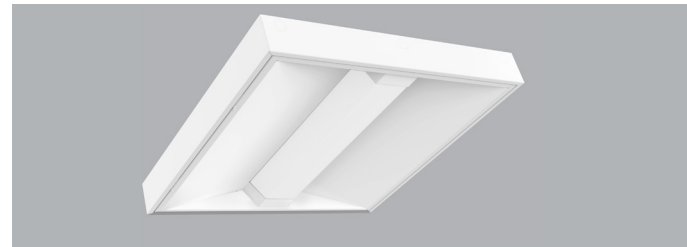
5 year limited warranty. For complete warranty, click here: 



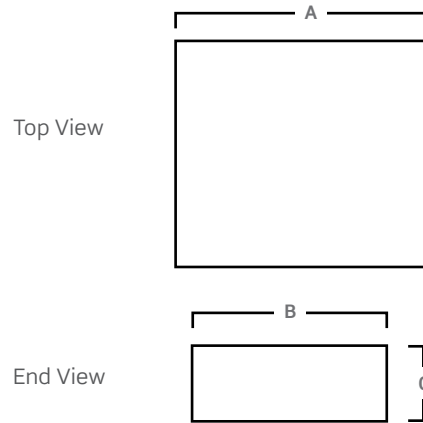
Approvals

- Approved to CSA/UL standards.
- Suitable for damp locations.
- DesignLights Consortium® Qualified.

All configurations may not be DLC qualified. Check www.designlights.org/QPL for qualified configurations.



Dimensions



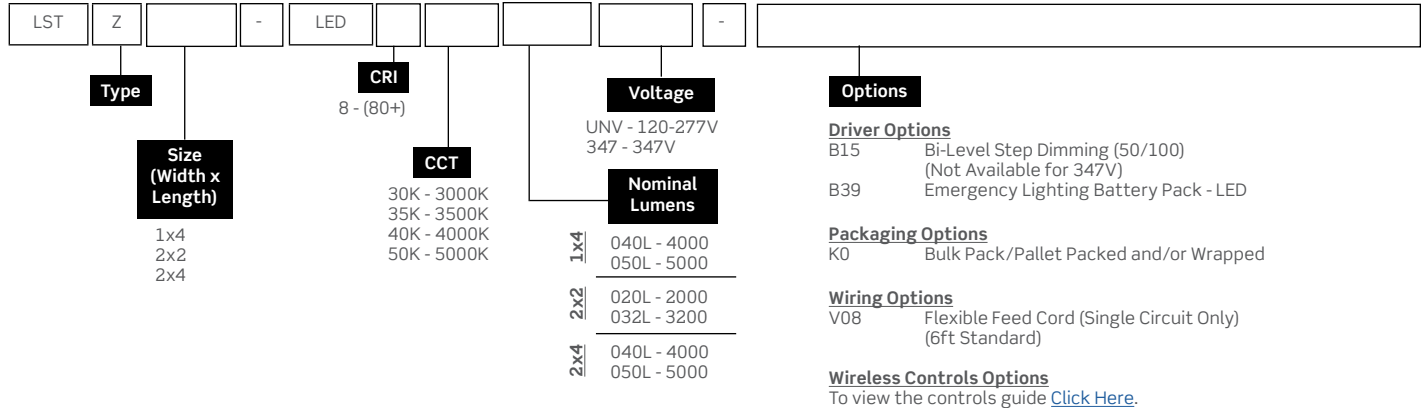
Size	A	B	C
1x4	47 3/4"	11 3/4"	3 3/16"
2x2	23 3/4"	23 3/4"	4 3/16"
2x4	47 3/4"	23 3/4"	4 3/16"

Consult installation guide for exact dimensions.

Project:	Catalogue #:	Type:
Notes:		

Order Key

EXAMPLE: LSTZ2x2-LED840K032LUNV



Other options may be available, consult factory. Specifications and data subject to change without notice.

Performance Data

LED Performance Data				
Size	Nominal Lumens	Delivered Lumens	Watts	Lumens Per Watt
1x4	4000	4214	26.8	157.2
	5000	4961	31.9	155.4
2x2	2000	2069	13.2	157.3
	3200	3214	21.2	151.9
2x4	4000	4214	26.8	157.2
	5000	4961	31.9	155.4

Values based on 840K with standard lens at 25C

Mounted Accessories (Ordered Separately)

- KIT00001 Chain Set (2) 4ft w/ S-hooks.M10
- KIT00004 Aircraft "Y" Cable (10Ft) with Adjustable Grip (2).M36
- KIT00018 S-Hooks Only (set of 4) for C/S Chain.M45
- KIT00022 Chain Set (2) 3ft w/ S-hooks.M10
- KIT00040 Chain Set (2) 6ft w/ S-hooks.M10
- KIT00042 Chain Set (2) 12ft w/ S-hooks.M10