

S4P3

Sigma 4 3-Light Linear Pulldown LED Fixture Recessed Lighting

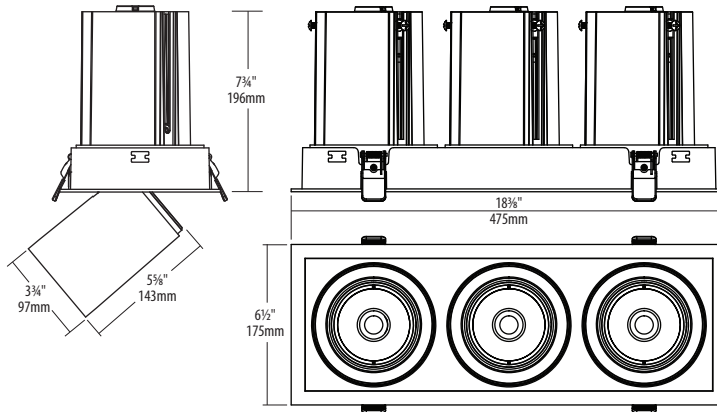


Job Information	
Project Name	
Type	
Location	
Quantity	
Date	

Description

The Sigma 4 Pulldown is a no-compromise LED solution that provides the most flexible possible adjustable pull-down luminaire on a single fixture along with multiple beam angle options. With a variety of trims, lumens, wattage and color combinations, it offers an ideal solution to suit any space.

Technical Drawings



FIXTURE SPECIFICATIONS

Aperture	3"
Application	Recessed
Approved Location	Damp
Certification	cETLus
CRI	90
Dimming	Yes
Lumens per Watt	Typical 82
Power Factor	>0.9
Power Supply Type	Constant Current
Lumen Maintenance	70% @ 50,000 Hrs
THD	<20%
Warranty	5 Years

Ordering Guide

Fixture Color	Trimless Option	Source Light Output	Color Temp.	Beam Angle	Lens Options	Driver Options	Voltage	Mounting	Shipping
S4P3									
B: Black W: White	S: No adapter T: Trimless Adapter Included 1: Trimless Adapter in 1/2" drywall 5: Trimless Adapter in 3/8" drywall	A: 2800 lm (30W, Non-IC) 30: 3000 K 27: 2700 K 35: 3500 K 40: 4000 K	S: Spot (15°) N: Narrow (24°) M: Medium (38°) F: Flood (60°)	C: Clear protective lens 1: Honeycomb Louver 2: Soft Lens 5: Cross Louver 6: Snoot	C: TRIAC, ELV, 0-10V, 120-277V Input ¹ B: Rated -40°C, 0-10V, 120-277 & 347V Input D: DALI, Rated -40°C, 120-277V & 347V Input M: DMX, 120-277V Input ¹ E: Emergency Backup, 0-10V, 120-277V Input ¹ L: Lutron EcoSystem, 120-277V Input ¹ Q: Casambi Enabled Driver, 120-277V Input ¹	1: 120V 2: 277V 3: 347V 4: 208V 5: 240V	RM: Remodel ² NC: New Construction AR: Architectural C-Channel Brackets	1: Ship Complete 2: Ship Rough-in First	

QUICKSHIP
MADE-TO-ORDER

Highlighted option denotes quick ship.

Notes:

¹ Not available with 347V. ² Remodel only available as ship complete.
 Quick Ship option is available on orders of 100 pieces or less, and will ship within 5 business days. Options must be selected from Quick Ship section to qualify.
 For additional options please consult your A-Line representative. All trademarks are the property of their respective owners. Casambi is a trademark of Casambi Technologies.
 Due to our continued efforts to improve our products, product specifications are subject to change without notice.

Features

Beam Angle

Multi-faceted reflector available in spot (15°), narrow (24°), medium (38°) and flood (60°) beam angles.

Adjustability

At full extension each light source is independently adjustable to 75° tilt off of vertical and allows for 350° rotation.

LED Characteristics

Available with high powered BRIDGELUX® LED chip that maintains high lumens per watt with a typical 90 CRI.

LED Optics

Integrated TIR dome lens with clear protective cover. Optional honeycomb, soft lens, cross louver and snoot are also available.

Dimming

Multiple dimming options are available. 100~10% dimming with TRIAC/ELV,

100~1% dimming with 0-10V, and dim to off with compatible devices. See LED Driver Options for details. Consult factory for compatible dimmers.

Thermal Performance

Extruded aluminum heat sink ensures optimal heat dissipation and LED life.

LED Driver

The LED driver is remote mounted to allow for a lower operating temperature of the LED, longer life, and serviceable separate from the fixture. Includes an 18" (457mm) plenum rated FT6 wire with DC 2.1 connector from the driver to fixture. See LED Driver Options for more specific details.

System Protection

Integral thermal protection provided on all models to indicate improper installations. Mounted to the junction box and will disconnect if insulation is detected. Insulation must maintain 3"

(76mm) clearance from top or sides.

Hanger Bars – New Construction

Rigid hanger bars extend up to 25" (635mm). Score lines on the hanger bars allow for tool-less shortening down to 12" (305mm). Built-in line-up foot allows for accurate housing height during installation. Integrated T-bar clips easily snap onto T-bars.

Hanger Bars – Architectural C-Channel

Architectural frame bracket accepts C-channel and EMT conduit. Vertically adjustable.

Trimless Option

Trimless adapter provides a flush and seamless ceiling mount. Trimless adapter is also available prefabricated in level 5 drywall for ease of installation.

Shipping

Fixtures can be shipped complete or with rough-in components first, and the remainder once requested.

Environment

Suitable for use in damp locations.

Warranty

5-Year warranty.

LED Driver Options

(C) TRIAC/ELV/0-10V : TRIAC/ELV dimming for 120V only, 100~10% dimming. Dimming over 0-10V is optional, but required for 277V & 347V dimming.

(B) Rated -40 : Low temperature driver operation. Dimming to 1% over 0-10V.

(D) DALI : DALI soft dimming to 1%. Dim-to-off with standby power <0.3W. Rated to -40.

(M) DMX : DMX/RDM soft dimming to 0.1%. Dim-to-off with standby power <0.3W.

(E) Emergency Backup : Integrated emergency battery with switchable output of 5W for 180 minutes, or 10W for 90 minutes of operation during an outage.

(L) : Lutron EcoSystem : Suitable for integration into a planned or existing EcoSystem® lighting control solution. Dimming down to 1% with compatible controls.

(Q) Casambi Enabled : Casambi wireless module included. Wireless dimming to 1% provided over 0-10V signal from module.