



# RBC4

## 4" BUILDERS PLUS LED COMMERCIAL DOWNLIGHT

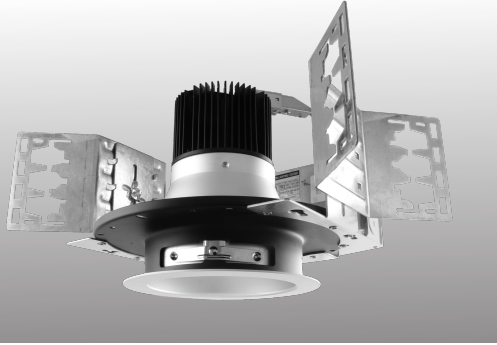
**PROJECT:** \_\_\_\_\_

**MODEL #:** \_\_\_\_\_

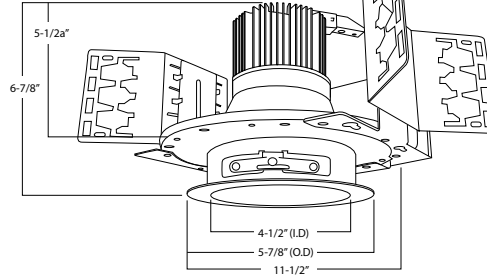
**LOCATION:** \_\_\_\_\_

**CONTACT:** \_\_\_\_\_

4" BUILDERS PLUS COMMERCIAL DOWNLIGHT



### DIMENSIONS



#### USE OF PRODUCT

The 4" Builders Plus LED Commercial Downlight series is the ideal product for energy efficient lighting in Non-IC New Construction commercial applications. Available in three color temperatures and lumen packages. Deep cone reflector designed for anti-glare purposes.

#### BUILDERS PLUS FEATURES

Lumen Selectable:  
 LS1- 710lm, 930lm, 1360lm, 1700lm, 2000lm  
 Color Temperature Selectable: 2700K, 3000K, 3500K, 4000K, 5000K  
 Locking mechanism optional  
 Optical Lens: 70° standard  
 Color Rendering Index: 84+ CRI  
 LED Life: 50,000 Hours  
 Driver Info: 120-277V; 50/60 Hz  
 Operating Temperature: -30°C - 40°C  
 Warranty: 5 year limited warranty

#### LED ENGINE

LED engine available in 3000K, 3500K, 4000K in 84+ CRI. Color temperature may be modified in field or preset with locking mechanism. LED Mounted to aluminum heat sink for maximum life output and thermal management.

#### FRAME CONSTRUCTION

Architectural frame includes butterfly brackets to accommodate C channel or flat bar hangers to tie down to ceiling grids. Junction box mounted to frame for easy wire access and for driver installation/replacement.

#### DIMMING

LED driver accommodates 120-277V input with 0-10V dimming protocol. Fixture available in three selectable lumen packages. **LS1**(710lm, 930lm, 1360lm, 1700lm, 2000lm). Lumens may be modified in field or optional lumen locking mechanism available upon request.

#### TRIM

Self-flanged spun aluminum reflector with frosted lens to shield direct view from LEDs. Reflector available in haze finish with white trim.

#### EMERGENCY BATTERY

Optional emergency battery available for a minimum of 90 minutes with both integral or remote test switch in 800 delivered lumens.

#### INSTALLATION

Non-IC housing. Insulation must be kept at least 3" away from fixture.

#### LABELS/COMPLIANCE

-cUL Listed  
 -Energy Star  
 -Title 24  
 -Wet location

## ORDERING INFO

RBC4			UNV	H	W	FN
Series	Lumens	Color Temperature	Voltage	Reflector	Trim	Frame
RBC4 - 4" Builder Plus Commercial Downlight	<b>LS07<sup>1</sup></b> - Lumen Selectable (710, 930, 1360, 1700, 2000 lm) <b>LL07</b> - Lumens Locked at 710 lm <b>LL09</b> - Lumens Locked at 930 lm <b>LL13</b> - Lumens Locked at 1360 lm <b>LL17</b> - Lumens Locked at 1700 lm <b>LL20</b> - Lumens Locked at 2000 lm	<b>CTS</b> - Color Temperature Selectable (2700K,3000K, 3500K, 4000K, 5000K) <b>CT27</b> - Locked at 2700K <b>CT30</b> - Locked at 3000K <b>CT35</b> - Locked at 3500K <b>CT40</b> - Locked at 4000K <b>CT50</b> - Locked at 5000K	UNV - 120-277V	H - Haze	W - White	FN - New Construction

**Notes**  
 1. Lumen selectable between 1500 lm, 1750 lm, 2000 lm. Lumens may be modified in field.

Frame Accessories	Options
<b>C</b> - C Channel bar hanger <b>B</b> - Flat bar hanger <b>WJ</b> - Wood Joist	<b>E18</b> - Emergency Battery with Integral Switch (800 Lumens) <b>ER8</b> - Emergency Battery with Remote Switch (800 Lumens) <b>E17</b> - Emergency Battery with Integral Switch (1700 Lumens) <b>ER17</b> - Emergency Battery with Remote Switch (1700 Lumens)



www.rayonlighting.com  
 info@rayonlighting.com

tel: 323.446.2626  
 fax:323.446.2606

Specification and product availability subject to change without notice

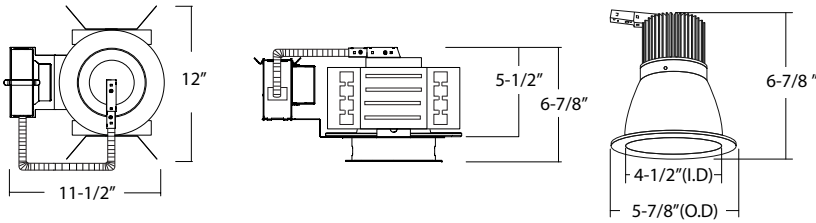
**PROJECT:** \_\_\_\_\_

**MODEL #:** \_\_\_\_\_

**LOCATION:** \_\_\_\_\_

**CONTACT:** \_\_\_\_\_

## DIMENSIONS

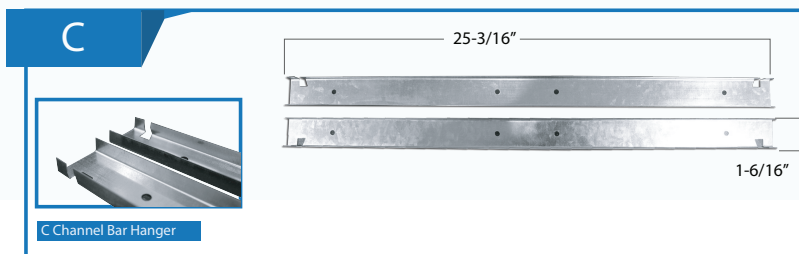
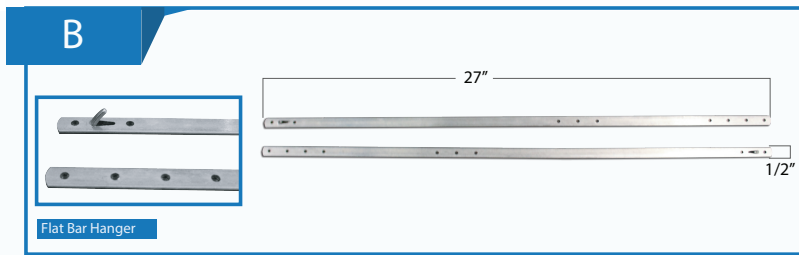
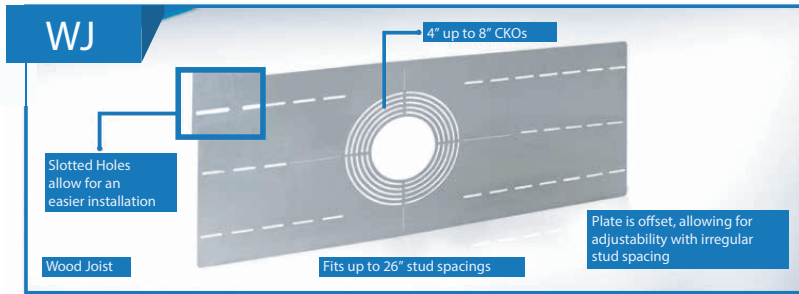


## WATT/LUMENS CHART

Watt	Lumens	CRI
9W	710 lm	84+
12W	930 lm	84+
18W	1360 lm	84+
24W	1700 lm	84+
28W	2000 lm	84+

Performance based on 4000K

## FRAME ACCESSORIES



## LIST OF COMPATIBLE DIMMERS

(120/277V 0-10 DIMMING)

MFR.	MODEL#	DIMMING RATE
Lutron	NFTV	1-100%
Lutron	NTSTV-DV	1-100%
Legrand	CD4FBLW	1-100%
Leviton	1P710-DL	1-100%