



RBC6

6" BUILDERS PLUS LED COMMERCIAL DOWNLIGHT

PROJECT: _____

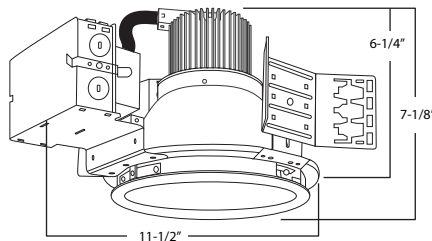
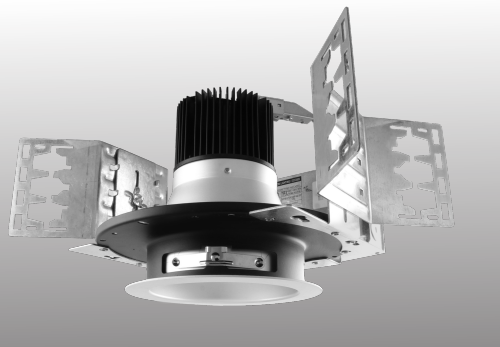
MODEL #: _____

LOCATION: _____

CONTACT: _____

6" BUILDERS PLUS COMMERCIAL DOWNLIGHT

DIMENSIONS



USE OF PRODUCT

The 6" Builders Plus LED Commercial Downlight series is the ideal product for energy efficient lighting in Non-IC New Construction commercial applications. Available in three color temperatures and lumen packages. Deep cone reflector designed for anti-glare purposes.

BUILDERS PLUS FEATURES

Lumen Selectable:
 LS07- 710lm, 930lm, 1330lm, 1700lm, 2000lm
 LS2- 2340lm, 3000lm, 3570lm
 LS3- 4000lm, 4500lm, 5100lm,
 Color Temperature Selectable: 2700K, 3000K, 3500K, 4000K, 5000K
 Locking mechanism optional
 Optical Lens: 70° standard
 Color Rendering Index: 84+ CRI
 LED Life: 50,000 Hours
 Driver Info: 120-277V; 50/60 Hz
 Operating Temperature: -30°C - 40°C
 Warranty: 5 year limited warranty

LED ENGINE

LED engine available in 5CTS 2700K, 3000K, 3500K, 4000K, 5000K (LS07) and CTS 3000K, 3500K, 4000K (LS2 and LS4) in 84+ CRI. Color temperature may be modified in field or preset with locking mechanism. LED Mounted to aluminum heat sink for maximum

life output and thermal management.

FRAME CONSTRUCTION

Architectural frame includes butterfly brackets to accommodate C channel or flat bar hangers to tie down to ceiling grids. Junction box mounted to frame for easy wire access and for driver installation/replacement.

DIMMING

LED driver accommodates 120-277V input with 0-10V dimming protocol. Fixture available in three selectable lumen packages. **LS07**(710lm, 930lm, 1330lm, 1700lm, 2000lm), **LS2**(2340 lm, 3000 lm, 3570 lm), **LS4**(4000 lm, 4500 lm, 5100 lm). Lumens may be modified in field or optional lumen locking mechanism available upon request.

TRIM

Self-flanged spun aluminum reflector with frosted lens to shield direct view from LEDs. Reflector available in haze finish with white trim.

EMERGENCY BATTERY

Optional emergency battery available for a minimum of 90 minutes with both integral or remote test switch in 800 delivered lumens.

INSTALLATION

Non-IC housing. Insulation must be kept at least 3" away

from fixture.

LABELS/COMPLIANCE

- cUL Listed
- Energy Star
- Title 24
- Wet location

ORDERING INFO

RBC6			UNV	H	W	FN
Series	Lumens	Color Temperature	Voltage	Reflector	Trim	Frame
RBC6 - 6" Builder Plus Commercial Downlight	LS07¹ - Lumen Selectable (710, 930, 1360, 1700, 2000 lm) LL07 - Lumens Locked at 710 lm LL09 - Lumens Locked at 930 lm LL13 - Lumens Locked at 1330 lm LL17 - Lumens Locked at 1700 lm LL20 - Lumens Locked at 2000 lm LS2² - Lumen Selectable (2340, 3000, 3570 lm) LL23 - Lumens Locked at 2340 lm LL30 - Lumens Locked at 3000 lm LL35 - Lumens Locked at 3570 lm LS4³ - Lumen Selectable (4000, 4500, 5100 lm) LL40 - Lumens Locked at 4000 lm LL45 - Lumens Locked at 4500 lm LL51 - Lumens Locked at 5100 lm	5CTS - Color Temperature Selectable (2700K, 3000K, 3500K, 4000K, 5000K) CT27 - Locked at 2700K CT30 - Locked at 3000K CT35 - Locked at 3500K CT40 - Locked at 4000K CT50 - Locked at 5000K CTS - Color Temperature Selectable (3000K, 3500K, 4000K) CT30 - Locked at 3000K CT35 - Locked at 3500K CT40 - Locked at 4000K CTS - Color Temperature Selectable (3000K, 3500K, 4000K) CT30 - Locked at 3000K CT35 - Locked at 3500K CT40 - Locked at 4000K	UNV - 120-277V	H - Haze	W - White	FN - New Construction

Notes
 1. Lumen selectable between 1500 lm, 1750 lm, 2000 lm. Lumens may be modified in field.

Frame Accessories	Options
C - C Channel bar hanger	E18 - Emergency Battery with Integral Switch (800 Lumens)
B - Flat bar hanger	ER8 - Emergency Battery with Remote Switch (800 Lumens)
WJ - Wood Joist	E117 - Emergency Battery with Integral Switch (1700 Lumens)
	ER17 - Emergency Battery with Remote Switch (1700 Lumens)



www.rayonlighting.com
 info@rayonlighting.com

tel: 323.446.2626
 fax: 323.446.2606

Specification and product availability subject to change without notice

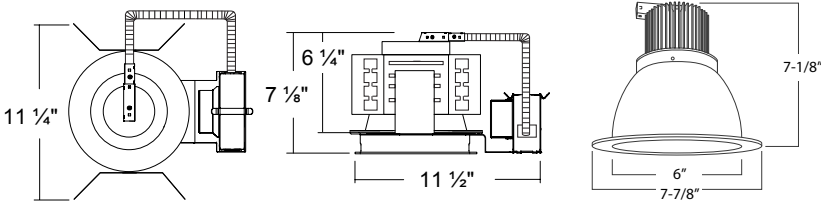
PROJECT: _____

MODEL #: _____

LOCATION: _____

CONTACT: _____

DIMENSIONS



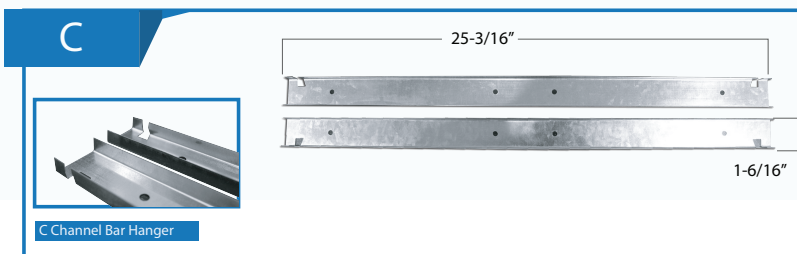
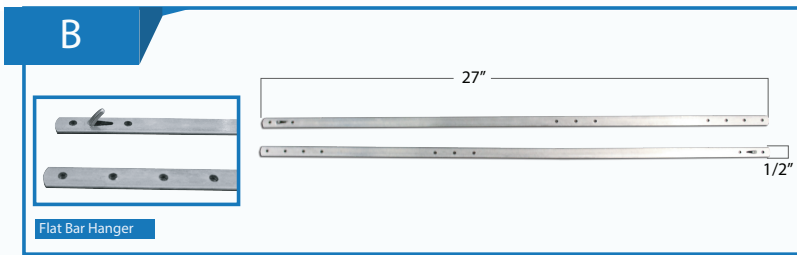
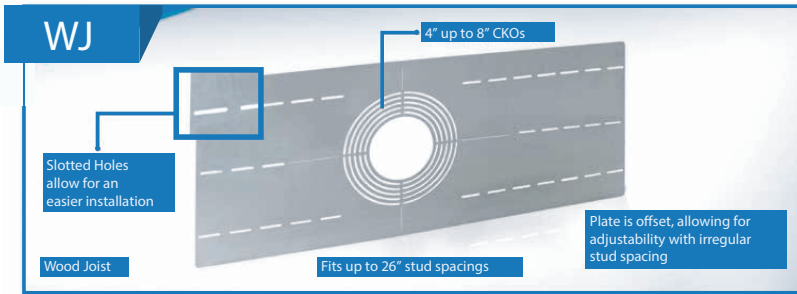
WATT/LUMENS CHART

	Wattage	2700K	3000K	3500K	4000K	5000K
LS07	9 W	660 lm	680 lm	700 lm	710 lm	730 lm
	12 W	860 lm	880 lm	910 lm	930 lm	960 lm
	18 W	1270 lm	1300 lm	1330 lm	1360 lm	1380 lm
	24W	1580 lm	1630 lm	1700 lm	1720 lm	1750 lm
	28W	1770 lm	1850 lm	2000 lm	2010 lm	1980 lm

	Watt	Lumens	CRI	Switch
LS2	29W	2340 lm	84+	Low
	39W	3000 lm	84+	Medium
	48W	3570 lm	84+	High
LS4	50W	4000 lm	84+	Low
	60W	4500 lm	84+	Medium
	70W	5100 lm	84+	High

Performance based on 3500K

FRAME ACCESSORIES



LIST OF COMPATIBLE DIMMERS

(120/277V 0-10 DIMMING)

MFR.	MODEL#	DIMMING RATE
Lutron	NFTV	1-100%
Lutron	NTSTV-DV	1-100%
Legrand	CD4FBLW	1-100%
Leviton	1P710-DL	1-100%