



# RBC6

6" BUILDERS PLUS LED COMMERCIAL  
FIXED WALL WASH REMODEL/RETROFIT

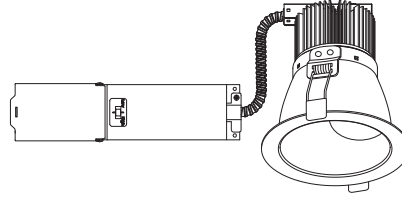
**PROJECT:** \_\_\_\_\_

**MODEL #:** \_\_\_\_\_

**LOCATION:** \_\_\_\_\_

**CONTACT:** \_\_\_\_\_

## DIMENSIONS



### USE OF PRODUCT

The 6" Builders Plus LED Commercial Fixed Wall Wash series is the ideal product for energy efficient lighting in Non-IC commercial applications. Features color temperature selectability and lumen selectability. Deep cone reflector designed for anti-glare purposes.

### BUILDERS PLUS FEATURES

Lumen Selectable:  
 LS1- 660 lm, 820 lm, 995 lm  
 LS2- 1120 lm, 1390 lm, 1750 lm  
 LS4- 2055 lm, 2555 lm, 3130 lm  
 Color Temperature Selectable: 3000K, 3500K, 4000K  
 Optical Lens: LS1(70° standard) LS2(75° standard) LS4(75° standard)  
 Color Rendering Index: 84+ CRI  
 LED Life: 50,000 Hours  
 Driver Info: 120-277V; 50/60 Hz  
 Operating Temperature: -30°C - 40°C  
 Warranty: 5 year limited warranty

### LED ENGINE

LED engine available in 3000K, 3500K, 4000K in 84+ CRI. Color temperature may be modified in field. Optional locking mechanism available. LED mounted to aluminum heat sink for maximum life output and thermal management.

### MOUNTING

Mounting clip attached to reflector for easy installation and ability to remove fixture from below the ceiling.

### DIMMING

LED driver accommodates 120-277V input with 0-10V dimming protocol. Fixture available in three selectable lumen packages. **LS1**(660 lm, 820 lm, 995 lm), **LS2**(1120 lm, 1390 lm, 1750 lm), **LS4**(2055 lm, 2555 lm, 3130 lm). Lumens may be modified in field or optional lumen locking mechanism available upon request.

### TRIM

Self-flanged spun aluminum reflector with frosted lens to shield direct view from LEDs. Reflector available in haze finish with white trim.

### EMERGENCY BATTERY

Optional emergency battery available for a minimum of 90 minutes with both integral or remote test switch in 800 delivered lumen.

### INSTALLATION

Non-IC housing. Insulation must be kept at least 3" away from fixture.

### LABELS/COMPLIANCE

-cUL Listed  
 -Energy Star  
 -Title 24  
 -Wet location

## ORDERING INFO

RBC6			UNV	W	H	W	FR
Series	Lumens	Color Temp.	Voltage	Aperture type	Reflector	Trim	Frame
RBC6 - 6" Builder Plus Commercial	<b>LS1<sup>1</sup></b> - Lumen Selectable (660, 820, 995 lm) <b>LL6</b> - Lumens Locked at 660 lm <b>LL8</b> - Lumens Locked at 820 lm <b>LL9</b> - Lumens Locked at 995 lm  <b>LS2<sup>2</sup></b> - Lumen Selectable (1120, 1390, 1750 lm) <b>LL11</b> - Lumens Locked at 1120 lm <b>LL13</b> - Lumens Locked at 1390 lm <b>LL17</b> - Lumens Locked at 1750 lm  <b>LS4<sup>3</sup></b> - Lumen Selectable (2055, 2555, 3130 lm) <b>LL20</b> - Lumens Locked at 2055 lm <b>LL25</b> - Lumens Locked at 2555 lm <b>LL31</b> - Lumens Locked at 3130 lm	<b>CTS</b> - Color Temperature Selectable (3000K, 3500K, 4000K) <b>CT30</b> - Locked at 3000K <b>CT35</b> - Locked at 3500K <b>CT40</b> - Locked at 4000K	UNV - 120-277V	W - Wall Wash	H - Haze	W - White	FR - Remodel/retrofit

### Notes

- Lumen selectable between 660, 820, 995 lm. Lumens may be modified in field.
- Lumen selectable between 1120, 1390, 1750 lm. Lumens may be modified in field.
- Lumen selectable between 2055, 2555, 3130 lm. Lumens may be modified in field.
- Compatible with LS4 module only.

### Options

- E18 - Emergency Battery with Integral Switch (800 Lumens)  
 ER8 - Emergency Battery with Remote Switch (800 Lumens)  
 E17<sup>4</sup> - Emergency Battery with Integral Switch (1700 Lumens)  
 ER17<sup>4</sup> - Emergency Battery with Remote Switch (1700 Lumens)



www.rayonlighting.com  
 info@rayonlighting.com

tel: 323.446.2626  
 fax: 323.446.2606

Specification and product availability  
 subject to change without notice

04/21

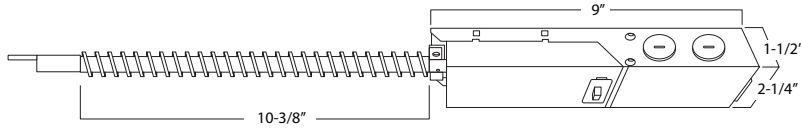
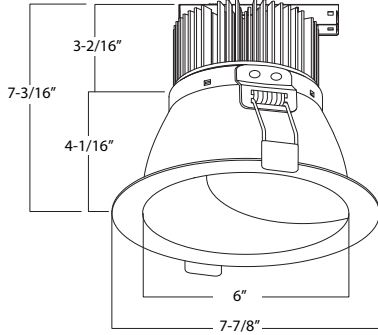
**PROJECT:** \_\_\_\_\_

**MODEL #:** \_\_\_\_\_

**LOCATION:** \_\_\_\_\_

**CONTACT:** \_\_\_\_\_

## DIMENSIONS



## WATT/LUMENS CHART

	Watt	Lumens	CRI	Switch
LS1	16W	660 lm	84+	Low
	20W	820 lm	84+	Medium
	25W	995 lm	84+	High
LS2	22W	1120 lm	84+	Low
	28W	1390 lm	84+	Medium
	36W	1750 lm	84+	High
LS4	39W	2055 lm	84+	Low
	50W	2555 lm	84+	Medium
	69W	3130 lm	84+	High

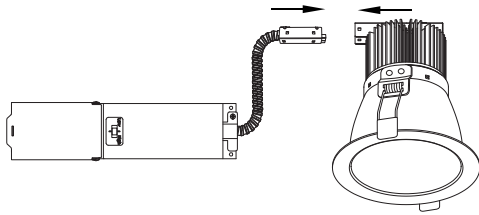
Performance based on 3500K

## LIST OF COMPATIBLE DIMMERS

(120/277V 0-10 DIMMING)

MFR.	MODEL#	DIMMING RATE
Lutron	NFTV	1-100%
Lutron	NTSTV-DV	1-100%
Legrand	CD4FBLW	1-100%
Leviton	1P710-DL	1-100%

## RETROFIT ASSEMBLY

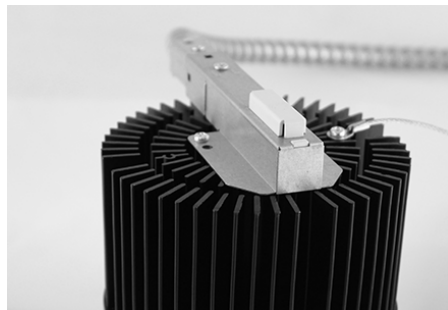


Driver with J-Box + Light Module + Reflector

## LUMEN AND COLOR TEMP. LOCK MECHANISM COVER



Lumen selectable locking mechanism cover



Color Temperature selectable locking mechanism cover