

PROJECT: _____

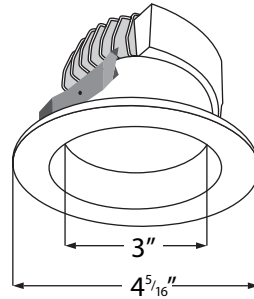
MODEL #: _____

LOCATION: _____

CONTACT: _____



DIMENSIONS



Use of Product

The Versatrim RFL3 Series is the ideal product for energy efficient lighting in existing, remodel, or new construction housings. This product may be used in hospitality, health care, commercial, retail, and residential applications. The Versatrim will reduce energy consumption, emits little heat, and reduces cooling loads for added costs savings. Approximately 75% in energy savings compared to incandescent light source.

Versatrim Features

- Watts: 10.5 W
- Lumens: 800 Lumens
- Voltage: (120V standard); 120-277V (with optional 0-10V dimming driver)
- Color Temperature: 2700K, 3000K, 3500K, or 4000K
- Color Rendering Index: 93+ CRI Typical
- SDCM: 2 Step binning
- R9 Value: 85
- LED Life: 50,000 hours
- LED Type: Cree LED for maximum light output
- Versatility: Interchangeable baffle, reflector, and trim ring in round and square.
- EM Battery: 90 min, 800 lumens only.
- Warranty: 5 Year Limited Warranty.
- Wet Location Certified.

LED Driver

Durable 120V dimmable driver provides high power factor with the optimum thermal management to prevent damage caused by high temperature. Driver protections include: output open load, over-current and short circuit, and over temperature with auto recovery.

Dimming

Available in 8 driver selections. Standard Triac/ELV, 120V. (018) 0-10V dimming in 800 lumens, 120-277V. (PEQ0) Lutron Hi-Lume Premier Ecosystem 0.1% w/soft on, fade to black dimming, 120-277V. (LDE1) Lutron Hi-Lume 1% Ecosystem with soft on, fade to black dimming, 120-277V. (LTE) Hi-Lume 1% 2-wire, 120V (L3DA) Hi-Lume 1% EcoSystem/3-Wire L3D Driver (EEI) eldoLED Eco 1% Dim (0-10V), 120-277V. (EDIO) eldoLED Solo 0.1% Dim(0-10V), 120-277V. (EDID) eldoLED Solo 0.1% Dim(DALI), 120-277V.

Electrical Connection

LED module quick connect allows easy connection to Rayon LED housing. Optional edison screw base or GU24 adaptor available for retrofit applications.

Emergency Battery

Optional emergency battery with up to 90 minute illumination time. 800 lumens only.

Mounting

Torsion springs supplied for convenient mounting to existing, remodel, or new construction housing.

Module Mechanics

The RFL3 Series is constructed of durable heat sink, baffle or reflector, trim ring, diffused lens and Cree LEDs for optimum performance. Interchangeable round or square baffle, reflector, and trim ring are designed for convenient color selection and replacement in the field. Diffused, polycarbonate, impact-resistant lens provides for even light output, glare control, and conceals LEDs from view

Labels/Compliance

- CSA Classified for wet location
- LM79 and LM80
- Can be used for state of California Title 24 compliance
- JAB Certified



ORDERING INFO

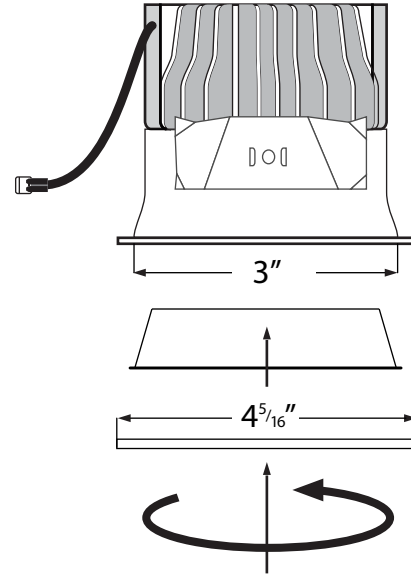
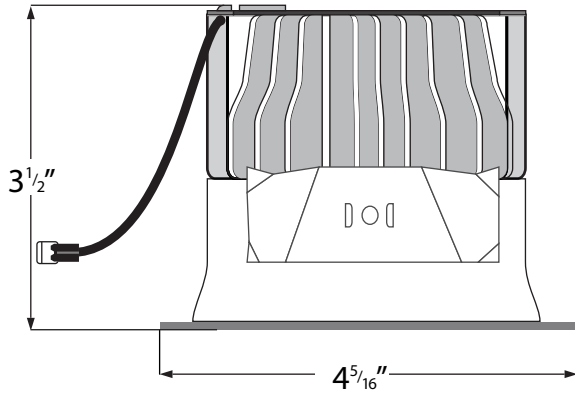
RFL3	8L				
Series	Lumens	Color Temp.	Dimming	Baffle or Reflector	Trim
RFL3	8L - 800 Lumens (120V)	27 - 2700K 30 - 3000K 35 - 3500K 40 - 4000K	Leave blank - Triac/ELV 018 ¹ - 0-10V Dimming (800 lumens) PEQ0 ¹ - Lutron Hi-Lume Premier Ecosystem 0.1% w/soft on, fade to black dimming LDE1 ¹ - Lutron Hi-Lume 1% Ecosystem with soft on, fade to black dimming LTE ^{1,2} - Hi-Lume 1% 2-wire L3DA ¹ - Hi-lume 1% EcoSystem/3-Wire L3D Driver EEI ^{1,3} - eldoLED Eco 1% Dim (0-10V) EDIO ^{1,3} - eldoLED Solo 0.1% Dim (0-10V) EDID ^{1,3} - eldoLED Solo 0.1% Dim (DALI)	ROUND 3BLW - White 3RLW - White 3BLSN - Satin Nickel 3RLCH - Chrome 3BLC - Copper 3RLSN - Satin Nickel 3BLB - Black 3RLC - Copper 3BLBZ - Bronze 3RLB - Black 3RLBZ - Bronze 3RLH - Haze 3RLCX - Custom	3TLW - White 3TLSN - Satin Nickel 3TLC - Copper 3TLB - Black 3TLBZ - Bronze 3TLH - Haze 3TLCX - Custom
				SQUARE 3SBLW - White 3SRLW - White 3SBLB - Black 3SRLB - Black 3SRLH - Haze 3SRLSN - Satin Nickel 3SRLCH - Chrome 3SRLBZ - Bronze 3SRLCX - Custom	3STLW - White 3STLB - Black 3STLH - Haze 3STLSN - Satin Nickel 3STLBZ - Bronze 3STLCX - Custom

Options

1. Requires dedicated housing.
 2. 120V only.
 3. Must specify logarithmic or linear eldoLED driver.

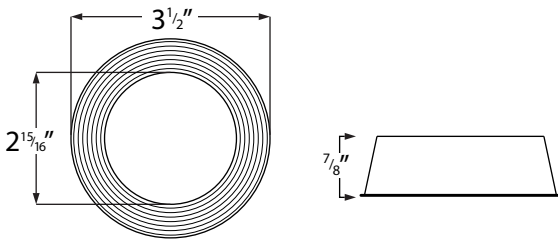
- SBA - Screw base adapter (Included)
- G-24 - GU24 adapter
- 277SDT¹ - 277V Step down transformer
- 347SDT¹ - 347V Step down transformer
- EM¹ - Emergency back-up

NEW CONSTRUCTION/REMODEL DIMENSIONS

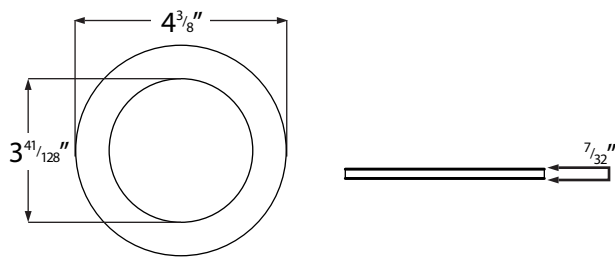


Round

Baffle/Reflector

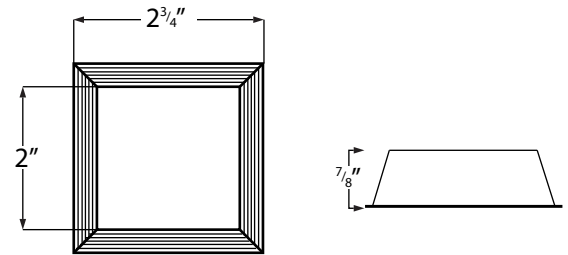


Trim

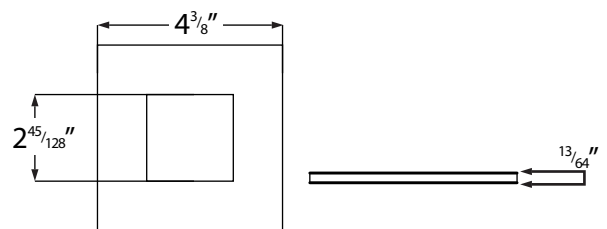


Square

Baffle/Reflector



Trim



3" LED Recessed Module

PROJECT: _____

MODEL #: _____

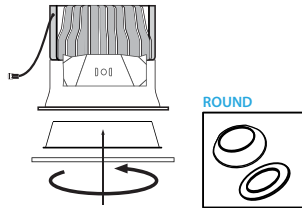
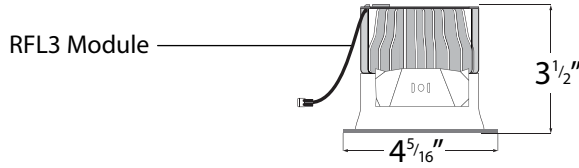
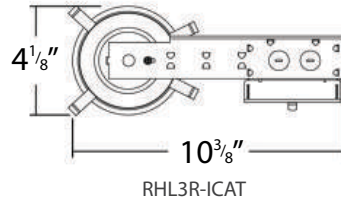
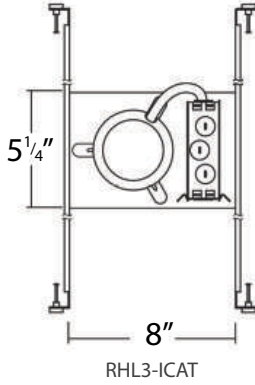
LOCATION: _____

CONTACT: _____

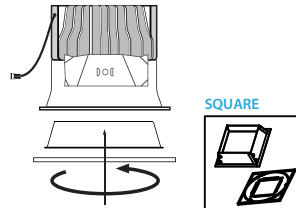
COMPATIBLE RAYON 3" HOUSING

COMPATIBLE RAYON 3" HOUSINGS

- RHL3-ICAT - 3" IC Air Tight New Construction LED HOUSING
- RHL3R-ICAT - 3" IC Air Tight Remodel LED HOUSING



OR





RHL3-ICAT

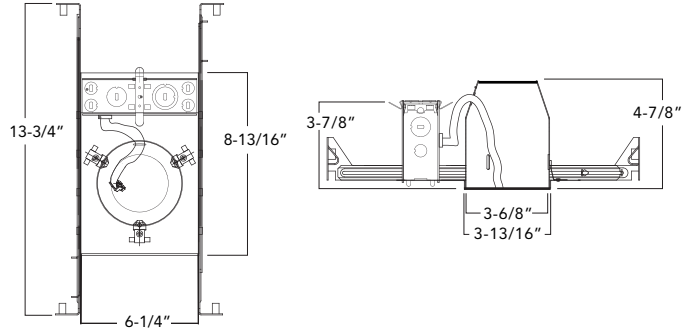
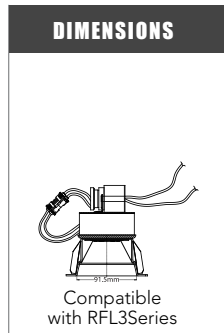
3" IC Air-tight New Construction LED Housing

PROJECT: _____

MODEL #: _____

LOCATION: _____

CONTACT: _____



USE OF PRODUCT

The RHL3-ICAT is the ideal product for general purpose recessed LED housing for residential, commercial, hospitality, health care, restaurant and retail applications. This product is compatible with the Versatrim RFL3 Series in round or square in various baffle, reflector, and trim ring color selections to achieve a particular look.

CONSTRUCTION

- Minimum Clearance "IC" or insulated ceiling housings are rated for direct contact with insulation. No minimum clearance is required.
- CEILING THICKNESS Up to 1 1/4"
- BAR HANGERS Bar Hangers are adjustable from 13-5/8" to 25" and can be repositioned to 90°.
- JUNCTION BOX Junction box is listed for through branch circuit wiring and contains seven 7/8 knockouts and four ROMEX pryouts with strain relief.
- PLASTER FRAME Galvanized steel construction
- CONNECTION Quick connect provided for easy connection to Versatrim RFL4 Series LED module to meet non-screw base socket requirements per California Title 24.

DIMMING

Available in 10 driver selections. Standard Triac/ELV, 120V. (018) 0-10V dimming in 800 lumens, 120-277V. (PEQ0) Lutron Hi-Lume Premier Ecosystem 0.1% w/soft on, fade to black dimming, 120-277V. (PEQ1) Lutron Hi-Lume Premier 1% w/soft on, fade to black dimming, 120-277V. (LDE1) Lutron Hi-Lume 1% Ecosystem with soft on, fade to black dimming, 120-277V. (LDE5) Lutron Hi-Lume 5% Ecosystem, 120-277V. (LTE) Hi-Lume 1% 2-wire, 120V (L3DA) Hi-lume 1% EcoSystem/3-Wire L3D Driver (EEI) eldoLED Eco 1% Dim (0-10V), 120-277V. (EDIO) eldoLED Solo 0.1% Dim(0-10V), 120-277V. (EDID) eldoLED Solo 0.1% Dim(DALI), 120-277V.

EMERGENCY

Optional emergency back-up may be ordered separately. Unit operates for 90 minutes with LED modules up to 20 Watts and is Damp location rated, 120/277AC operational.

MODULE COMPATIBILITY

RHL3-ICAT is compatible with the Versatrim RFL3 Series in round or square in various baffle, reflector, and trim ring color selections to achieve appearance of choice.

LABELS/COMPLIANCE

cUL listed for Wet location
Certified under ASTM-283 for Air-Tight construction
Title 24 Compliant



ORDERING INFO

RHL3-ICAT		
Series	Dimming	Options
RHL3-ICAT - 3" IC Air-Tight New Construction LED Housing	Leave blank - Triac/ELV 018 - 0-10V Dimming (800 lumens) PEQ0 - Lutron Hi-Lume Premier Ecosystem 0.1% w/soft on, fade to black dimming PEQ1 - Lutron Hi-lume Premier 1% w/soft on, fade to black dimming LDE1 - Lutron Hi-Lume 1% Ecosystem with soft on, fade to black dimming LDE5 - Lutron Hi- Lume 5% Ecosystem LTE¹ - Hi-Lume 1% 2-wire L3DA - Hi-lume 1% EcoSystem/3-Wire L3D Driver EEI² - eldoLED Eco 1% Dim (0-10V) EDIO² - eldoLED Solo 0.1% Dim (0-10V) EDID² - eldoLED Solo 0.1% Dim (DALI)	EM - Emergency battery 277SDT - 277V Step down transformer 347SDT - 347V Step down transformert

1. 120V only.
2. Must specify logarithmic or linear eldoLED diver.



www.rayonlighting.com
info@rayonlighting.com

tel: 323.446.2626
fax:323.446.2606

Specification and product availability subject to change without notice

3" IC Air-Tight New Construction LED Housing



RHL3R-ICAT

3" IC Air-tight Remodel LED Housing

PROJECT: _____

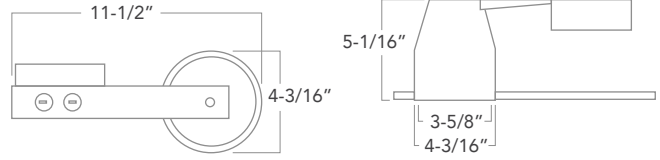
MODEL #: _____

LOCATION: _____

CONTACT: _____



DIMENSIONS



USE OF PRODUCT

The RHL3R-ICAT is the ideal product for general purpose recessed LED housing for residential, commercial, hospitality, health care, restaurant and retail applications. This product is compatible with the Versatrim RFL3 Series in round or square in various baffle, reflector, and trim ring color selections to achieve a particular look.

CONSTRUCTION

- Minimum Clearance "IC" or insulated ceiling housings are rated for direct contact with insulation. No minimum clearance is required.
- CEILING THICKNESS Up to 1 1/4"
- BAR HANGERS Bar Hangers are adjustable from 13-5/8" to 25" and can be repositioned to 90°.
- JUNCTION BOX Junction box is listed for through branch circuit wiring and contains seven 7/8 knockouts and four ROMEX pryouts with strain relief.
- PLASTER FRAME Galvanized steel construction
- CONNECTION Quick connect provided for easy connection to Versatrim RFL3 Series LED module to meet non-screw base socket requirements per California Title 24.

DIMMING

Available in 10 driver selections. Standard Triac/ELV, 120V. (018) 0-10V dimming in 800 lumens, 120-277V. (PEQ0) Lutron Hi-Lume Premier Ecosystem 0.1% w/soft on, fade to black dimming, 120-277V. (PEQ1) Lutron Hi-Lume Premier 1% w/soft on, fade to black dimming, 120-277V. (LDE1) Lutron Hi-Lume 1% Ecosystem with soft on, fade to black dimming, 120-277V. (LDES) Lutron Hi-Lume 5% Ecosystem, 120-277V. (LTE) Hi-Lume 1% 2-wire, 120V (L3DA) Hi-Lume 1% EcoSystem/3-Wire L3D Driver (EEI) eldoLED Eco 1% Dim (0-10V), 120-277V. (EDIO) eldoLED Solo 0.1% Dim(0-10V), 120-277V. (EDID) eldoLED Solo 0.1% Dim(DALI), 120-277V.

EMERGENCY

Optional emergency back-up may be ordered separately. Unit operates for 90 minutes with LED modules up to 20 Watts and is Damp location rated, 120/277AC operational.

MODULE COMPATIBILITY

RHL3R-ICAT is compatible with the Versatrim RFL3 Series in round or square in various baffle, reflector, and trim ring color selections to achieve appearance of choice.

LABELS/COMPLIANCE

cUL listed for Wet location
 Certified under ASTM-283 for Air-Tight
 Construction Title 24 Compliant



ORDERING INFO

RHL3R-ICAT		
Series	Dimming	Options
RHL3R-ICAT - 3" IC Air-Tight Remodel LED Housing	Leave blank - Triac/ELV 018 - 0-10V Dimming (800 lumens) PEQ0 - Lutron Hi-Lume Premier Ecosystem 0.1% w/soft on, fade to black dimming PEQ1 - Lutron Hi-lume Premier 1% w/soft on, fade to black dimming LDE1 - Lutron Hi-Lume 1% Ecosystem with soft on, fade to black dimming LDES - Lutron Hi- Lume 5% Ecosystem LTE ¹ - Hi-Lume 1% 2-wire L3DA - Hi-lume 1% EcoSystem/3-Wire L3D Driver EEI ¹ - eldoLED Eco 1% Dim (0-10V) EDIO ² - eldoLED Solo 0.1% Dim (0-10V) EDID ² - eldoLED Solo 0.1% Dim (DALI)	EM - Emergency battery 277SDT - 277V Step down transformer 347SDT - 347V Step down transformert

1. 120V only.
 2. Must specify logarithmic or linear eldoLED driver.

3" IC Air-Tight Remodel LED Housing



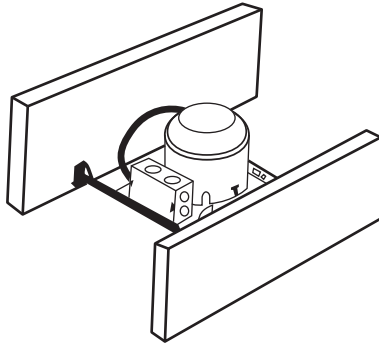
www.rayonlighting.com
 info@rayonlighting.com

tel: 323.446.2626
 fax:323.446.2606

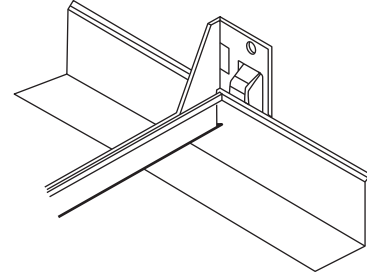
Specification and product availability
 subject to change without notice

NEW CONSTRUCTION INSTALLATION

Drawing 1



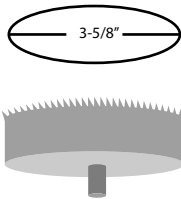
Drawing 2



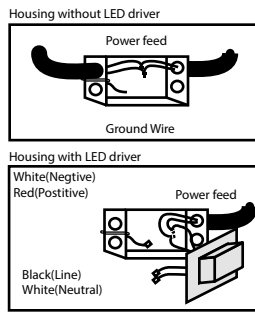
1. Fastening fixture to ceiling

Joist-type ceiling-extend bar hangers to fit between joists. Position fixture temporarily by hammering "Nail" into joists. (Drawing 1), then secure permanently with nails. Hangers should be level with bottom of joists. Suspended (T-bar) ceilings-extend bar hangers 1" past T-bars, then rest fixture on T-bars. Secure fixture to T-bars with wire (drawing 2)

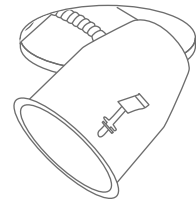
REMODEL INSTALLATION



Carefully cut a hole of 3-5/8" diameter into the ceiling.



Pull supply wire through opening and make electrical connections. Refer to "electrical connections" section.



Insert the housing in ceiling cutout as illustrated.

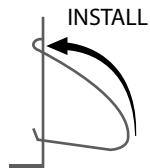


Fig.1

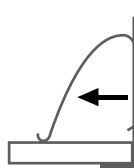


Fig.2

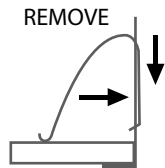
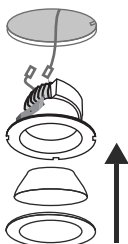


Fig.3

With clips seated properly in can (fig.1)
 Insert remodel housing into ceiling, junction box first.
 Hold fixture up against ceiling and push chip through housing slot (fig. 2)
 To lock clip in place push flat portion against side of can (fig. 2)
 To release pull down on clip (fig. 3)

TRIM INSTALLATION



Connect the male(module) into the female(Can) connector. Insert baffle/reflector into the module use trim to secure.

PROJECT: _____

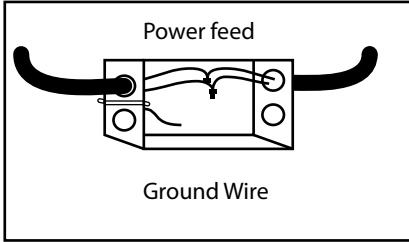
MODEL #: _____

LOCATION: _____

CONTACT: _____

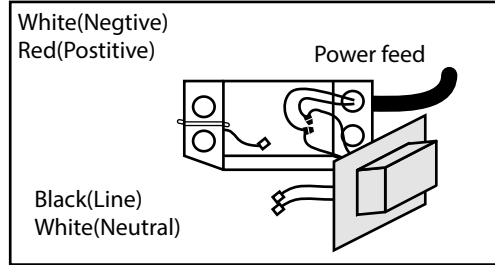
ELECTRICAL CONNECTION

1. Housing without LED driver



- Connect-
- Black - Supply Voltage
 - White - Neutral
 - Green Ground J-box wire -copper or green grounding wire

2. Housing with LED driver



Junction box contains two wires. A black(hot+) and a white(neutral-) which must be spliced to the house current feed wire. Make sure to splice white to white and colored or black to black. After splicing has been completed, tuck splices carefully into junction box and replace cover(drawings 3)

3. Grounding
for Romex or 3 wire BX. flexible armour cable instadllations attach supply ground-lead(green) to bare copper groundlead or ground screw in wiring box mounted on plaster frame. Local electrical codes should be consulted to determine acceptable installation-conduit Romex, or flexible Armour cable.

DIMMER SWITCH WIRING

