

# PRIME

## PRIME 6" LED ARCHITECTURAL ROUND FLANGELESS WALL WASH

JOB INFORMATION	TYPE:
	CATALOG NO.
	PROJECT NAME:
	COMMENTS:
	PREPARED BY:

### USE OF PRODUCT

The 6" Prime Wall Wash Series Downlight is the ideal product for energy efficient lighting in commercial and residential applications where wall washing is required. Available in an assortment of color temperatures, optics, lumen outputs, and dimmable driver options.

### PRIME FEATURES

Color Temperature: 2700K, 3000K, 3500K, or 4000K  
SDCM: 2 step binning  
Color Rendering Index: 93+ CRI  
Optical Lens: 18°, 30°, 50°, 80°  
Trim: Die cast or anodized  
LED Life: 50,000 Hours  
LED Type: Cree LED  
Driver Info: 120-277V, 50/60 Hz, PF>0.9, THD<0.20  
Warranty: 5 year limited warranty

### LED ENGINE

LED engine available with CREE LEDs in 2700K, 3000K, 3500K, or 4000K in standard 93+ CRI. 2 Step MacAdam ellipse allows for color consistency between fixtures. LED mounted to aluminum heat sink for maximum life output and thermal management. Light engine provides a quick disconnect with locking strain relief to housing.

### FRAME CONSTRUCTION

Constructed from 16 gauge heavy duty powder coated cold rolled steel frame with a large access junction box.

### ADJUSTMENT

- Light engine locked at 25° tilt, consult factory for other tilt setting.
- Housing provides for 360° locking rotation
- Aperture collar adjusts 15°± horizontally within frame for square ceiling alignment
- Collar notch allows for easy alignment for square applications.
- Aperture collar compatible up to 1½" ceiling thickness.
- Accommodation for 2" or 3" ceiling thickness available upon request.

### OPTICS

Field replaceable optical lens available in 18°, 30°, 50°, and 80°. Easily achieve narrow spot to wide flood beam pattern. Option for frosted, honeycomb, or solite filter (2 maximum).

### DIMMING

Available in 8 driver selections. **(ID)** Standard all-inclusive ELV, Triac, and 0-10V dimming driver called Intelligent Drive, 120-277V. **(PEQ0)** Lutron Hi-Lume Premier Ecosystem 0.1% w/soft on, fade to black dimming, 120-277V. **(LDE1)** Lutron Hi-Lume 1% Ecosystem with soft on, fade to black dimming, 120-277V. **(LTE)** Lutron Hi-Lume 1% 2-wire, 120V. **(L3DA)** Hi-lume 1% EcoSystem/3-Wire L3D Driver **(EEI)** eldoLED Eco 1% Dim (0-10V), 120-277V. **(EDIO)** eldoLED Solo 0.1% Dim(0-10V), 120-277V. **(EDID)** eldoLED Solo 0.1% Dim(DALI), 120-277V.

### THERMAL MANAGEMENT

Ambient temperatures at fixture location should not exceed -20° to 40°C.

### EMERGENCY BATTERY

Optional emergency battery available for a minimum of 90 minutes with both integral or remote test switch in 800 or 1700 delivered lumens.

### TRIM OPTIONS

- All trims are self flanged die cast or anodized
- Trim includes standard frosted acrylic diffuser
- Optical Enhancer reflects light evenly across the diffusion lens
- Trims available in round or square in an assortment of standard or made to order finishes

### LABELS/COMPLIANCE/WARRANTY

- CSA Listed for US and Canada
- Energy Star
- Dry/Damp/Wet location rated.
- Title 24, JA8 Compliant
- 5 Year limited warranty
- Wet Location



## HOUSING ORDERING INFORMATION

RPA6						
Series	Lumens	Color Temp	Voltage	Dimming	Optical Lens <sup>9</sup>	Filter
PRIME SERIES	8L <sup>1</sup> - 835 lm 9L <sup>1</sup> - 940 lm 12L <sup>1</sup> - 1270 lm 16L <sup>1</sup> - 1685 lm 19L <sup>1</sup> - 1975 lm 24L <sup>1</sup> - 2460 lm 27L <sup>1</sup> - 2795 lm 30L - 3025 lm	27 - 2700K 30 - 3000K 35 - 3500K 40 - 4000K	UNV - 120-277V 120 - 120V 347 <sup>2</sup> - 347V	ID <sup>3</sup> - Standard all-inclusive ELV, Triac, and 0-10V dimming driver (Intelligent Drive) PEQ0 <sup>4</sup> - Lutron Hi-Lume Premier Ecosystem 0.1% w/soft on, fade to black dimming LDE1 <sup>5,6</sup> - Lutron Hi-Lume 1% Ecosystem with soft on, fade to black dimming LTE <sup>5,6</sup> - Lutron Hi-Lume 1% 2-wire L3DA <sup>6,7,8</sup> - Hi-lume 1% EcoSystem/3-Wire L3D Driver EEI <sup>6,7,8</sup> - eldoLED Eco 1% Dim (0-10V) EDIO <sup>6,7,8</sup> - eldoLED Solo 0.1% Dim (0-10V) EDID <sup>6,7,8</sup> - eldoLED Solo 0.1% Dim (DALI)	18 - 18° 30 - 30° 50 - 50° 80 - 80°	None - Leave blank F - Frosted filter H - Honey comb S - Solite filter

Housing Type	Aperture	Frame Accessories	Collar	Option
NC - Non-IC New Construction IC <sup>1</sup> - IC New Construction	RLWP - Round Flangeless Wall Wash Plaster RLWM - Round Flangeless Wall Wash Millwork	C - C Channel bar hanger B - Flat bar hanger WJ - Wood Joist	Blank - 1.5" Depth 20 - 2" Depth 30 - 3" Depth MTO - Made to order	EI8 - Emergency battery with integral switch(800 Lumens) ER8 - Emergency battery with remote switch (800 Lumens) EI17 - Emergency battery with integral switch(1700 Lumens) ER17 - Emergency battery with remote switch (1700 Lumens) FCJS-E - Vive wireless individual controller(Ecosystem) FCJS-0 - Vive wireless individual controller(0-10) CP <sup>10</sup> - Chicago Plenum

## TRIM ORDERING INFORMATION

Aperture Size / Shape / Trim Type / Style	Bevel Finish	Options
6RLA - 6" Round Flangeless Accent	W - White B - Black H - Haze S - Specular Clear WE - Wheat MTO - Made to order	WL - Wet location

1. Compatible with IC new construction housing.
2. Step down transformer required.
3. Intelligent Drive is the standard driver.
4. Driver must not exceed 1270 lm
5. 120V only.
6. Inapplicable to 3025 Lumen offering.
7. Must specify logarithmic or linear eldoLED diver.
8. Confirm dimming curve: linear or logarithmic.
9. Without standard frosted acrylic diffuser.
10. Compatible up to 1685 lumens.

# PRIME

PRIME 6" LED ARCHITECTURAL  
ROUND FLANGELESS WALL WASH

JOB INFORMATION	TYPE:
	CATALOG NO.:
	PROJECT NAME:
	COMMENTS:
	PREPARED BY:

6" PRIME WALL WASH

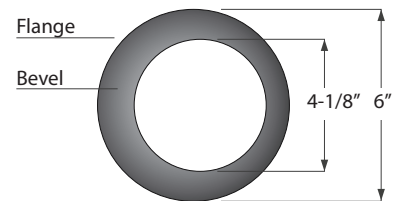
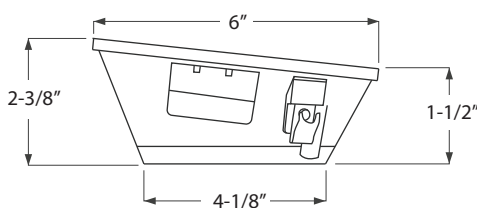
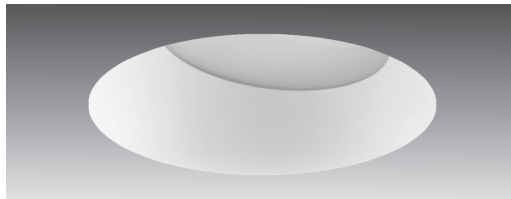
## LUMEN CHART

Wattage	Delivered Lumens	Voltage	CRI
11W	835 Lm	120-277V	93+
16W	940 Lm	120-277V	93+
20W	1270 Lm	120-277V	93+
30W	1685 Lm	120-277V	93+
31W	1975 Lm	120-277V	93+
38W	2460 Lm	120-277V	93+
45W	2795 Lm	120-277V	93+
58W	3025 Lm	120-277V	93+

\*Above chart, ordering information, and IES File name reflect delivered lumens based 3000K and 30° optical lens.  
\*\*Lumens will vary based on CCT, optical lens, and bevel finish.

## DIMENSION

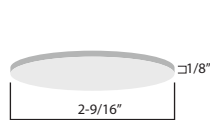
Trim Details



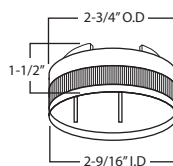
1 PIECE DIE CAST

## LED HOLDER & FILTER DIMENSION

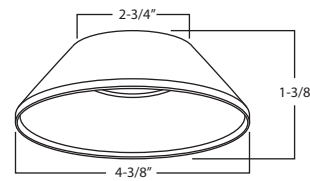
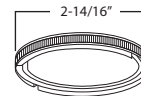
LED Holder and Filter



Filter



LED Holder



Light Enhancer

# PRIME

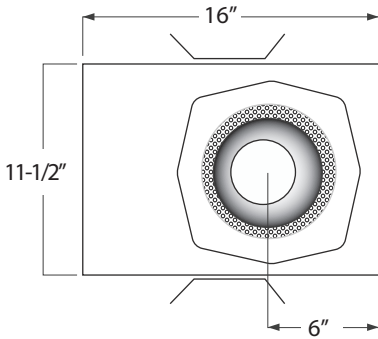
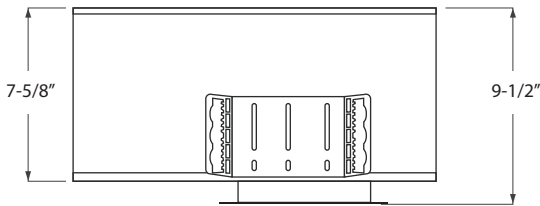
PRIME 6" LED ARCHITECTURAL  
ROUND FLANGELESS WALL WASH

JOB INFORMATION	TYPE:
	CATALOG NO.:
	PROJECT NAME:
	COMMENTS:
	PREPARED BY:

6" PRIME WALL WASH

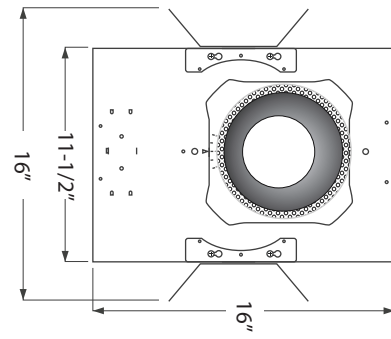
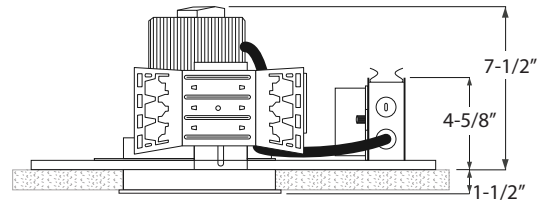
## HOUSING DIMENSION

IC Housing Details

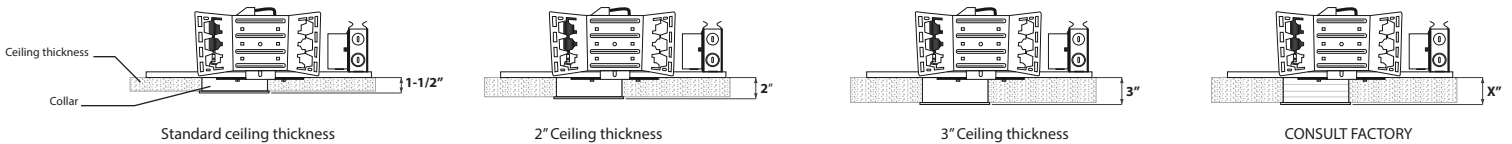


Ceiling Cut-out: 6-3/8"  
Maximum Ceiling Thickness: 1-1/2"  
Minimum Ceiling Thickness: 1/2"  
Consult factory for custom ceiling thickness

Non-IC Housing Details

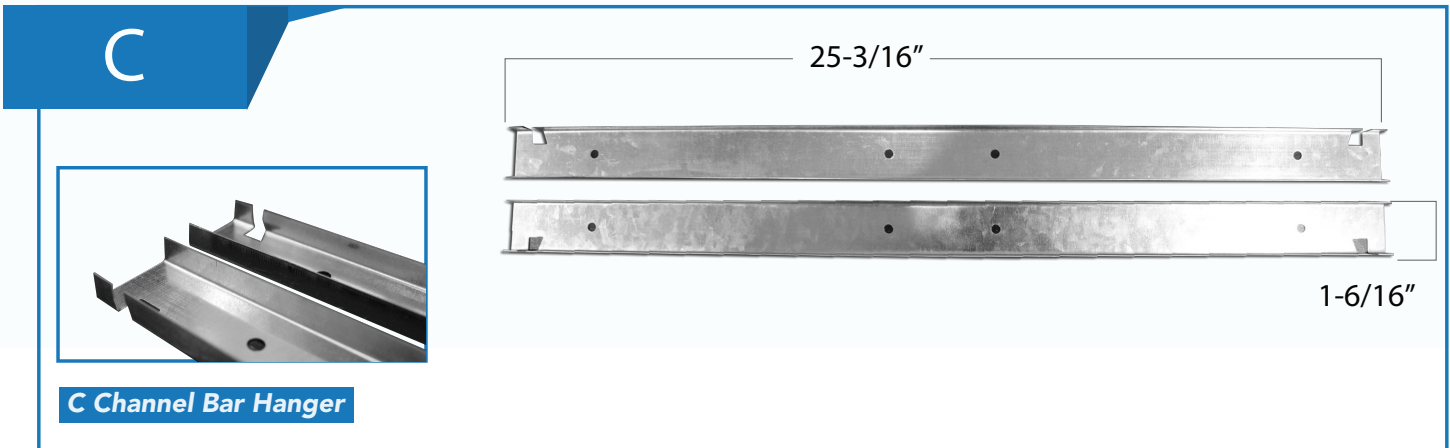
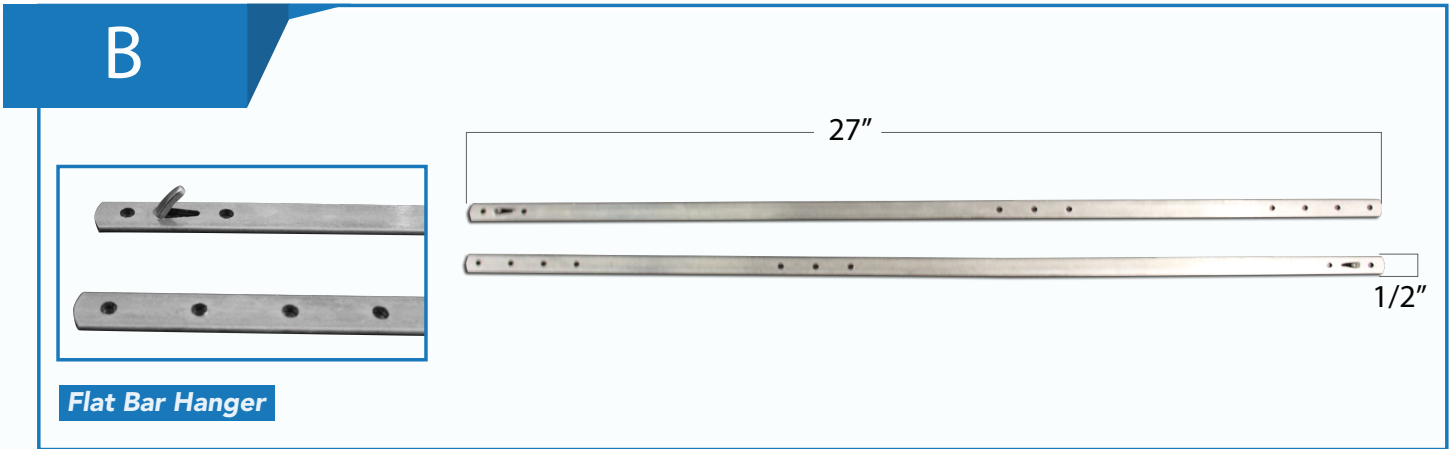
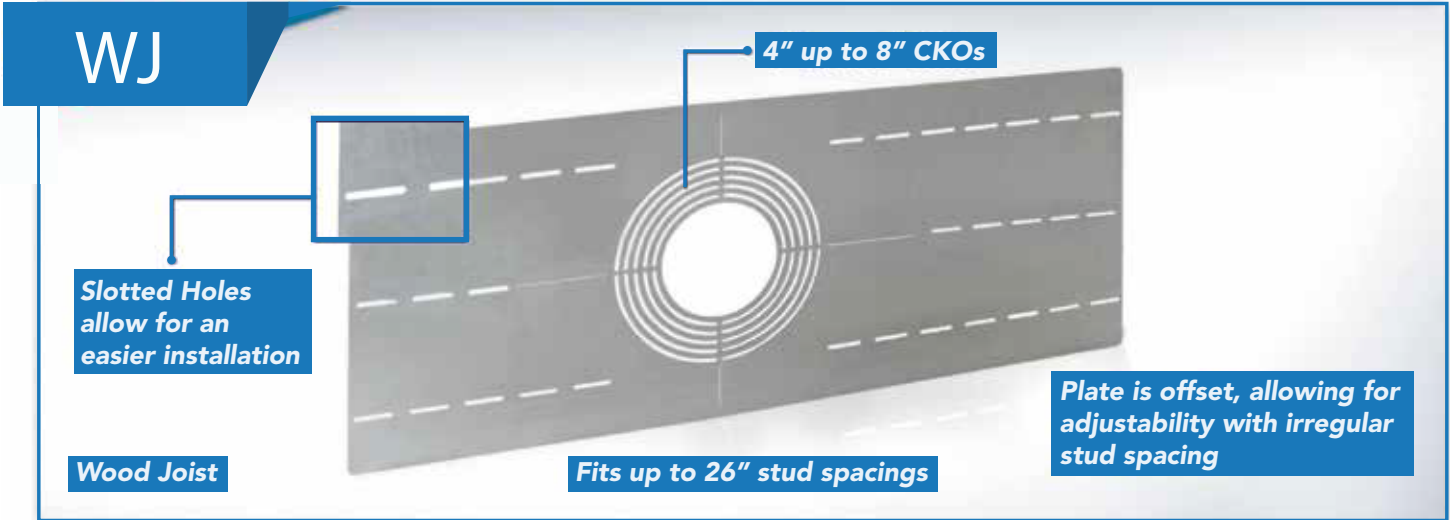


## COLLAR DEPTH PER CEILING THICKNESS



# PRIME

PRIME 6" LED ARCHITECTURAL  
ROUND FLANGELESS WALL WASH



# PRIME

PRIME 6" LED ARCHITECTURAL  
ROUND FLANGELESS WALL WASH

6" PRIME WALL WASH

## AT-A-GLANCE TECHNICAL INFORMATION

### RPA - 8L 18° BEAM

TEST DATE 2020-07-27  
SERIES RPA6-8L-30K-18°-RFD  
LUMENS 775 LM  
WATTS 11.86 W  
CCT 3000K

Zone	Lumens	%Lamp	%Luminaire
0-30	274.3	35.4%	35.5%
0-40	564.3	72.8%	73%
0-60	737.8	95.2%	95.4%
60-90	35.6	4.6%	4.6%
0-90	773.3	99.8%	100%

Zone Lumen Summary

### RPA - 8L 30° BEAM

TEST DATE 2020-07-27  
SERIES RPA6-8L-30K-30°-RFD  
LUMENS 834.6 LM  
WATTS 11.86 W  
CCT 3000K

Zone	Lumens	%Lamp	%Luminaire
0-30	305.5	36.6%	36.6%
0-40	596.7	71.5%	71.6%
0-60	796.9	95.5%	95.5%
60-90	36.8	4.4%	4.4%
0-90	833.6	99.9%	100%

Zone Lumen Summary

### RPA - 8L 60° BEAM

TEST DATE 2020-07-27  
SERIES RPA6-8L-30K-60°-RFD  
LUMENS 722.5 LM  
WATTS 11.86 W  
CCT 3000K

Zone	Lumens	%Lamp	%Luminaire
0-30	309.5	42.8%	42.6%
0-40	521.9	72.2%	72.3%
0-60	687.7	95.2%	95.3%
60-90	34.2	4.7%	4.7%
0-90	721.9	99%	100%

Zone Lumen Summary

### RPA - 8L 80° BEAM

TEST DATE 2020-07-27  
SERIES RPA6-8L-30K-80°-RFD  
LUMENS 628.2 LM  
WATTS 11.86 W  
CCT 3000K

Zone	Lumens	%Lamp	%Luminaire
0-30	291.9	46.5%	46.5%
0-40	459.1	73.1%	73.1%
0-60	596.6	95%	95%
60-90	31.7	5%	5%
0-90	628.3	100%	100%

Zone Lumen Summary

### RPA - 9L 18° BEAM

TEST DATE 2020-07-27  
SERIES RPA6-9L-30K-18°-RFD  
LUMENS 840 LM  
WATTS 16.00 W  
CCT 3000K

Zone	Lumens	%Lamp	%Luminaire
0-30	346.0	41.2%	41.2%
0-40	539.2	64.2%	64.2%
0-60	781.5	93%	93.1%
60-90	58.1	6.9%	6.9%
0-90	839.6	100%	100%

Zone Lumen Summary

### RPA - 9L 30° BEAM

TEST DATE 2020-07-27  
SERIES RPA6-9L-30K-30°-RFD  
LUMENS 939.1 LM  
WATTS 16.00 W  
CCT 3000K

Zone	Lumens	%Lamp	%Luminaire
0-30	372.8	39.7%	39.7%
0-40	590.8	62.9%	62.9%
0-60	873.7	93%	93.1%
60-90	65.0	6.9%	6.9%
0-90	938.6	100%	100%

Zone Lumen Summary

### RPA - 9L 60° BEAM

TEST DATE 2020-07-27  
SERIES RPA6-9L-30K-60°-RFD  
LUMENS 780 LM  
WATTS 16.00 W  
CCT 3000K

Zone	Lumens	%Lamp	%Luminaire
0-30	309.7	39.7%	39.7%
0-40	488.3	62.6%	62.6%
0-60	724.1	92.8%	92.9%
60-90	55.6	7.1%	7.1%
0-90	779.6	100%	100%

Zone Lumen Summary

### RPA - 9L 80° BEAM

TEST DATE 2020-07-27  
SERIES RPA6-9L-30K-80°-RFD  
LUMENS 688.4 LM  
WATTS 16.02 W  
CCT 3000K

Zone	Lumens	%Lamp	%Luminaire
0-30	281.0	40.8%	40.8%
0-40	436.9	63.5%	63.5%
0-60	639.0	92.8%	92.9%
60-90	49.2	7.1%	7.1%
0-90	688.1	100%	100%

Zone Lumen Summary

[CLICK HERE OR VISIT PRODUCT PAGE FOR COMPREHENSIVE TECHNICAL INFORMATION](#)

# PRIME

PRIME 6" LED ARCHITECTURAL  
ROUND FLANGELESS WALL WASH

6" PRIME WALL WASH

## AT-A-GLANCE TECHNICAL INFORMATION

### RPA - 12L 18° BEAM

TEST DATE 2020-07-27  
SERIES RPA6-12L-30K-18°-RFD  
LUMENS 1196.6 LM  
WATTS 20.48 W  
CCT 3000K

Zone	Lumens	%Lamp	%Luminaire
0-30	420.5	35.1%	35.2%
0-40	864.8	72.3%	72.4%
0-60	1,137.7	95.1%	95.3%
60-90	56.4	4.7%	4.7%
0-90	1,194.1	99.8%	100%

Zone Lumen Summary

### RPA - 12L 30° BEAM

TEST DATE 2020-07-27  
SERIES RPA6-12L-30K-30°-RFD  
LUMENS 1268.6 LM  
WATTS 20.49 W  
CCT 3000K

Zone	Lumens	%Lamp	%Luminaire
0-30	446.3	35.2%	35.2%
0-40	891.7	70.3%	70.4%
0-60	1,208.1	95.2%	95.3%
60-90	59.2	4.7%	4.7%
0-90	1,267.3	99.9%	100%

Zone Lumen Summary

### RPA - 12L 60° BEAM

TEST DATE 2020-07-27  
SERIES RPA6-12L-30K-60°-RFD  
LUMENS 1145.7 LM  
WATTS 20.48 W  
CCT 3000K

Zone	Lumens	%Lamp	%Luminaire
0-30	486.8	42.5%	42.5%
0-40	822.8	71.8%	71.9%
0-60	1,090.8	95.2%	95.3%
60-90	54.0	4.7%	4.7%
0-90	1,144.8	99%	100%

Zone Lumen Summary

### RPA - 12L 80° BEAM

TEST DATE 2020-07-27  
SERIES RPA6-12L-30K-80°-RFD  
LUMENS 997.1 LM  
WATTS 20.51 W  
CCT 3000K

Zone	Lumens	%Lamp	%Luminaire
0-30	459.8	46.1%	46.1%
0-40	724.9	72.7%	72.7%
0-60	947.0	95%	94.9%
60-90	50.8	5.1%	5.1%
0-90	997.8	100.1%	100%

Zone Lumen Summary

### RPA - 16L 18° BEAM

TEST DATE 2020-07-27  
SERIES RPA6-16L-30K-18°-RFD  
LUMENS 1585.7 LM  
WATTS 29.60 W  
CCT 3000K

Zone	Lumens	%Lamp	%Luminaire
0-30	565.8	35.7%	35.7%
0-40	1,157.8	73%	73.1%
0-60	1,509.3	95.2%	95.3%
60-90	73.8	4.7%	4.7%
0-90	1,583.1	99.8%	100%

Zone Lumen Summary

### RPA - 16L 30° BEAM

TEST DATE 2020-07-27  
SERIES RPA6-16L-30K-30°-RFD  
LUMENS 1685 LM  
WATTS 29.60 W  
CCT 3000K

Zone	Lumens	%Lamp	%Luminaire
0-30	610.0	36.2%	36.2%
0-40	1,197.0	71%	71.1%
0-60	1,606.3	95.3%	95.4%
60-90	77.1	4.6%	4.6%
0-90	1,683.4	99.9%	100%

Zone Lumen Summary

### RPA - 16L 60° BEAM

TEST DATE 2020-07-27  
SERIES RPA6-16L-30K-60°-RFD  
LUMENS 1472.1 LM  
WATTS 29.60 W  
CCT 3000K

Zone	Lumens	%Lamp	%Luminaire
0-30	609.9	41.4%	41.5%
0-40	1,039.6	70.6%	70.7%
0-60	1,398.1	95%	95.1%
60-90	71.9	4.9%	4.9%
0-90	1,470.0	100%	100%

Zone Lumen Summary

### RPA - 16L 80° BEAM

TEST DATE 2020-07-27  
SERIES RPA6-16L-30K-80°-RFD  
LUMENS 1296.1 LM  
WATTS 29.60 W  
CCT 3000K

Zone	Lumens	%Lamp	%Luminaire
0-30	589.1	45.5%	45.5%
0-40	933.7	72%	72.1%
0-60	1,229.3	94.8%	94.9%
60-90	66.2	5.1%	5.1%
0-90	1,295.5	100%	100%

Zone Lumen Summary

[CLICK HERE OR VISIT PRODUCT PAGE FOR COMPREHENSIVE TECHNICAL INFORMATION](#)

# PRIME

PRIME 6" LED ARCHITECTURAL  
ROUND FLANGELESS WALL WASH

6" PRIME WALL WASH

## AT-A-GLANCE TECHNICAL INFORMATION

### RPA - 19L 18° BEAM

TEST DATE 2020-07-27  
SERIES RPA6-19L-30K-18°-RFW  
LUMENS 1843.2 LM  
WATTS 28.14 W  
CCT 3000K

Zone	Lumens	%Lamp	%Luminaire
0-30	681.3	37%	37%
0-40	1,326.8	72%	72.1%
0-60	1,756.5	95.3%	95.4%
60-90	84.6	4.6%	4.6%
0-90	1,841.1	99.9%	100%

Zone Lumen Summary

### RPA - 19L 30° BEAM

TEST DATE 2020-07-27  
SERIES RPA6-19L-30K-30°-RFW  
LUMENS 1973.3 LM  
WATTS 28.18 W  
CCT 3000K

Zone	Lumens	%Lamp	%Luminaire
0-30	741.9	37.6%	37.6%
0-40	1,412.7	71.6%	71.7%
0-60	1,882.7	95.4%	95.5%
60-90	88.5	4.5%	4.5%
0-90	1,971.2	99.9%	100%

Zone Lumen Summary

### RPA - 19L 60° BEAM

TEST DATE 2020-07-27  
SERIES RPA6-19L-30K-60°-RFW  
LUMENS 1729.6 LM  
WATTS 28.16 W  
CCT 3000K

Zone	Lumens	%Lamp	%Luminaire
0-30	741.9	42.9%	42.9%
0-40	1,243.9	71.9%	72%
0-60	1,644.7	95.1%	95.2%
60-90	83.2	4.8%	4.8%
0-90	1,727.9	99.9%	100%

Zone Lumen Summary

### RPA - 19L 80° BEAM

TEST DATE 2020-07-27  
SERIES RPA6-19L-30K-80°-RFW  
LUMENS 1542.4 LM  
WATTS 28.15 W  
CCT 3000K

Zone	Lumens	%Lamp	%Luminaire
0-30	701.9	45.5%	45.5%
0-40	1,111.0	72%	72.1%
0-60	1,462.4	94.8%	94.9%
60-90	79.2	5.1%	5.1%
0-90	1,541.6	99.9%	100%

Zone Lumen Summary

### RPA - 24L 18° BEAM

TEST DATE 2020-07-27  
SERIES RPA6-24L-30K-18°-RFW  
LUMENS 2316.6 LM  
WATTS 37.40 W  
CCT 3000K

Zone	Lumens	%Lamp	%Luminaire
0-30	843.1	36.4%	36.4%
0-40	1,671.9	72.2%	72.2%
0-60	2,209.3	95.4%	95.5%
60-90	105.3	4.5%	4.5%
0-90	2,314.6	99.9%	100%

Zone Lumen Summary

### RPA - 24L 30° BEAM

TEST DATE 2020-07-27  
SERIES RPA6-24L-30K-30°-RFW  
LUMENS 2461.7 LM  
WATTS 37.39 W  
CCT 3000K

Zone	Lumens	%Lamp	%Luminaire
0-30	916.3	37.2%	37.3%
0-40	1,752.4	71.2%	71.3%
0-60	2,347.6	95.4%	95.5%
60-90	109.7	4.5%	4.5%
0-90	2,457.4	99.8%	100%

Zone Lumen Summary

### RPA - 24L 60° BEAM

TEST DATE 2020-07-27  
SERIES RPA6-24L-30K-60°-RFW  
LUMENS 2162.8 LM  
WATTS 37.35 W  
CCT 3000K

Zone	Lumens	%Lamp	%Luminaire
0-30	924.8	42.8%	42.8%
0-40	1,548.0	71.6%	71.6%
0-60	2,057.0	95.1%	95.2%
60-90	103.7	4.8%	4.8%
0-90	2,160.8	99.9%	100%

Zone Lumen Summary

### RPA - 24L 80° BEAM

TEST DATE 2020-07-27  
SERIES RPA6-24L-30K-80°-RFW  
LUMENS 1916 LM  
WATTS 37.34 W  
CCT 3000K

Zone	Lumens	%Lamp	%Luminaire
0-30	873.6	45.6%	45.6%
0-40	1,379.6	72%	72%
0-60	1,816.5	94.8%	94.9%
60-90	98.6	5.1%	5.1%
0-90	1,915.1	100%	100%

Zone Lumen Summary

[CLICK HERE OR VISIT PRODUCT PAGE FOR COMPREHENSIVE TECHNICAL INFORMATION](#)

# PRIME

PRIME 6" LED ARCHITECTURAL  
ROUND FLANGELESS WALL WASH

6" PRIME WALL WASH

## AT-A-GLANCE TECHNICAL INFORMATION

### RPA - 27L 18° BEAM

TEST DATE 2020-07-27  
SERIES RPA6-27L-30K-18°-RFW  
LUMENS 2578.6 LM  
WATTS 44.19 W  
CCT 3000K

Zone	Lumens	%Lamp	%Luminaire
0-30	969.6	37.6%	37.6%
0-40	1,894.8	73.5%	73.5%
0-60	2,459.0	95.4%	95.4%
60-90	117.5	4.6%	4.6%
0-90	2,576.5	99.9%	100%

Zone Lumen Summary

### RPA - 27L 30° BEAM

TEST DATE 2020-07-27  
SERIES RPA6-27L-30K-30°-RFW  
LUMENS 2796.7 LM  
WATTS 44.15 W  
CCT 3000K

Zone	Lumens	%Lamp	%Luminaire
0-30	1,058.1	37.8%	37.9%
0-40	2,004.1	71.7%	71.8%
0-60	2,672.1	95.5%	95.7%
60-90	120.3	4.3%	4.3%
0-90	2,792.4	99.8%	100%

Zone Lumen Summary

### RPA - 27L 60° BEAM

TEST DATE 2020-07-27  
SERIES RPA6-27L-30K-60°-RFW  
LUMENS 2427.5 LM  
WATTS 44.16 W  
CCT 3000K

Zone	Lumens	%Lamp	%Luminaire
0-30	1,041.1	42.9%	42.9%
0-40	1,743.0	71.8%	71.9%
0-60	2,308.1	95.1%	95.2%
60-90	117.1	4.8%	4.8%
0-90	2,425.3	99.9%	100%

Zone Lumen Summary

### RPA - 27L 80° BEAM

TEST DATE 2020-07-27  
SERIES RPA6-27L-30K-80°-RFW  
LUMENS 2147.2 LM  
WATTS 44.17 W  
CCT 3000K

Zone	Lumens	%Lamp	%Luminaire
0-30	987.5	46%	46%
0-40	1,554.2	72.4%	72.4%
0-60	2,036.8	94.9%	94.9%
60-90	109.3	5.1%	5.1%
0-90	2,146.0	99.9%	100%

Zone Lumen Summary

### RPA - 30L 18° BEAM

TEST DATE 2020-07-27  
SERIES RPA6-30L-30K-18°-RFW  
LUMENS 2833.7 LM  
WATTS 57.52 W  
CCT 3000K

Zone	Lumens	%Lamp	%Luminaire
0-30	1,120.4	39.5%	39.6%
0-40	2,055.7	72.5%	72.6%
0-60	2,699.1	95.2%	95.3%
60-90	132.1	4.7%	4.7%
0-90	2,831.2	99.9%	100%

Zone Lumen Summary

### RPA - 30L 30° BEAM

TEST DATE 2020-07-27  
SERIES RPA6-30L-30K-30°-RFW  
LUMENS 3024.3 LM  
WATTS 57.47 W  
CCT 3000K

Zone	Lumens	%Lamp	%Luminaire
0-30	1,197.7	39.6%	39.6%
0-40	2,155.4	71.3%	71.3%
0-60	2,882.2	95.3%	95.4%
60-90	139.7	4.6%	4.6%
0-90	3,021.9	99.9%	100%

Zone Lumen Summary

### RPA - 30L 60° BEAM

TEST DATE 2020-07-27  
SERIES RPA6-30L-30K-60°-RFW  
LUMENS 2726.7 LM  
WATTS 57.62 W  
CCT 3000K

Zone	Lumens	%Lamp	%Luminaire
0-30	1,192.6	43.7%	43.8%
0-40	1,968.2	72.2%	72.3%
0-60	2,589.6	95%	95.1%
60-90	133.3	4.9%	4.9%
0-90	2,722.9	99.9%	100%

Zone Lumen Summary

### RPA - 30L 80° BEAM

TEST DATE 2020-07-27  
SERIES RPA6-30L-30K-80°-RFW  
LUMENS 2516.2 LM  
WATTS 57.61 W  
CCT 3000K

Zone	Lumens	%Lamp	%Luminaire
0-30	1,148.7	45.7%	45.7%
0-40	1,820.8	72.4%	72.4%
0-60	2,385.6	94.8%	94.9%
60-90	128.8	5.1%	5.1%
0-90	2,514.4	99.9%	100%

Zone Lumen Summary

[CLICK HERE OR VISIT PRODUCT PAGE FOR COMPREHENSIVE TECHNICAL INFORMATION](#)