



T1085LEDB-PA

19" LED HIGHBAY

JOB INFORMATION

Type: _____
 Catalog No: _____
 Project Name: _____
 Comments: _____
 Prepared by: _____

T1085LED

FEATURES

USE OF PRODUCT

The intended use of this product is for interior warehouses, gymnasiums, food service areas, grocery stores, or any commercial or industrial applications.

CONSTRUCTION

Die-cast aluminum fixture with sealed lens for wet location applications.

FINISH

Bronze matt-finish, architectural powder coat over a precise chromate conversion coating. Consult factory for made to order architectural finishes

OPTICS

Available in clear prismatic acrylic or polished aluminum reflector. Optional conical drop lens or smooth flat lens available upon request.

ELECTRICAL

≥0.9 Power Factor
 <20% Total Harmonic Distortion
 120-277v, Optional 347/480V; 50/60hz
 -40°C Min. Temperature
 +55°C Max. Temperature
 CRI: 72

LED

Available in 4000K and 5000K with CRI > 70. Optional photocell or motion sensor (consult factory for setting capabilities) available upon request for further energy savings and security measures.

MOUNTING

Standard hook mount. May be conduit mounted if remove hook (pendant may be provided by Rayon or others).

DRIVER

Durable and long lasting LED driver operates at 120-277V and boasts a 90% power factor at 50 to 60 Hz. Driver provides dual dimming: Triac (forward-phase or leading-edge)/ELV (reverse-phase or trailing-edge) and 0-10V Dimming Constant Current. Driver protections includes: Output open load, over-current and short-circuit, and over-temperature with auto recovery

WARRANTY

5 Year limited warranty

LISTING

UL-wet location
 DLC

ORDERING INFO

SERIES	WATT/LUMENS	VOLTAGE	COLOR TEMPERATURE	HOUSING FINISH	REFLECTOR	MOUNTING	OPTIONS
T1085LEDB	135 - 135W/19400lm	UNV ¹ - 120V-277V	40K - 4000K	BZ - Bronze	PA - Prismatic Acrylic	H ¹ - Hook	EM - Emergency battery
	175 - 175W/25600lm	347 - 347	50K ¹ - 5000K			SM ² - Stem Mount	MS - Motion sensor
	200 - 200W/29800lm	480 - 480V					WG - Wire Guard

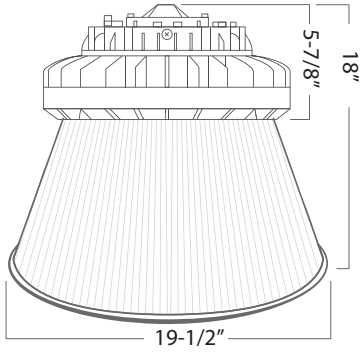
Notes

- Standard
- Consult factory for Stem mount lengths

T1085LEDB-PA

19" LED HIGHBAY

DIMENSIONS



MOUNTING OPTION



Hook



Stem Mount

OPTIONAL EM



Emergency battery pack would provide the necessary brightness in emergency situations.