



WPS

Semi-Cutoff Wall Pack

DESCRIPTION

The WPS semi-cutoff wall pack provides high performance outdoor illumination in a familiar form factor. An advanced polycarbonate lens provides uniform illumination and reduces glare when compared to traditional lighting sources. The WPS wall pack luminaire is suitable for wet locations and is ideal for pathway illumination, building entrances, vehicle ramps, schools, tunnels, stairways, and loading docks.

APPLICATIONS

Commercial, Retail, Institution, Warehouse, and Industrial

FEATURES

Construction

Rugged, die-cast housing suitable for indoor or outdoor application. Available in Dark Bronze finish.

Optical System

Polycarbonate optical lens providing a Type III distributions.

Warranty

5 Year Warranty.
See warranty documentation for more information.



Not all products are qualified on the DLC® QPL. To view our DLC® qualified products, please consult the DLC® Qualified Products List at www.designlights.org/qpl.



Electrical

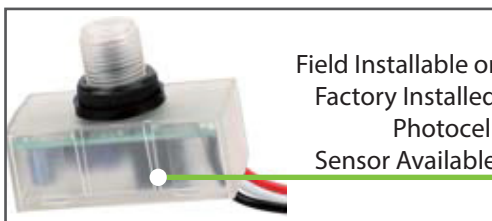
Input Voltage: 120-277VAC
8W Emergency battery backup option available for 90W & 135W.

Installation/ Mounting

J-box Wall Mounting with side 1/2" NPT Conduit opening.

Controls/Dimming

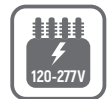
Non-Dimmable available.
Photocell option available.



WPS

- 30W (3,600 lm)
- 40W (5,100 lm)
- 65W (7,900 lm)
- 90W (9,900 lm)
- 135W (15,100 lm)

Reported L70: 50,000 hours
Warranty: 5 Years
System Efficacy: 110+ LpW



120-277VAC



Suitable for Wet Location



Emergency Driver Option



Photocell Option

Ordering Information

EXAMPLE: WPS-30W-50K-U-D

Series	Wattage	CCT	Input Voltage	Finish
WPS	30W 40W 65W 90W 135W	50K - 5000K *40K - 4000K	U - 120-277VAC	D - Dark Bronze

Control Option/Accessories

- WP-PH (Button Photocell)
- RC-RC-100 (TGS- Wireless Configuration Tool)
- WPS-EM (8W Emergency battery backup for 90W & 135W)

Specifications and Dimensions subject to change without notice.

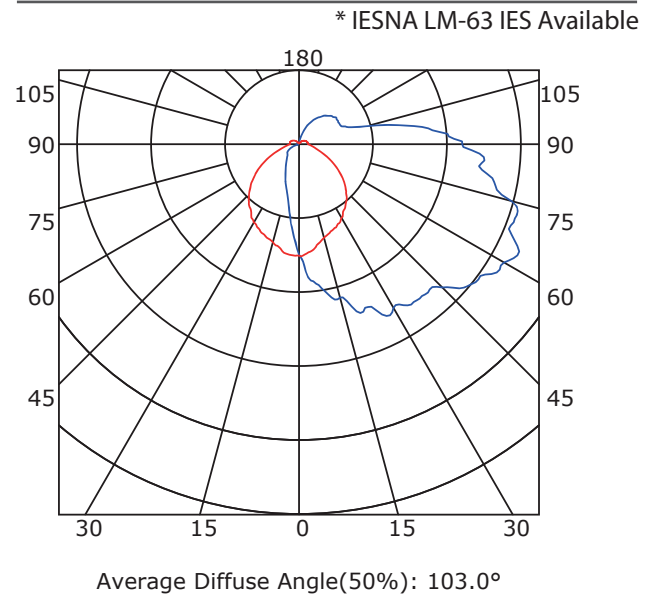
*MOQ and longer lead times may apply, please contact customer service for more information.

Optional accessories are purchased separately.

Performance Information

Input Voltage	120-277VAC
Input Frequency	50/60Hz
Wattage	See Performance Table
Delivered Lumens	See Performance Table
Efficacy	See Performance Table
CRI	>80
Available CCT	4000K, 5000K
Reported L70	50,000+ hours
Power Factor	>0.9
THD	<20%
Operating Temp.	-40~104°F
IP Rating	Suitable for wet location

Photometric Data



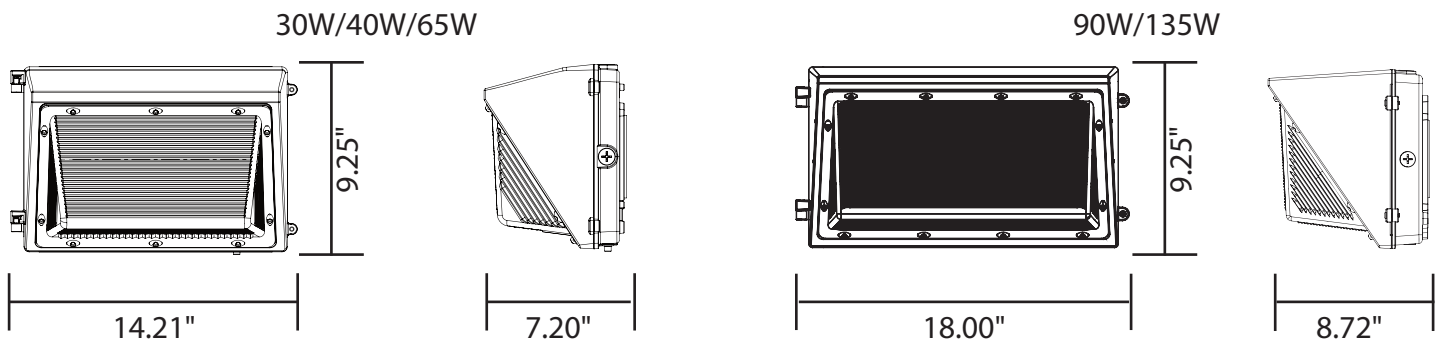
Performance Table

SKU	Wattage (W)	5000K	
		Delivered Lumens (lm)	Efficacy (lm/W)
WPS-30W-50K-U-D	30	3600	120
WPS-40W-50K-U-D	40	5100	128
WPS-65W-50K-U-D	65	7900	122
WPS-90W-50K-U-D	90	9900	110
WPS-135W-50K-U-D	135	15100	112

Electrical Load

Wattage (W)	Current (A)			
	120V	208V	240V	277V
30	0.25	0.14	0.13	0.11
40	0.33	0.19	0.17	0.14
65	0.54	0.31	0.27	0.23
90	0.75	0.43	0.38	0.32
135	1.13	0.65	0.56	0.49

Product Dimensions



(30W) Weight: 6.33 lbs.
 (40W) Weight: 6.53 lbs.
 (65W) Weight: 6.72 lbs.

(90W) Weight: 10.89 lbs.
 (135W) Weight: 11.62 lbs.