



Ledelite ModiFly wall is a key component of any layered lighting design – adding to the visual comfort within a space in combination with complementing ModiFly suspended luminaires. With ModiFly’s versatility, design spaces with wall mount luminaires, or use Ledelite’s bi, tri, or quad links to connect wall mount to suspended luminaires for design continuity in a space.

ModiFly now includes AccuRender technology for the highest color quality at the highest efficacy.

Project: _____
 Location: _____
 Cat.No: _____
 Type: _____
 Qty: _____
 Notes: _____

Ordering guide ¹⁰

example: MFOWL93530WN08DE1NNNW, M1-24

Family	Version ^{6,7}	Type	Source	CRI/CCT ¹	
MF ModiFly	0 Straight Run with Static Links CSTM Custom Patterns (Suspended to Wall)	W Wall	L LED	950 CRI 90, 5000K 940 CRI 90, 4000K 935 CRI 90, 3500K 8T2 CRI 80, 2700–6500K 2ch Tunable White (please confirm controls) ⁴	930 CRI 90, 3000K 927 CRI 90, 2700K
Lumens ¹	Optics	Distribution ¹		Run Length	
35 3500 lm/4ft 30 3000 lm/4ft 25 2500 lm/4ft 20 2000 lm/4ft 15 1500 lm/4ft	W Vertical Light Guide (Asymmetric Throw)	N 85% Dn/15% Up		02 2ft 04 4ft 05 5ft XX Continuous run in 1ft increments (please specify)	06 6ft 08 8ft
Voltage	Driver	Circuit ^{2,9}	Wiring Option ^{2,9}	System/Controls ⁸	Finish
D UNV 120-277V 3 347V ³ D UNV 120-277V D UNV 120-277V L Low Voltage (48-54V DC)	E Advance Xitanium 0-10V (1% Dim) D Advance Xitanium DALI (5% Dim) ³ H Lutron EcoSystem LDE1 (<1% Dim, Fade-to-Black) ³ S Advance Xitanium Sensor Ready (1% Dim) ³ P PoE Lighting Controller	1 Single Circuit	N None B Battery Pack ³ E Auxiliary Wiring ⁵	NN None	W Standard White H Hero Gold S Silver Nova N Venom Black T Titanium Silver B Black C Custom

Specification made easy

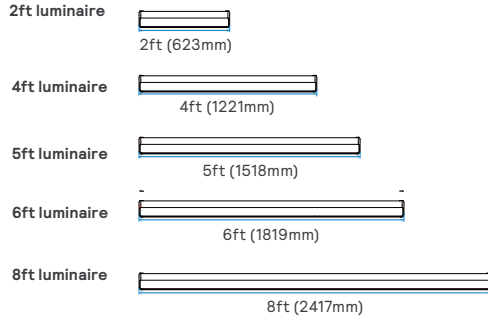
For wall to suspended transitions, we've taken the guess work out of ensuring the wall and suspended luminaires look the same. Simply specify the SAME lumen output (ie. 2000lm for wall, and 2000lm for suspended), and you're all set. For actual luminous flux values for wall mount, please refer to photometry IES files.

ModiFly wall

Options

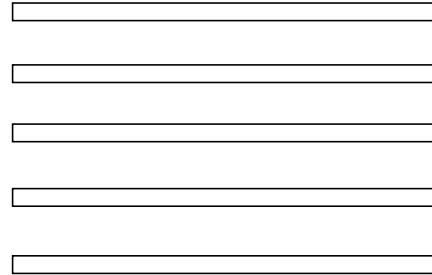
Standalone

Keep it simple with standalone modiles, available in 5 standard lengths (consult Ledalite for custom lengths).



Continuous Run

Continuous Run in 2ft increments.



Finish options



White (W)



Titanium Silver (T)



Black (B)



Hero Gold (H)



Silver Nova (S)



Venom Black (V)



Custom (C)

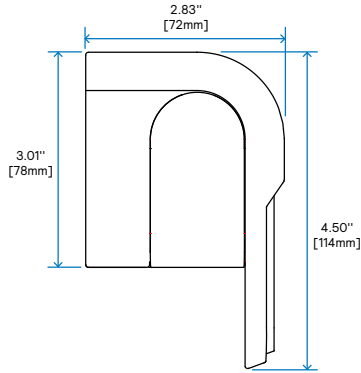
Additional LED board for added wall side illumination to optimize performance and light distribution.



ModiFly wall

Dimensions

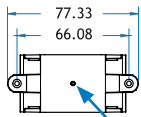
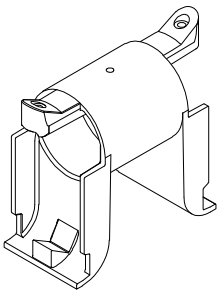
Wall mount



ModiFly articulating links

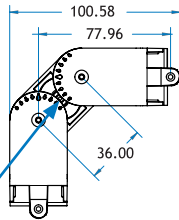
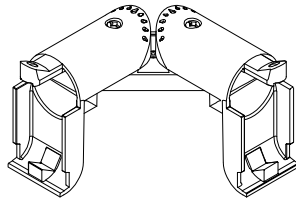
Harness the ultimate flexibility of on-site articulation of luminaires. Create one-of-a-kind designs with unique shapes and precision angles. ModiFly's factory pre-wired Bi, Tri, and Quad-link systems allow for articulating luminaires on-site, allowing for final touches of angulation to be just perfect.

Static Link*



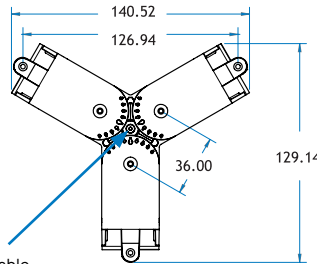
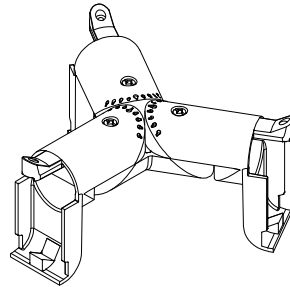
Aircraft cable
mount point

Bi-Link



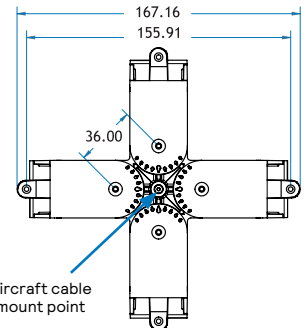
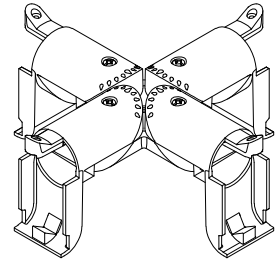
Aircraft cable
mount point

Tri-Link



Aircraft cable
mount point

Quad-Link



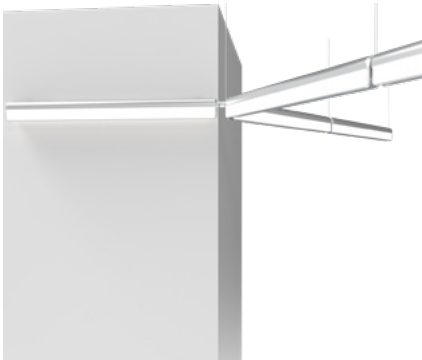
Aircraft cable
mount point

*Static links apply to continuous wall mount runs only; all other links apply to suspended patterns/shapes.

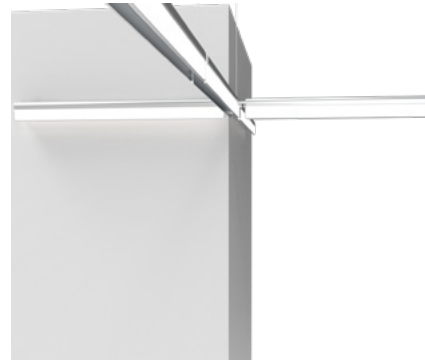
Seamlessly transition from wall to suspended

For wall to suspended transitions, installers can feed power from the wall mount luminaire, so no power drops are visible!

Tri-link



Quad-link



ModiFly wall

Specifications

Optical System

The optical system contains arrays of LEDs edge lighting a low-profile light guide panel, using total internal reflection to homogenize the sources. The microstructure surface of the light guide optimizes light extraction to create an efficacious direct distribution. In addition, an extruded flush lens assembly is used to homogenize and control light from a linear array of downward-facing LEDs on the bottom of the luminaire to create an ambient 'glow' on the wall below the luminaire. Together the light guide panel and lens assembly provide a standard distribution of 83% down / 17% up.

Construction

Housing: Extruded architectural finish aluminum.

Endcaps: Die-cast aluminum.

Luminaire Weight: Max weight 3.12lbs/ft, or 15lbs/4ft.

Finish

Standard powder coat finish options: Hero Gold, Venom Black, Silver Nova, White, Black, Titanium Silver.

Electrical

Fixtures are factory pre-wired to section ends with quick-wire connectors and tested for all circuits and backup battery packs. LED boards and drivers are easily field replaceable with access from below the ceiling.

Standard Drivers

Advance Xitanium 0-10V, 1-100%.

Advance Xitanium SR, 1-100% (Interact Pro)

Advance Xitanium DALI, 5-100%.

Lutron EcoSystem LDE1, 1-100% with Soft-on, Fade-to-Black

ETO Ready PoE Lighting Controller (by Signify)

Class 2 rated output. Consult Ledalite for other available drivers.

Power Factor: >0.90

Total Harmonic Distortion: <20%

Standard Battery Packs

Bodine, 90 min, 10W, Class 2 rated output.

Battery Pack lumen output = 10W x luminaire efficacy x 1.1.

Typical output: 1300lm.

Lumen Maintenance

LEDs have been tested by the manufacturer in accordance with IESNA LM-80-08. At an ambient temperature of 25°C, the LED lumen maintenance expectation according to IES TM-21-11 is: L70 (10K) > 60,000h (reported methodology). a

Source Color

LEDs rated for color rendering of:

CRI $R_a \geq 90$, $R_g \geq 50$, $G_a \geq 97$, $C_g \geq 90$

IES TM-30-18 : $R_f \geq 90$, $R_{f,ht} \geq 89$,

$R_g \geq 99$, $R_{cs,ht} \geq -5\%$

SPD and TM-30-18 reports available upon request

Fixture to fixture color accuracy within:

2 SDCM for Static White luminaires

3 SDCM for Tunable White luminaires

Mounting

A two-piece bracket system attaches the housing to the wall structure.

Connected Systems

Interact Office Wired (PoE) & Tunable White

PoE based IoT connected lighting solution for large enterprises that span across multiple floors, buildings and require multiple gateways. Use Interact Office software and insights to increase building efficiency, achieve building wide integration and optimize space through occupancy analytics. Learn more at: www.interact-lighting.com/office

Tunable White

Signify tunable white solutions are designed to help maximize the influence of lighting on your daily life. Dynamic behaviors via scheduled lighting recipes mimicking daylight patterns or supporting biorhythms. Learn more at: www.usa.lighting.philips.com/products/product-highlights/tunable-white-technology

Approvals

Luminaires are certified for safety to UL1589 and CSAC22.2. No.250.0

Complies in accordance with CAN ICES-005-A/NEB-005-A and FCC Part 15A. Select ModiFly configurations contribute toward satisfying features L03, L04, L06, L07 and L08 under the WELL v2 Building Standard®

Environment

Rated for dry or damp locations in operating ambient temperatures of 0-25°C (32-77°F).

Many luminaire components, such as reflectors, refractors, lenses, and LEDs are made from various types of plastics which can be adversely affected by airborne contaminants. If sulfur-based chemicals, petroleum-based products, cleaning solutions, or other contaminants are expected in the intended area of use, consult factory for compatibility. Damage caused by sulfur, chlorine, petroleum-based solution or other contaminants are not covered under warranty. Not suitable for natatorium environments.

Warranty

Five-year luminaire limited warranty including LED boards.

www.signify.com/warranties

Wireless Controls Options

Radio only sensor (RA):

- Integral RADIO only sensor simply enables wireless mesh connectivity to the luminaire without any occupancy or daylight sensing.
- Ideal for applications where sensing functionality is managed by other Interact devices and the luminaire only needs to have wireless connectivity.
- Interact Pro includes an App, a portal and a broad portfolio of wireless luminaires, lamps and retrofit kits all working on the same system.
- Startup is implemented via Interact Pro App (Android or iPhone) & Bluetooth connectivity. The App provides flexibility to choose between a gateway or non-gateway mode for setup.
- Setup with the gateway requires wired internet access to the gateway. It is possible to add a gateway at a later point.
- Prepare project configuration steps remotely, identify and group devices together onsite.
- Compatible with UID8451/10 wireless dimmer switch, SWS200 wireless scene switch, wireless Occ sensor (OCC SENSOR IA CM IP42 WH 10/1) and wireless Day/Occ sensor (OCC MULTI SENSOR IA CM WH 10/1).
- For more information on Interact Pro visit:
www.interact-lighting.com/interactproscalablesystem

Emergency Options (R):

- Power Sensing (Factory default) – Recommended
- UL924 option requires unswitched power sense line, absence of voltage on the normal circuit triggers luminaire to 100% output.
- Power Interruption Detection (Field option)
- Detects AC power interruption >30ms triggers 90 minute emergency mode with luminaire at 100% output.

Wired Controls Options

Interact Office Wired PoE (IO & SB):

- PoE based IoT connected lighting solution for large enterprises that span across multiple floors, buildings and require multiple gateways.
- Use Interact software and insights to increase building efficiency, achieve building wide integration and optimize space through occupancy analytics.
- Optional integral emergency controller and battery pack provides backup lighting in the case of a power outage. Test switch and indicator light mounted on the chassis.
- Emergency battery has a 3 month pre-installed shelf life and must be stored and installed in environments of -20°C to 30°C (-4°F to 86°F) ambient, and 45-85% relative humidity.
- For more information on Interact Office Wired visit:
www.interact-lighting.com/office

Note: Signify Interact Office Luminaires are not sold individually and are only compatible with Signify's Interact Office control system & software. The system requires a compatible back-end IT infrastructure for normal operations, please consult your Signify representative for additional information.

Tunable White:

- Tunable White is available in Interact Office Wired PoE luminaires. Other control options for Tunable White with DALI (DT6 or DT8), 0-10V, Lutron T Series or DMX control are available via an Engineered-to-Order (ETO) request.
- Signify tunable white solutions are designed to help maximize the influence of lighting on your daily life.
- Dynamic behaviors via scheduled lighting recipes mimicking daylight patterns or supporting biorhythms.
- Scene setting via lighting pre-sets based on various combinations of lighting color temperature and intensity.

Interact Pro scalable sensor option codes across Genlyte product lines

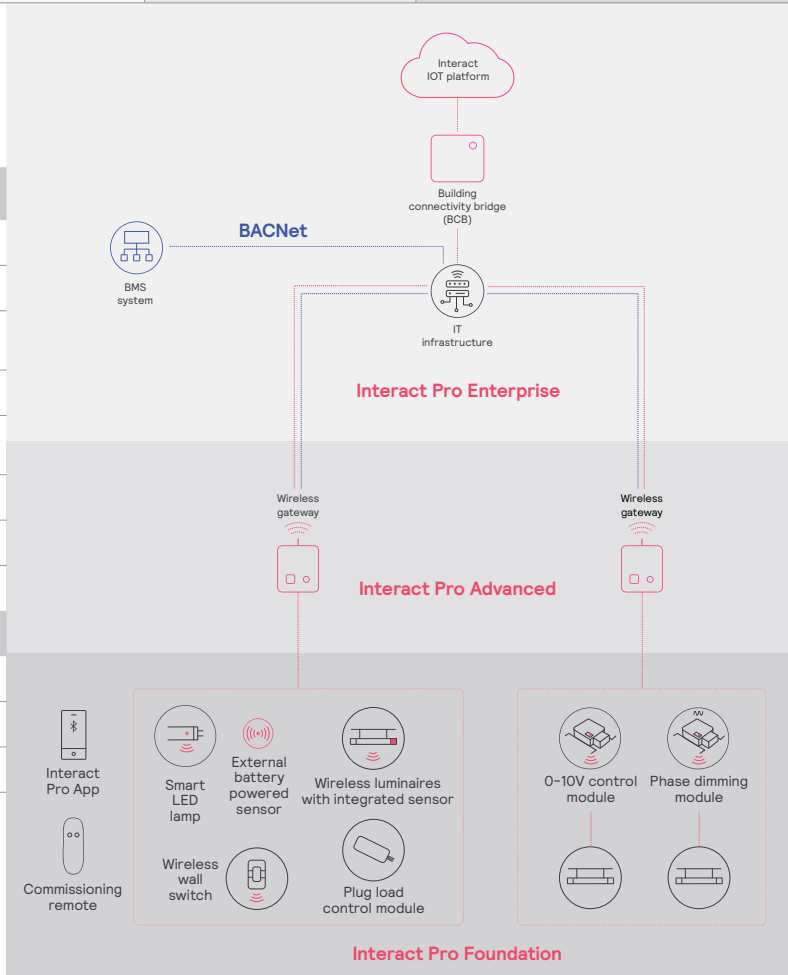
	Evokit	Day-Brite	Ledalite	Lightolier
ZeeBee + Bluetooth + Sensing	SWZCS	SWZCS	CS	SBA accessory (external)
ZeeBee + Bluetooth	RADIO	RADIO	RA	RA
ZeeBee + Bluetooth + Sensing + Environmental data	IAOSB	IAOSB	SB	SB
ZeeBee + Highbay + Sensing	-	SWZCSH	-	-

Interact Pro scalable system			
	Foundation	Advanced	Enterprise
Dimming, grouping, and zoning	✓	✓	✓
Bluetooth and ZigBee enabled	✓	✓	✓
Motion sensing and daylight harvesting	✓	✓	✓
Integration with 0-10V and phase dimming fixtures	✓	✓	✓
Code compliance	✓	✓	✓
Granular dimming and dwell time	✓	✓	✓
Energy reporting and monitoring		✓	✓
Scheduling		✓	✓
Demand response		✓	✓
BMS integration (BACnet)			✓
Floor plan visualization			✓
IoT sensors for wellness			✓
IoT Apps for productivity			✓

Currently supported maximum system size

To be able to design the lighting system correctly for the customer, it is important to know the prime characteristics of the system, its possibilities and limitations.

System level	
Total number of gateways	Unlimited
Total number of devices	200 per network
• luminaires with integrated sensors	150
• smart TLEDS	150
Total number of ZGP devices (sensors and switches)	50
• sensors	30
• switches	50
• zones and groups	64
Group level	
Recommended number of lights	40 (recommended 25)
Number of ZGP devices	5
Number of scenes	16



ModiFly wall

Colorimetry

ModiFly wall (MFx) AccuRender Static White

Nominal CRI & CCT		CRI 90, 2700K	CRI 90, 3000K	CRI 90, 3500K	CRI 90, 4000K	CRI 90, 5000K
CIE 013.3-1995 ¹	CRI R_a	94	94	94	93	93
	R_9	56	58	61	64	67
	G_a	99	99	99	98	97
	C_9	93	93	93	94	94
IES TM-30-18 ²	R_f	92	92	91	91	90
	R_{f,h_1}	90	91	90	91	89
	R_g	99	100	100	99	99
	R_{cs,h_1}	-5%	-5%	-5%	-5%	-5%
MDER ³		0.44	0.50	0.57	0.64	0.79

1. Color Rendering Index (CRI Ra) and Strong Red (R9) are calculated in accordance with CIE 013.3-1995. Color Gamut index (Ga) and red chroma Index (C9) are CIE based properties using the Global Lighting Association's calculation tool.

2. Fidelity Index (Rf), Red Fidelity Index (Rf,h1), Gamut Index (Rg), and Red Local Chroma Shift (Rcs,h1) are calculated in accordance with IES TM-30-18.-18.

3. Melanopic Daylight Efficacy Ratio (MDER) is the measure for "spectral melanopic efficiency" as defined in CIE S 026-2018.

ModiFly wall

Photometry

ModiFly (MFx) – 4ft wall

Click "PDF" or "IES" text to download

Nominal CRI & CCT		CRI 90, 2700K					CRI 90, 3000K					CRI 90, 3500K					CRI 90, 4000K					CRI 90, 5000K				
Nominal Lumen Package (lm/4ft)	Watts	Flux (lm/4ft) ¹	Efficacy (LPW) ¹	UGR ²	Photometry Report	IES File	Flux (lm/4ft) ¹	Efficacy (LPW) ¹	UGR ²	Photometry Report	IES File	Flux (lm/4ft) ¹	Efficacy (LPW) ¹	UGR ²	Photometry Report	IES File	Flux (lm/4ft) ¹	Efficacy (LPW) ¹	UGR ²	Photometry Report	IES File	Flux (lm/4ft) ¹	Efficacy (LPW) ¹	UGR ²	Photometry Report	IES File
4500	35.4	3,773	106.6	23.6	PDF	IES	3,859	109.0	23.7	PDF	IES	3,985	112.6	23.8	PDF	IES	4,054	114.5	23.9	PDF	IES	4,207	118.8	24.0	PDF	IES
4000	31.4	3,334	106.2	23.2	PDF	IES	3,410	108.6	23.3	PDF	IES	3,502	111.5	23.4	PDF	IES	3,563	113.5	23.4	PDF	IES	3,697	117.7	23.5	PDF	IES
3500	27.4	2,932	107.0	22.7	PDF	IES	3,008	109.8	22.8	PDF	IES	3,025	110.4	22.9	PDF	IES	3,178	116.0	23.0	PDF	IES	3,261	119.0	23.1	PDF	IES
3000	23.5	2,486	105.8	22.2	PDF	IES	2,551	108.6	22.3	PDF	IES	2,572	109.4	22.3	PDF	IES	2,702	115.0	22.5	PDF	IES	2,772	118.0	22.5	PDF	IES
2500	19.3	2,121	109.9	21.6	PDF	IES	2,204	114.2	21.7	PDF	IES	2,223	115.2	21.8	PDF	IES	2,290	118.7	21.9	PDF	IES	2,354	122.0	22.0	PDF	IES
2000	15.7	1,706	108.7	20.9	PDF	IES	1,773	112.9	21.0	PDF	IES	1,789	113.9	21.0	PDF	IES	1,840	117.2	21.1	PDF	IES	1,892	120.5	21.2	PDF	IES
1500	12.1	1,253	103.6	19.8	PDF	IES	1,301	107.5	19.9	PDF	IES	1,313	108.5	20.0	PDF	IES	1,365	112.8	20.1	PDF	IES	1,403	116.0	20.2	PDF	IES
1000	9.0	823	91.4	18.3	PDF	IES	855	95.0	18.5	PDF	IES	863	95.9	18.5	PDF	IES	897	99.7	18.6	PDF	IES	922	102.4	18.7	PDF	IES

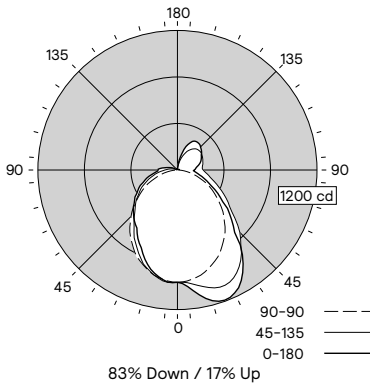
ModiFly (MFx) – 2ft wall

Click "PDF" or "IES" text to download

Nominal CRI & CCT		CRI 90, 2700K					CRI 90, 3000K					CRI 90, 3500K					CRI 90, 4000K					CRI 90, 5000K				
Nominal Lumen Package (lm/4ft)	Watts	Flux (lm/4ft) ¹	Efficacy (LPW) ¹	UGR ²	Photometry Report	IES File	Flux (lm/4ft) ¹	Efficacy (LPW) ¹	UGR ²	Photometry Report	IES File	Flux (lm/4ft) ¹	Efficacy (LPW) ¹	UGR ²	Photometry Report	IES File	Flux (lm/4ft) ¹	Efficacy (LPW) ¹	UGR ²	Photometry Report	IES File	Flux (lm/4ft) ¹	Efficacy (LPW) ¹	UGR ²	Photometry Report	IES File
4500	18.0	1,886	104.8	23.3	PDF	IES	1,929	107.2	23.4	PDF	IES	1,992	110.7	23.5	PDF	IES	2,027	112.6	23.6	PDF	IES	2,103	116.8	23.7	PDF	IES
4000	16.3	1,667	102.3	22.9	PDF	IES	1,705	104.6	23.0	PDF	IES	1,751	107.4	23.1	PDF	IES	1,781	109.3	23.1	PDF	IES	1,848	113.4	23.2	PDF	IES
3500	14.5	1,466	101.1	22.4	PDF	IES	1,504	103.7	22.5	PDF	IES	1,513	104.3	22.5	PDF	IES	1,589	109.6	22.7	PDF	IES	1,630	112.4	22.8	PDF	IES
3000	12.5	1,243	99.4	21.9	PDF	IES	1,275	102.0	21.9	PDF	IES	1,286	102.9	22.0	PDF	IES	1,351	108.1	22.2	PDF	IES	1,386	110.9	22.2	PDF	IES
2500	10.9	1,076	98.7	21.4	PDF	IES	1,102	101.1	21.4	PDF	IES	1,112	102.0	21.5	PDF	IES	1,145	105.0	21.6	PDF	IES	1,177	108.0	21.7	PDF	IES
2000	9.3	853	91.7	20.6	PDF	IES	886	95.3	20.7	PDF	IES	894	96.1	20.7	PDF	IES	920	98.9	20.8	PDF	IES	946	101.7	20.9	PDF	IES
1500	7.6	626	82.4	19.5	PDF	IES	651	85.7	19.6	PDF	IES	657	86.4	19.6	PDF	IES	683	89.9	19.8	PDF	IES	702	92.4	19.9	PDF	IES
1000	5.8	412	71.0	18.0	PDF	IES	428	73.8	18.2	PDF	IES	432	74.5	18.2	PDF	IES	449	77.4	18.3	PDF	IES	461	79.5	18.4	PDF	IES

1. 4ft Luminaire photometry has been conducted in accordance with IES LM-79-08. IES files can be downloaded by clicking the links in the table above, or online at ledalite.com. Luminaires with finishes other than standard white may result in a drop in flux and efficacy.
2. Unified Glare Ratio (UGR) is calculated in accordance with CIE 117-1995. Reference conditions of 4Hx8Hx1H and reflectances of 70/50/20% have been applied using the procedure described in CIE 190-2010.

Vertical Light Guide Asymmetric Throw Spacing Criteria: 1.49/1.18



Candela plot shown is for 4000lm/4ft, CRI 90, 3500K configuration.

ModiFly wall with PoE

Photometry

ModiFly – 4ft wall with PoE Photometrics

Click "PDF" or "IES" text to download

Nominal CRI & CCT		CRI 90, 2700K					CRI 90, 3000K					CRI 90, 3500K					CRI 90, 4000K					CRI 90, 5000K				
Nominal Lumen Package (lm/4ft)	Watts	Flux (lm/4ft) ¹	Efficacy (LPW) ¹	UGR ²	Photometry Report	IES File	Flux (lm/4ft) ¹	Efficacy (LPW) ¹	UGR ²	Photometry Report	IES File	Flux (lm/4ft) ¹	Efficacy (LPW) ¹	UGR ²	Photometry Report	IES File	Flux (lm/4ft) ¹	Efficacy (LPW) ¹	UGR ²	Photometry Report	IES File	Flux (lm/4ft) ¹	Efficacy (LPW) ¹	UGR ²	Photometry Report	IES File
4500	32.3	3,773	116.8	23.6	PDF	IES	3,859	119.5	23.7	PDF	IES	3,985	123.4	23.8	PDF	IES	4,054	125.5	23.9	PDF	IES	4,207	130.2	24.0	PDF	IES
4000	28.7	3,334	116.2	23.2	PDF	IES	3,410	118.8	23.3	PDF	IES	3,502	122.0	23.4	PDF	IES	3,563	124.1	23.4	PDF	IES	3,697	128.8	23.5	PDF	IES
3500	25.0	2,932	117.3	22.7	PDF	IES	3,008	120.3	22.8	PDF	IES	3,025	121.0	22.9	PDF	IES	3,178	127.1	23.0	PDF	IES	3,261	130.4	23.1	PDF	IES
3000	20.9	2,486	118.9	22.2	PDF	IES	2,551	122.1	22.3	PDF	IES	2,572	123.1	22.3	PDF	IES	2,702	129.3	22.5	PDF	IES	2,772	132.6	22.5	PDF	IES
2500	17.7	2,121	119.8	21.6	PDF	IES	2,204	124.5	21.7	PDF	IES	2,223	125.6	21.8	PDF	IES	2,290	129.4	21.9	PDF	IES	2,354	133.0	22.0	PDF	IES
2000	14.3	1,706	119.3	20.9	PDF	IES	1,773	124.0	21.0	PDF	IES	1,789	125.1	21.0	PDF	IES	1,840	128.7	21.1	PDF	IES	1,892	132.3	21.2	PDF	IES
1500	11.0	1,253	113.9	19.8	PDF	IES	1,301	118.3	19.9	PDF	IES	1,313	119.4	20.0	PDF	IES	1,365	124.1	20.1	PDF	IES	1,403	127.5	20.2	PDF	IES
1000	8.2	823	100.4	18.3	PDF	IES	855	104.3	18.5	PDF	IES	863	105.2	18.5	PDF	IES	897	109.4	18.6	PDF	IES	922	112.4	18.7	PDF	IES

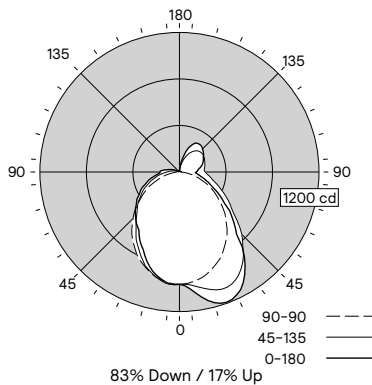
ModiFly – 2ft wall with PoE Photometrics

Click "PDF" or "IES" text to download

Nominal CRI & CCT		CRI 90, 2700K					CRI 90, 3000K					CRI 90, 3500K					CRI 90, 4000K					CRI 90, 5000K				
Nominal Lumen Package (lm/4ft)	Watts	Flux (lm/4ft) ¹	Efficacy (LPW) ¹	UGR ²	Photometry Report	IES File	Flux (lm/4ft) ¹	Efficacy (LPW) ¹	UGR ²	Photometry Report	IES File	Flux (lm/4ft) ¹	Efficacy (LPW) ¹	UGR ²	Photometry Report	IES File	Flux (lm/4ft) ¹	Efficacy (LPW) ¹	UGR ²	Photometry Report	IES File	Flux (lm/4ft) ¹	Efficacy (LPW) ¹	UGR ²	Photometry Report	IES File
4500	16.0	1,886	117.9	23.3	PDF	IES	1,929	120.6	23.4	PDF	IES	1,992	124.5	23.5	PDF	IES	2,027	126.7	23.6	PDF	IES	2,103	131.4	23.7	PDF	IES
4000	14.3	1,667	116.6	22.9	PDF	IES	1,705	119.2	23.0	PDF	IES	1,751	122.4	23.1	PDF	IES	1,781	124.5	23.1	PDF	IES	1,848	129.2	23.2	PDF	IES
3500	12.7	1,466	115.4	22.4	PDF	IES	1,504	118.4	22.5	PDF	IES	1,513	119.1	22.5	PDF	IES	1,589	125.1	22.7	PDF	IES	1,630	128.3	22.8	PDF	IES
3000	11.0	1,243	113	21.9	PDF	IES	1,275	115.9	21.9	PDF	IES	1,286	116.9	22.0	PDF	IES	1,351	122.8	22.2	PDF	IES	1,386	126	22.2	PDF	IES
2500	9.5	1,076	113.3	21.4	PDF	IES	1,102	116	21.4	PDF	IES	1,112	117.1	21.5	PDF	IES	1,145	120.5	21.6	PDF	IES	1,177	123.9	21.7	PDF	IES
2000	7.7	853	110.8	20.6	PDF	IES	886	115.1	20.7	PDF	IES	894	116.1	20.7	PDF	IES	920	119.5	20.8	PDF	IES	946	122.9	20.9	PDF	IES
1500	5.9	626	106.1	19.5	PDF	IES	651	110.3	19.6	PDF	IES	657	111.4	19.6	PDF	IES	683	115.8	19.8	PDF	IES	702	119	19.9	PDF	IES
1000	4.5	412	91.6	18.0	PDF	IES	428	95.1	18.2	PDF	IES	432	96	18.2	PDF	IES	449	99.8	18.3	PDF	IES	461	102.4	18.4	PDF	IES

1. 4ft Luminaire photometry has been conducted in accordance with IES LM-79-08. IES files can be downloaded by clicking the links in the table above, or online at ledalite.com. Luminaires with finishes other than standard white may result in a drop in flux and efficacy.
2. Unified Glare Ratio (UGR) is calculated in accordance with CIE 117-1995. Reference conditions of 4Hx8Hx1H and reflectances of 70/50/20% have been applied using the procedure described in CIE 190-2010.

Vertical Light Guide Asymmetric Throw Spacing Criteria: 1.49/1.18



Candela plot shown is for 4000lm/4ft, CRI 90, 3500K configuration.

ModiFly wall

Footnotes from page 1 ordering guide

1. Nominal values within a range. Not all lumen packages are available with all configurations. Consult photometry data for CRI, color temp, lumens & distribution of chosen configuration.
 2. Not all wiring types are available with all configurations. Consult Ledalite for a complete list of available options.
 3. 347V not available with Battery Pack, GTD, DALI, Lutron EcoSystem or Sensor Ready drivers or Interact Pro options. Battery packs available in modules > 4ft (lumen package limits may apply, check with Ledalite).
 4. Tunable White is available in Interact Office Wired PoE luminaires. Please enquire about options for Tunable White with DALI (DT6 or DT8), 0-10V, Lutron T Series or DMX control (extended lead times may apply).
 5. Auxiliary Wiring not available with Interact Pro or Interact Office Wired (PoE) luminaires. Aux sections are wired to one fixture end only.
 6. Version code for specification purposes only, product will ship as "MFOV". Bi-links can be articulated 180 degrees on site to create unique open patterns using linear modules.
 7. See spec sheet for specifying patterns.
 8. Sensors are only available in white, but can be combined with any luminaire finish.
 9. Luminaires are pre-wired to both ends with quick wire connectors at one end for standard circuit & battery pack trigger wire (if applicable). Each circuit has its own neutral conductor. All circuits are clearly labelled at each end.
 10. Other options not shown here may also be possible via a custom request. Extended lead times and minimum order quantities may apply, please consult factory.
- Note:** Due to continuing product improvements, Ledalite reserves the right to change the specifications without notice.

