



TruGroove recessed micro delivers the perfect combination of slender aesthetic and lighting control, creating luminous environments with exceptional uniformity and wide row spacing from a 1.75" aperture continuous line-of light. An extended family and refined design are perfect for lighting any professional space.

TruGroove recessed micro now includes AccuRender technology for the highest color quality at the highest efficacy

Project: _____
 Location: _____
 Cat.No: _____
 Type: _____
 Line ID: _____ Qty: _____
 Notes: _____

Ordering guide

example: 2301L93530QS108DS1RCS

Family	Version	Source	CRI/CCT ¹	Lumens ¹	Optics	Housing	Ceiling/Trim	Run Length
230 TruGroove recessed micro	1 Performance Symmetric	L LED	950 CRI 90, 5000K	30 3000 lm/4ft	Q Flush MesoOptics Lens	S Standard C Chicago Plenum	1 T-Grid ¹⁶ 3 Drywall Trimless (Ceiling) 4 Drywall Trim	02 2ft
	8 Performance Asymmetric Wall Wash ⁸		940 CRI 90, 4000K 935 CRI 90, 3500K 930 CRI 90, 3000K 927 CRI 90, 2700K	22 2200 lm/4ft 15 1500 lm/4ft 10 1000 lm/4ft				03 3ft 04 4ft 05 5ft 06 6ft 08 8ft XX Continuous run in 1/8" increments ¹¹
Recessed Patterns ⁷ : 23A 2'x2' Flat Corner (90°)			8T2 CRI 80, 2700-6500K 2ch Tunable White (confirm controls) ⁵					Recessed Patterns: A4 2'x2' Flat Corner (90°)

Voltage	Driver	Circuit ^{2,9}	Wiring Option ^{2,9}	System / Controls ^{12,13}	Finish ¹⁰
D UNV 120-277V 3 347V ³	E Advance Xitanium 0-10V (1% Dim)	1 Single Circuit B Dual Circuit A/B (Alt. 4' Sections) C Single Circuit + 1 Thru Wire (BP Trigger) ⁹	N None B Battery Pack ³ E Aux. Wiring ⁵ G GTD ³ (please specify voltage)	NN None SZ SpaceWise DT wireless sensor, with integral daylighting & occupancy sensing, advanced grouping, with dwell time ⁴ CS Interact Pro scalable wireless sensor with integral daylight & occupancy sensing, advanced grouping with dwell time ^{4,17} SB Interact Pro Enterprise advanced wireless sensor bundle, Integral SC1500 with IoT capabilities for enterprise scale projects ^{4,14,17}	W Standard White Trim Finish
D UNV 120-277V	D Advance Xitanium DALI (5% Dim) ³ H Lutron EcoSystem LDE1 (<1% Dim, Fade-to-Black) ³	F Single Circuit + 4 Thru Wires (Mains & Dimming) ⁹ H Dual Circuit + 1 Thru Wire (BP Trigger) ⁹ J Dual Circuit + 4 Thru Wires (Mains & Dimming) ⁹	N None B Battery Pack ³ R UL924 Sensor Bypass Relay ¹⁵	NN None IO Interact Office wired sensor with integral daylighting & occupancy sensing, enables wired connected lighting control ^{4,14} SB Interact Office advanced wired sensor bundle, Integral SC2000 with IoT capabilities for enterprise scale projects ^{4,14}	
D UNV 120-277V	S Advance Xitanium SR (1% Dim) ³	1 Single Circuit	N None B Battery Pack	NN None	
L Low Voltage (48-54V DC)	P PoE Lighting Controller	1 Single Circuit	N None B Battery Pack	NN None	

- Nominal values within a range. Consult photometry data for CRI, color temp, lumens & distribution of chosen configuration.
 - Not all wiring types are available with all configurations. Consult Ledalite for a complete list of available options.
 - 347V not available with Battery Pack, DALI, Lutron EcoSystem or Sensor Ready drivers or SpaceWise DT / Interact Pro options. Battery packs only available in modules ≥ 4ft.
 - SpaceWise DT & Interact options require separate controls hardware by Signify.
 - Tunable White is available in Interact Office Wired PoE luminaires. Please enquire about Engineered-to-Order (ETO) options for Tunable White with DALI (DT6 or DT8), 0-10V, Lutron T Series or DMX control.
 - Auxiliary Wiring not available with SpaceWise DT, Interact Pro or Interact Office Wired luminaires.
 - When specifying a TruGroove recessed corner or pattern, please specify the type of corner. Flat corners are 90°, contact Ledalite for custom angles.
 - Performance Asymmetric Wall Wash option not available in 2ft standalone.
 - Luminaires are pre-wired to both ends with quick wire connectors at one end for standard circuit & battery pack trigger wire (if applicable). Each circuit has its own neutral conductor. All circuits are clearly labelled at each end. Thru Wire options can provide either one additional set of (4) power and dimming wires (Black/White/Purple/Grey) or one additional battery pack trigger wire (orange) through a selected module, please consult factory for other Thru Wire options.
 - Standard trim finish is white, please consult factory for alternate trim finishes.
 - Available in continuous run lengths from 6ft in increments as small as 1/8in for 1000lm/4ft, 1500lm/4ft & 2200lm/4ft symmetric configurations. All 3000lm/4ft and asymmetric configurations can be specified in 1ft increments.
 - Integral sensors not available with asymmetric options. Please enquire about Engineered-to-Order (ETO) options for remote sensors.
 - Integral sensors only allowed at ends of runs. Mid run sensors will be provided in remote mounts. Sensors are only available in white, but can be combined with any luminaire finish.
 - This option is qualified as Engineered-to-Order (ETO) ready. Other options not shown here may be possible via an ETO request. Lead times and minimum order quantities may vary, please consult factory.
 - UL924 listed sensor bypass relay is only available in modules ≥ 4ft and is factory installed between driver & sensor. Must be ordered with an integral sensing option. Must be installed in conjunction with a UL1008 device.
 - TruGroove's universal T-Grid mount option is compatible with numerous ceiling grid styles, including NEMA Type G, NFG, NFSG, and SS.
 - Must order IRT9015 Interact commissioning remote with each system order.
- Note:** Due to continuing product improvements, Ledalite reserves the right to change the specifications without notice.

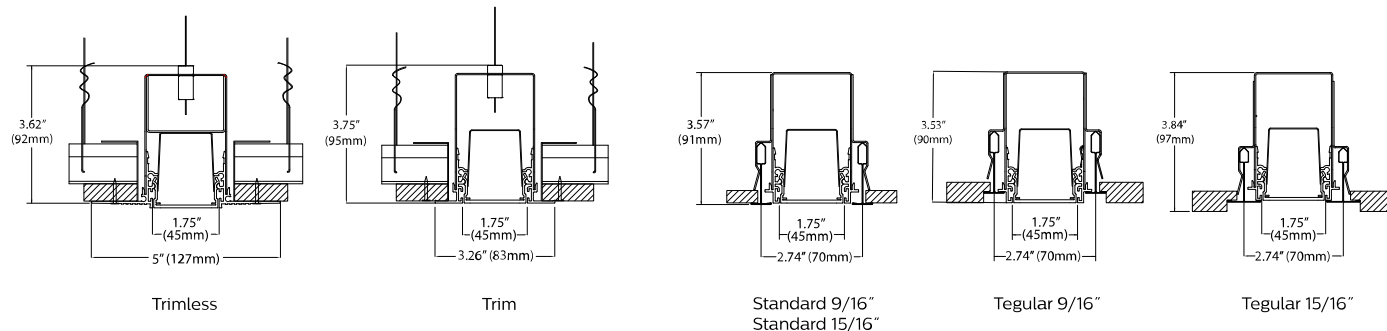
TruGroove recessed micro

Ceiling Types

Drywall*

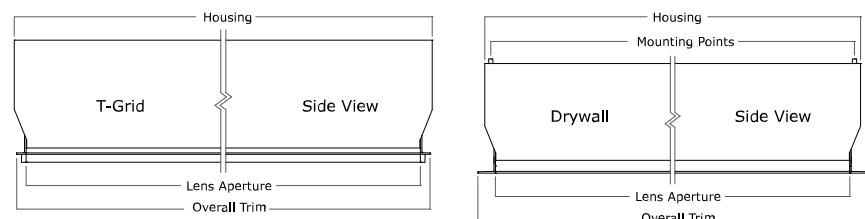
*Default 4ft aircraft cables for drywall models

T-Grid

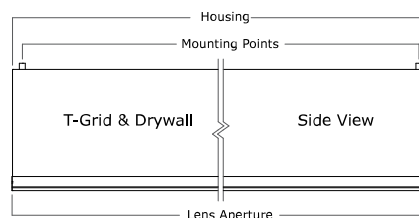


Module Details & Dimensions

Standalone



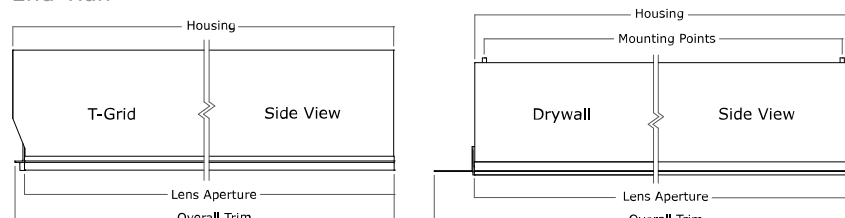
Mid-Run



Standalone						
Nominal	Housing	Lens	Mounting Points	Trim - T-Grid	Trim - Drywall Trimless	Trim - Drywall Trim
2ft	23.9" / 607mm	23.0" / 584mm	23.4" / 594mm	23.8" / 605mm	26.4" / 670mm	24.5" / 622mm
3ft	35.9" / 912mm	35.0" / 889mm	35.4" / 899mm	35.8" / 909mm	38.4" / 975mm	36.5" / 927mm
4ft	47.9" / 1217mm	47.0" / 1194mm	47.4" / 1204mm	47.8" / 1214mm	50.4" / 1280mm	48.5" / 1232mm
5ft	59.9" / 1521mm	59.0" / 1499mm	59.4" / 1509mm	59.8" / 1519mm	62.4" / 1585mm	60.5" / 1537mm
6ft	71.9" / 1826mm	71.0" / 1803mm	71.4" / 1814mm	71.8" / 1824mm	74.4" / 1889mm	72.5" / 1841mm
8ft	95.9" / 2436mm	95.0" / 2413mm	95.4" / 2423mm	95.8" / 2433mm	98.4" / 2499mm	96.5" / 2451mm

Mid-Run		
Nominal	Housing & Lens	Mounting Points
2ft	24.0" / 610mm	23.2" / 589mm
3ft	36.0" / 914mm	35.2" / 894mm
4ft	48.0" / 1219mm	47.2" / 1199mm
5ft	60.0" / 1524mm	59.2" / 1504mm
6ft	72.0" / 1829mm	71.2" / 1809mm
8ft	96.0" / 2438mm	95.2" / 2418mm
Incremental	L	L-0.8" / 20mm

End-Run



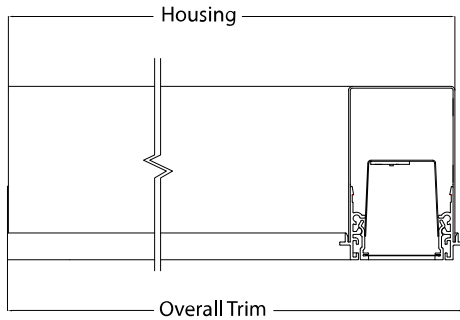
End-Run						
Nominal	Housing	Lens	Mounting Points	Trim - T-Grid	Trim - Drywall Trimless	Trim - Drywall Trim
2ft	24.0" / 610mm	23.5" / 597mm	23.2" / 589mm	23.9" / 606mm	25.7" / 653mm	24.8" / 629mm
3ft	36.0" / 914mm	35.5" / 901mm	35.2" / 894mm	35.9" / 910mm	37.7" / 957mm	36.7" / 933mm
4ft	48.0" / 1219mm	47.5" / 1206mm	47.2" / 1199mm	47.9" / 1215mm	49.7" / 1262mm	48.7" / 1238mm
5ft	60.0" / 1524mm	59.5" / 1511mm	59.2" / 1504mm	59.9" / 1520mm	61.7" / 1567mm	60.7" / 1543mm
6ft	72.0" / 1829mm	71.5" / 1816mm	71.2" / 1809mm	71.9" / 1825mm	73.7" / 1872mm	72.8" / 1848mm
8ft	96.0" / 2438mm	95.5" / 2425mm	95.2" / 2418mm	95.8" / 2434mm	97.7" / 2481mm	96.7" / 2457mm
Incremental	L	L-0.5" / 13mm	L-0.8" / 20mm	L-0.1" / 3mm	L+1.7" / 43mm	L+0.75" / 19mm

TruGroove recessed micro

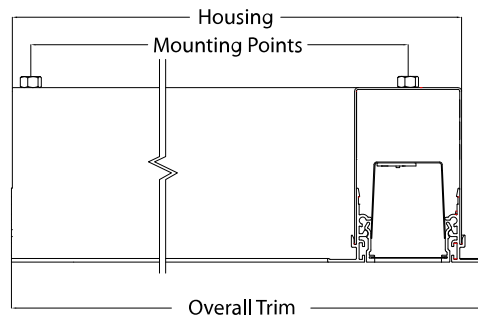
Corner details and dimensions

Flat 90° Lit Corner Units (Side Views)

T-Grid



Drywall Trimless



Nominal Length	Housing	Lens	Mounting Points	Trim - T-Grid	Trim - Drywall Trimless	Trim - Drywall Trim
2x2ft Flat	25.1"/637mm	N/A	23.6"/600mm	25.3"/642mm	26.5"/673mm	25.6"/651mm

Ceiling/Trim Options

T-Grid



Drywall Trimless



Drywall Trim



TruGroove recessed micro

Specifications

Optical System

White light emitted from the LED sources is redirected by a precisely formed reflector and exits through the optical lens assembly. This assembly contains an acrylic extrusion profile retaining a layer of MesoOptic film, creating both an uninterrupted continuum of light and an optical batwing or asymmetric distribution from a 1.75" flush aperture.

Housing

Die-formed 20 gauge cold-rolled steel. Multiple upper wire entrances available for continuous row mounting of fixtures.

Finish

Extruded aluminum trim and die-cast endplates coated with electrostatically applied and thermally cured polyester. Powder coat paint finish. White sensors only.

Mounting

T-Grid: Mounting brackets on housing sides support T-Grid installation in 9/16", 15/16" or slot T-Grid suspension systems (NEMA types G, NFG, NFSG, and SS).

Drywall (Ceiling mounted): Ceiling mounted luminaires are available with Drywall Trim or Trimless options. A 1/16" diameter aircraft cable with self-locking, tamper-resistant, miniature cable gripper provides vertical adjustment. The aircraft cable, crimp and gripper have been independently tested to meet stringent safety requirements.

Joints

Self-aligning joining system with hands-free pre-joining wire access.

Weight

Maximum 2.8lbs/ft.

Electrical

Fixtures are factory pre-wired to section ends with quick-wire connectors and tested for all circuits and backup battery packs. LED boards and drivers are easily field replaceable with access from below the ceiling. Optional armored cable flex whips are available in 6' lengths.

Standard Drivers

Advance Xitanium 0-10V, 1% Dimming.
Advance Xitanium DALI, 5% Dimming.
Advance Xitanium Sensor Ready, 1% Dimming.
PoE Lighting Controller (for PoE tunable white).
Lutron EcoSystem LDE1, 1% Dimming with Soft-On and Fade-to-Black.
Class 2 rated output. Consult Ledalite for other available drivers.

Standard Battery Packs

Bodine Battery Pack, 90 min, 10W, Class 2 rated output.
Lumen output = 10W x luminaire efficacy x 1.1. Typical output ~1200lm.
PoE Battery Pack, 90 min, 6W, Class 2 rated output.
Lumen output = 6W x luminaire efficacy. Typical output ~650lm.

Lumen Maintenance

LEDs have been tested by the manufacturer in accordance with IESNA LM-80-15. At an ambient temperature of 25°C, the LED lumen maintenance expectation according to IES TM-21-11 is:
 $L_{90} (10k) > 60,000$ hours (Reported methodology).

Source Color

LEDs rated for color rendering of:
 $CRI R_a \geq 90, R_g \geq 50, G_g \geq 97, C_g \geq 90$
IES TM-30-18 : $R_f \geq 90, R_{f,hl} \geq 89, R_g \geq 99, R_{cs,hl} \geq -5\%$
SPD and TM-30-18 reports available upon request
Fixture to fixture color accuracy within:
2 SDCM for Static White luminaires
3 SDCM for Tunable White luminaires

Approvals

Certified to UL, IES & CSA Standards.
City of Chicago Approved CCEA (housing option C).
Type IC Rated.

Environment

Rated for dry or damp locations in operating ambient temperatures of 0-25°C (32-77°F).

Many luminaire components, such as reflectors, refractors, lenses, and LEDs are made from various types of plastics which can be adversely affected by airborne contaminants. If sulfur-based chemicals, petroleum-based products, cleaning solutions, or other contaminants are expected in the intended area of use, consult factory for compatibility. Damage caused by sulfur, chlorine, petroleum-based solution or other contaminants are not covered under warranty. Not suitable for natatorium environments.

Warranty

Five-year luminaire limited warranty including LED boards and driver:
www.signify.com/warranties

QuickShip

10-day QuickShip available for most configurations upon request. More information available at:
www.signify.com/en-us/brands/ledalite/quickship

TruGroove recessed micro

Wireless Controls Options

SpaceWise DT (SZ):

- Standalone daylight and occupancy sensing with advanced grouping, wireless mesh networking and dwell time.
- Commissioning via compatible Android phone and Philips Field App.
- Dimming via compatible Zigbee wireless wall switch only (see link below for details).
- Register for the commissioning app at: registration.componentcloud.philips.com/appregistration/
- For more information including recommended switches, refer to the following: www.usa.lighting.philips.com/systems/lighting-systems/spacewise

Interact Pro scalable sensor for Foundation, Advanced & Enterprise tiers (CS an evolution of SpaceWise):

- CS is a connected sensor with integral occupancy and daylight sensing and supports wireless mesh connectivity.
- The sensor works in the Foundation mode (similar to SpaceWise) when configured without a gateway or in an Interact Pro Advanced or Enterprise mode if a compatible gateway is used.
- Interact Pro includes an App, a portal and a broad portfolio of wireless luminaires, lamps and retrofit kits all working on the same system.
- Startup is implemented via Interact Pro App (Android or iPhone) & Bluetooth connectivity. The App provides flexibility to choose between a gateway or non gateway mode for setup.
- Setup with the gateway requires wired internet access to the gateway. It is possible to add a gateway at a later point.
- Prepare project configuration steps remotely and use IRT9015 remote onsite to identify and group devices together.
- Compatible with UID8451/10 wireless dimmer switch, SWS200 wireless scene switch, wireless Occ sensor (OCC SENSOR IA CM IP42 WH 10/1) and wireless Day/Occ sensor (OCC MULTI SENSOR IA CM WH 10/1).
- For more information on Interact Pro visit: www.interact-lighting.com/interactproscalablesystem

Emergency Options (R):

- Power Sensing (Factory default) – Recommended
- UL924 option requires unswitched power sense line, absence of voltage on the normal circuit triggers luminaire to 100% output.
- Power Interruption Detection (Field option)
- Detects AC power interruption >30ms triggers 90 minute emergency mode with luminaire at 100% output.

Interact Pro scalable sensor bundles for Enterprise tier (SB):

- SB option, in addition to occupancy and daylight sensing, supports advanced IoT capabilities such as people estimation analysis, desk level temperature & humidity sensing, noise classification, and BLE beacon.
- Compatible with UID8451/10 wireless dimmer switch, SWS200 wireless scene switch, wireless Occ sensor (OCC SENSOR IA CM IP42 WH 10/1) and wireless Day/Occ sensor (OCC MULTI SENSOR IA CM WH 10/1).
- Use Interact software and insights to increase building efficiency, achieve building wide integration and optimize space through occupancy analytics.
- Requires compatible Gateway and internet connectivity for commissioning. For more information, visit: www.interact-lighting.com/office

Wired Controls Options

Interact Office Wired PoE (IO & SB):

- PoE based IoT connected lighting solution for large enterprises that span across multiple floors, buildings and require multiple gateways.
- Use Interact software and insights to increase building efficiency, achieve building wide integration and optimize space through occupancy analytics.
- Integral sensor option for occupancy sensing (PIR) and/or daylight harvesting available for additional energy savings.
- SB option, in addition to occupancy and daylight sensing, supports advanced IoT capabilities such as people estimation analysis, desk level temperature & humidity sensing, noise classification, and BLE beacon.
- Optional integral emergency controller and battery pack provides backup lighting in the case of a power outage. Test switch and indicator light mounted on the chassis.
- Emergency battery has a 3 month pre-installed shelf life, and must be stored and installed in environments of -20°C to 30°C (-4F to 86F) ambient, and 45-85% relative humidity.
- For more information on Interact Office Wired visit: www.interact-lighting.com/office

Note: Signify Interact Office Luminaires are not sold individually and are only compatible with Signify's Interact Office control system & software. The system requires a compatible back-end IT infrastructure for normal operations, please consult your Signify representative for additional information.

Tunable White:

- Tunable White is available in Interact Office Wired PoE luminaires. Other control options for Tunable White with DALI (DT6 or DT8), 0-10V, Lutron T Series or DMX control are available via an Engineered-to-Order (ETO) request.
- Signify tunable white solutions are designed to help maximize the influence of lighting on your daily life.
- Dynamic behaviors via scheduled lighting recipes mimicking daylight patterns or supporting biorhythms.
- Scene setting via lighting pre-sets based on various combinations of lighting color temperature and intensity.

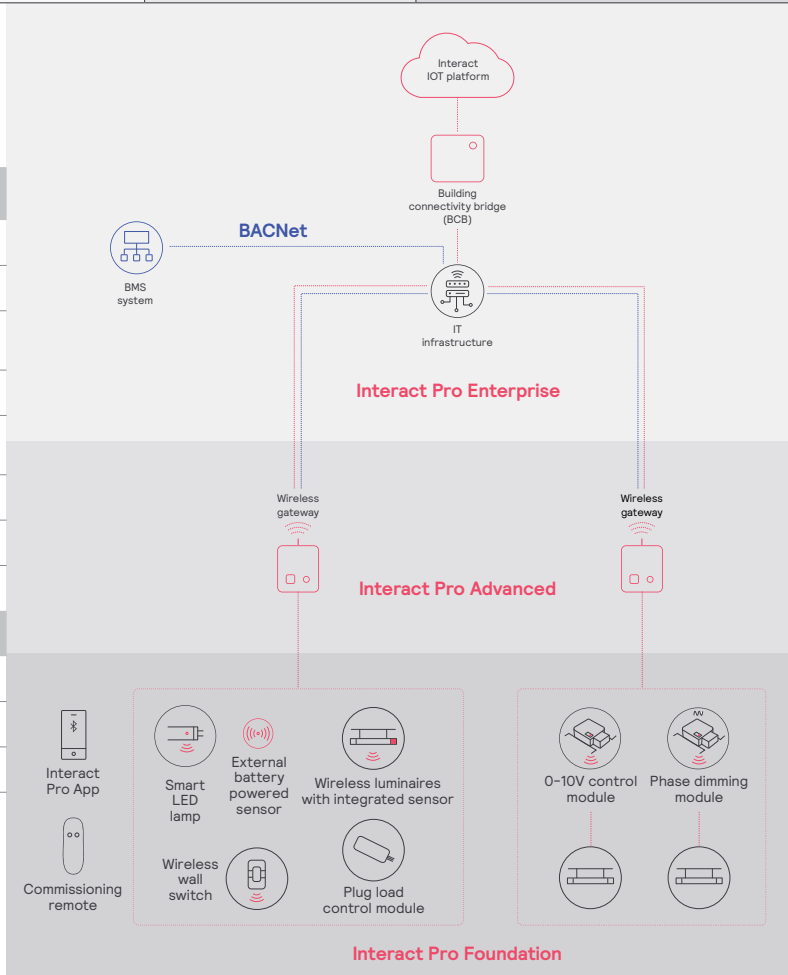
TruGroove recessed micro

Interact Pro scalable system			
	Foundation	Advanced	Enterprise
Dimming, grouping, and zoning	✓	✓	✓
Bluetooth and ZigBee enabled	✓	✓	✓
Motion sensing and daylight harvesting	✓	✓	✓
Integration with 0-10V and phase dimming fixtures	✓	✓	✓
Code compliance	✓	✓	✓
Granular dimming and dwell time	✓	✓	✓
Energy reporting and monitoring		✓	✓
Scheduling		✓	✓
Demand response		✓	✓
BMS integration (BACnet)			✓
Floor plan visualization			✓
IoT sensors for wellness			✓
IoT Apps for productivity			✓

Currently supported maximum system size

To be able to design the lighting system correctly for the customer, it is important to know the prime characteristics of the system, its possibilities and limitations.

System level	
Total number of gateways	Unlimited
Total number of devices	200 per network
• luminaires with integrated sensors	150
• smart TLEDS	150
Total number of ZGP devices (sensors and switches)	50
• sensors	30
• switches	50
• zones and groups	64
Group level	
Recommended number of lights	40 (recommended 25)
Number of ZGP devices	5
Number of scenes	16



TruGroove recessed micro

Photometrics

Performance Symmetric - Flush Meso Lens

Spacing Criteria: 1.12/1.69

(Click "IES" text to Download)

Lumen Package	Nominal CRI & CCT	Flux (lm)	Power ¹ (W)	Efficacy ¹ (LPW)	CRI	R9	RP-1 VDT	DLC	Photometry Report	IES File
3100lm/4ft	80CRI, 4000K	3176	31.3	101.5	84	16	N/A	N/A	PDF	IES
	80CRI, 3500K	3154	31.5	100.1	82	11	N/A	N/A	PDF	IES
	80CRI, 3000K	3042	31.7	96.0	84	16	N/A	N/A	PDF	IES
	90CRI, 3500K	3085	37.0	83.4	94	71	N/A	N/A	PDF	IES
2200 lm/4ft	80CRI, 4000K	2277	21.9	104.0	84	16	Normal spaces	N/A	PDF	IES
	80CRI, 3500K	2261	22.1	102.3	82	11	Normal spaces	N/A	PDF	IES
	80CRI, 3000K	2181	22.2	98.2	84	16	Normal spaces	N/A	PDF	IES
	90CRI, 3500K	2213	25.6	86.4	94	71	Normal spaces	N/A	PDF	IES
1500 lm/4ft	80CRI, 4000K	1581	14.7	107.6	84	16	Normal spaces	N/A	PDF	IES
	80CRI, 3500K	1571	14.8	106.1	82	11	Normal spaces	N/A	PDF	IES
	80CRI, 3000K	1515	14.9	101.7	84	16	Normal spaces	N/A	PDF	IES
	90CRI, 3500K	1563	17.2	90.9	94	71	Normal spaces	N/A	PDF	IES
1000 lm/4ft	80CRI, 4000K	1007	9.7	103.8	84	16	Critical spaces	N/A	PDF	IES
	80CRI, 3500K	1000	9.7	103.1	82	11	Critical spaces	N/A	PDF	IES
	80CRI, 3000K	965	9.8	98.5	84	16	Critical spaces	N/A	PDF	IES
	90CRI, 3500K	1005	11.5	87.4	94	71	Critical spaces	N/A	PDF	IES

¹ For Interact Office wired (PoE) configurations, power will be lower and efficacy higher, consult factory for information.

CANDELA DISTRIBUTION						Flux
	0	22.5	45	67.5	90	Lumens
0	646	646	646	646	646	
5	822	772	614	545	508	63
15	1177	1025	606	390	335	197
25	1189	1091	578	273	229	303
35	818	836	494	209	183	316
45	470	501	349	168	151	256
55	256	276	208	133	120	182
65	145	146	126	93	82	118
75	62	61	59	47	41	58
85	12	11	12	13	11	14
90	0	0	0	0	0	
95	0	0	0	0	0	0
105	0	0	0	0	0	0
115	0	0	0	0	0	0
125	0	0	0	0	0	0
135	0	0	0	0	0	0
145	0	0	0	0	0	0
155	0	0	0	0	0	0
165	0	0	0	0	0	0
175	0	0	0	0	0	0
180	0	0	0	0	0	0

*Photometric data shown is for 1500 lm/4ft, 3500K, 80 CRI configuration.

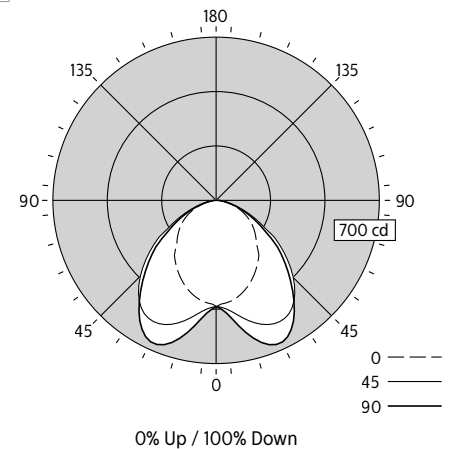
AccuRender technology with CRI 90 available now, photometry coming soon.

COEFFICIENTS OF UTILIZATION (%)												
Pc---	80				70				50			0
Pw---	70	50	30	10	70	50	30	50	30	10	0	
RCR												
0	119	119	119	119	116	116	116	111	111	111	100	
1	110	106	103	99	108	104	101	100	97	95	87	
2	102	95	89	84	99	93	87	89	85	81	75	
3	94	85	77	72	92	83	76	80	74	70	65	
4	87	76	68	62	85	75	67	72	66	61	57	
5	80	69	61	55	78	68	60	66	59	54	51	
6	75	63	54	49	73	62	54	60	53	48	45	
7	70	57	49	44	68	56	49	55	48	43	41	
8	65	53	45	39	64	52	44	51	44	39	37	
9	61	49	41	36	60	48	41	47	40	35	33	
10	57	45	38	33	56	45	37	44	37	32	31	

ZONAL LUMEN SUMMARY			
Zone	Lumens	%Fixture	%Lamp
0-30	563	37.3%	37.3%
0-40	879	58.3%	58.3%
0-60	1317	87.3%	87.3%
0-90	1508	100.0%	100.0%
90-130	0	0.0%	0.0%
90-150	0	0.0%	0.0%
90-180	0	0.0%	0.0%
0-180	1508	100.0%	100.0%

Electrical				
Voltage (V)	Power (W)	Current (A)	THD (%)	Power factor
120	14.8	0.123	11.4	0.991
277	15.0	0.057	17.8	0.942
347	15.2	0.046	13.1	0.954

AVG LUMINANCE (cd/m ²)			
	0	45	90
0	11580	11580	11580
5	14801	11045	9140
15	21855	11252	6211
25	23522	11445	4531
35	17916	10822	3996
45	11932	8860	3830
55	8015	6518	3756
65	6140	5343	3492
75	4262	4076	2835
85	2463	2548	2240



TruGroove recessed micro

Photometrics

Performance Asymmetric - Flush Meso Lens

Spacing Criteria: 1.60/1.25

(Click "IES" text to Download)

Lumen Package	Nominal CRI & CCT	Flux (lm)	Power ¹ (W)	Efficacy ¹ (LPW)	CRI	R9	RP-1 VDT	DLC	Photometry Report	IES File
3100lm/4ft	80CRI, 4000K	3052	31.2	97.8	84	16	Normal spaces	N/A	PDF	IES
	80CRI, 3500K	3031	31.4	96.5	82	11	Normal spaces	N/A	PDF	IES
	80CRI, 3000K	2923	31.6	92.5	84	16	Normal spaces	N/A	PDF	IES
	90CRI, 3500K	2964	36.9	80.3	94	71	Normal spaces	N/A	PDF	IES
2200 lm/4ft	80CRI, 4000K	2189	21.9	100.0	84	16	Normal spaces	N/A	PDF	IES
	80CRI, 3500K	2175	22.0	98.9	82	11	Normal spaces	N/A	PDF	IES
	80CRI, 3000K	2096	22.1	94.8	84	16	Normal spaces	N/A	PDF	IES
	90CRI, 3500K	2128	25.5	83.5	94	71	Normal spaces	N/A	PDF	IES
1500 lm/4ft	80CRI, 4000K	1520	14.7	103.4	84	16	Critical spaces	N/A	PDF	IES
	80CRI, 3500K	1508	14.8	101.9	82	11	Critical spaces	N/A	PDF	IES
	80CRI, 3000K	1456	14.9	97.7	84	16	Critical spaces	N/A	PDF	IES
	90CRI, 3500K	1502	17.1	87.8	94	71	Critical spaces	N/A	PDF	IES
1000 lm/4ft	80CRI, 4000K	967	9.6	100.7	84	16	Critical spaces	N/A	PDF	IES
	80CRI, 3500K	962	9.7	99.2	82	11	Critical spaces	N/A	PDF	IES
	80CRI, 3000K	927	9.8	94.6	84	16	Critical spaces	N/A	PDF	IES
	90CRI, 3500K	965	11.5	83.9	94	71	Critical spaces	N/A	PDF	IES

¹ For Interact Office wired (PoE) configurations, power will be lower and efficacy higher, consult factory for information.

CANDELA DISTRIBUTION						Flux
	0	22.5	45	67.5	90	Lumens
0	456	456	456	456	456	
5	442	454	468	482	486	45
15	414	455	535	597	613	149
25	366	447	584	658	670	254
35	311	414	563	589	581	313
45	240	350	464	448	433	308
55	187	244	327	307	287	248
65	127	153	179	166	159	159
75	62	69	76	71	68	76
85	13	14	15	15	15	18
90	0	0	0	0	0	
95	0	0	0	0	0	0
105	0	0	0	0	0	0
115	0	0	0	0	0	0
125	0	0	0	0	0	0
135	0	0	0	0	0	0
145	0	0	0	0	0	0
155	0	0	0	0	0	0
165	0	0	0	0	0	0
175	0	0	0	0	0	0
180	0	0	0	0	0	0

*Photometric data shown is for 1500 lm/4ft, 3500K, 80 CRI configuration.

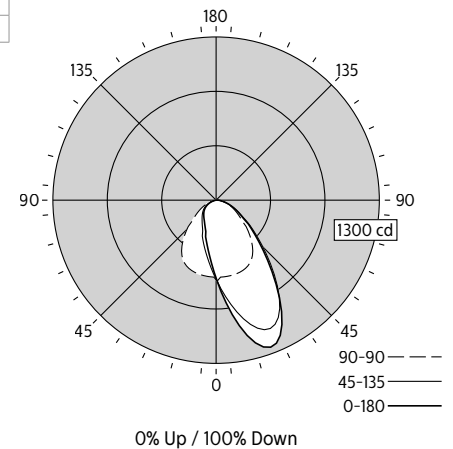
AccuRender technology with CRI 90 available now, photometry coming soon.

COEFFICIENTS OF UTILIZATION (%)													
Pc---	80				70				50				0
Pw---	70	50	30	10	70	50	30	50	30	10	0	0	
RCR	0	119	119	119	119	116	116	116	111	111	111	100	
	1	110	105	101	98	107	103	99	99	96	93	85	
	2	100	92	86	80	98	90	84	87	82	78	72	
	3	92	81	74	67	89	80	73	77	71	66	61	
	4	84	72	64	57	82	71	63	69	62	56	53	
	5	77	65	56	49	75	64	55	61	54	49	46	
	6	71	58	49	43	69	57	49	56	48	43	40	
	7	66	53	44	38	64	52	44	50	43	38	35	
	8	61	48	40	34	60	47	39	46	39	34	31	
	9	57	44	36	30	56	43	36	42	35	30	28	
	10	54	41	33	28	52	40	33	39	32	27	25	

ZONAL LUMEN SUMMARY			
Zone	Lumens	%Fixture	%Lamp
0-30	448	28.5%	28.5%
0-40	761	48.5%	48.5%
0-60	1318	83.9%	83.9%
0-90	1571	100.0%	100.0%
90-130	0	0.0%	0.0%
90-150	0	0.0%	0.0%
90-180	0	0.0%	0.0%
0-180	1571	100.0%	100.0%

Electrical				
Voltage (V)	Power (W)	Current (A)	THD (%)	Power factor
120	14.8	0.123	11.4	0.991
277	15.0	0.057	17.8	0.942
347	15.2	0.046	13.1	0.954

AVG LUMINANCE (cd/m ²)			
	0	45	90
0	8170	8170	8170
5	7965	8417	8741
15	7688	9930	11374
25	7250	11556	13255
35	6817	12336	12716
45	6083	11760	10982
55	5850	10220	8972
65	5408	7589	6754
75	4330	5238	4738
85	2777	3095	3054



TruGroove linear recessed micro w/tunable white

Photometrics

Performance Symmetric – Flush Meso Lens

Spacing Criteria: 1.12/1.69

(Click "IES" text to Download)

Lumen Package	Nominal CRI & CCT	Flux (lm)	Power (W)	Efficacy (LPW)	CRI	R9	RP-1 VDT	Photometry Report	IES File
3100lm/4ft	80CRI, 2700K	3101	40.3	76.9	82	8	N/A	PDF	IES
	80CRI, 3000K	3099	39.6	78.2	84	14	N/A		
	80CRI, 3500K	3095	38.6	80.1	86	23	N/A		
	80CRI, 4000K	3092	37.8	81.8	87	28	N/A		
	80CRI, 5000K	3088	36.6	84.5	87	26	N/A		
	80CRI, 6500K	3083	35.0	88.0	84	13	N/A		
2200 lm/4ft	80CRI, 2700K	2203	31.6	69.7	83	9	Normal spaces	PDF	IES
	80CRI, 3000K	2204	31.1	70.8	84	16	Normal spaces		
	80CRI, 3500K	2205	30.4	72.6	86	24	Normal spaces		
	80CRI, 4000K	2206	29.8	74.1	87	28	Normal spaces		
	80CRI, 5000K	2208	28.9	76.4	87	27	Normal spaces		
	80CRI, 6500K	2210	27.8	79.6	84	12	Normal spaces		
1500 lm/4ft	80CRI, 2700K	1486	15.6	95.5	83	10	Critical spaces	PDF	IES
	80CRI, 3000K	1487	15.4	96.4	85	17	Critical spaces		
	80CRI, 3500K	1489	15.2	97.7	87	25	Critical spaces		
	80CRI, 4000K	1490	15.1	98.8	87	29	Critical spaces		
	80CRI, 5000K	1492	14.9	100.5	87	28	Critical spaces		
	80CRI, 6500K	1495	14.6	102.6	84	11	Critical spaces		
1000 lm/4ft	80CRI, 2700K	1011	10.8	94.0	83	10	Critical spaces	PDF	IES
	80CRI, 3000K	1013	10.7	94.7	85	17	Critical spaces		
	80CRI, 3500K	1015	10.6	95.7	87	25	Critical spaces		
	80CRI, 4000K	1017	10.5	96.5	87	29	Critical spaces		
	80CRI, 5000K	1020	10.4	97.8	87	28	Critical spaces		
	80CRI, 6500K	1023	10.3	99.4	84	11	Critical spaces		

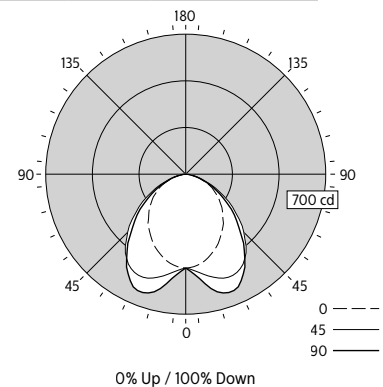
CANDELA DISTRIBUTION						Flux
	0	22.5	45	67.5	90	Lumens
0	470	470	470	470	470	
5	464	470	484	495	503	47
15	432	465	533	585	609	149
25	383	448	558	619	622	244
35	324	405	515	540	515	293
45	260	335	411	408	376	284
55	198	244	286	275	253	230
65	131	152	165	159	146	152
75	61	69	69	71	62	72
85	11	15	11	14	13	16
90	0	0	0	0	0	
95	0	0	0	0	0	0
105	0	0	0	0	0	0
115	0	0	0	0	0	0
125	0	0	0	0	0	0
135	0	0	0	0	0	0
145	0	0	0	0	0	0
155	0	0	0	0	0	0
165	0	0	0	0	0	0
175	0	0	0	0	0	0
180	0	0	0	0	0	0

COEFFICIENTS OF UTILIZATION (%)												
Pc---	80				70			50			0	
Pw---	70	50	30	10	70	50	30	50	30	10	0	
RCR												
0	119	119	119	119	116	116	116	111	111	111	100	
1	110	105	101	98	107	103	99	99	96	93	86	
2	100	92	86	81	98	91	85	87	82	78	72	
3	92	82	74	68	89	80	73	77	71	66	62	
4	84	73	64	58	82	71	63	69	62	57	53	
5	78	65	56	50	75	64	56	62	55	49	46	
6	72	59	50	44	70	58	50	56	49	43	40	
7	66	53	45	39	65	52	44	51	44	38	36	
8	62	49	40	34	60	48	40	47	39	34	32	
9	58	45	36	31	56	44	36	43	36	31	29	
10	54	41	33	28	53	41	33	40	33	28	26	

ZONAL LUMEN SUMMARY			
Zone	Lumens	%Fixture	%Lamp
0-30	440	29.6%	29.6%
0-40	733	49.3%	49.3%
0-60	1247	83.9%	83.9%
0-90	1486	100.0%	100.0%
90-130	0	0.0%	0.0%
90-150	0	0.0%	0.0%
90-180	0	0.0%	0.0%
0-180	1486	100.0%	100.0%

AVG LUMINANCE (cd/m ²)			
	0	45	90
0	8420	8420	8420
5	8358	8711	9057
15	8026	9896	11309
25	7586	11043	12298
35	7084	11268	11277
45	6581	10413	9523
55	6175	8933	7904
65	5555	6989	6204
75	4213	4774	4282
85	2305	2325	2613

*Photometric data shown is for 1500 lm/4ft, 2700K, 80 CRI configuration.



© 2021 Signify Holding. All rights reserved. The information provided herein is subject to change, without notice. Signify does not give any representation or warranty as to the accuracy or completeness of the information included herein and shall not be liable for any action in reliance thereon. The information presented in this document is not intended as any commercial offer and does not form part of any quotation or contract, unless otherwise agreed by Signify.

Signify North America Corporation
200 Franklin Square Drive,
Somerset, NJ 08873
Telephone 855-486-2216

Signify Canada Ltd.
281 Hillmount Road,
Markham, ON, Canada L6C 2S3
Telephone 800-668-9008

All trademarks are owned by Signify Holding or their respective owners.