



T348LED

15" SLIM LED AREA/FLOOD

JOB INFORMATION

TYPE: _____

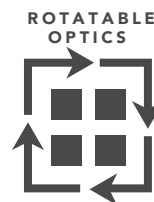
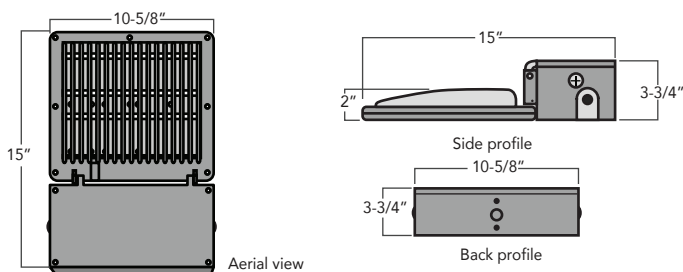
CATALOG NO. _____

PROJECT NAME: _____

COMMENTS: _____

PREPARED BY: _____

DIMENSIONS



FEATURES

USE OF PRODUCT

The intended use of this product is ideal for highways, streets, parking lots, public entrances, and any commercial or industrial applications.

HOUSING

Rugged die cast aluminum housing with easy access to fixture compartment.

FINISH

Standard Matt-finished, architectural powdercoat over a precise chromate conversion coating. Consult factory for custom architectural finishes.

OPTICS

White aluminum reflector is designed for maximum photometric efficiency and optimum light distribution. Rotatable optics available in Type I, II, III, IV or V. Flat glass lens provides impact resistance. Lens sealed by a one-piece silicon gasket which prohibits entrance of outside contaminants.

LED

High output LEDs offer a minimum estimated operating life of 50,000 hours in 5000K with CRI>83; Efficacy: 119lm/W. LEDs placed on high performance aluminum heatsink for reduced junction temperatures and extended life.

DRIVER

Durable LED driver operates at 120-277V with 0-10V dimming protocol. Power factor: 0.90; 50 to 60 Hz. Driver protections includes: Output open load, over-current and short-circuit, and over-temperature with auto recovery. -30°C Min Temp. to 40°C Max Temp.

MOUNTING

Fixture pole must be mounted on a concrete base (supplied by others).

EPA

Effective Projected Area (Sq. Ft.): 0.438 ft²

WEIGHT

9 Lbs

LISTINGS/COMPLIANCE

- CSA - Listed for wet locations.

B-U-G Rating

Watt	Type II	Type III	Type IV	Type IV
40	B2-U0-G2	B1-U0-G1	B1-U0-G1	B2-U0-G1
58	B2-U0-G2	B1-U0-G2	B1-U0-G2	B3-U0-G1
84	B2-U0-G2	B1-U0-G2	B2-U0-G2	B3-U0-G1
119	B3-U0-G3	B2-U0-G2	B2-U0-G2	B3-U0-G2

ORDERING INFO

T348LED					
SERIES	WATT/LUMENS	VOLTAGE	COLOR TEMPERATURE	DISTRIBUTION TYPES	MOUNTING
T-SERIES LED	20 - 20W/2220 30 - 30W/3330 40 - 40W/4335 58 - 58W/6762 84 - 84W/8756 119 - 119W/12354	UNV-120V-277V 347 ¹ - 347V 480 ¹ - 480V	30 - 3000K 35 - 3500K 40 - 4000K 50 - 5000K	T1 - Type I T2 - Type II T3 - Type III T4 - Type IV T5 - Type V	SB - Swivel bracket SF - Slipfitter TSAM6S - 6" Arm mount square pole TSAM10S - 10" Arm mount square pole TSAM6R - 6" Arm mount round pole TSAM10R - 10" Arm mount round pole TWMB-SF ² - Wall mount bracket with slipfitter TWMB90-SF ² - Wall mount 90° bracket with slipfitter

FINISH	OPTIONS	WIRELESS CONTROL
--------	---------	------------------

BZ - Bronze
MTO - Made to Order
MGTO - Marine grade made to order

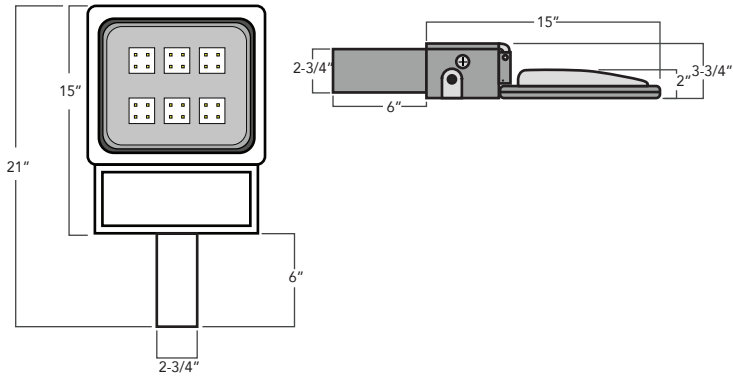
PC1 - Photocell 120V
PC2 - Photocell 277V
PN - Photocell NEMA
MS - Motion Sensor (Bi-Level)
HSS - House side shield
BS - Bird Spikes

LPH - Limelight by Lutron Integral module with PIR sensor and external antennae, - High mounting height
LPM - Limelight by Lutron Integral module with PIR sensor and external antennae - Medium mounting height
LPL - Limelight by Lutron Integral module with PIR sensor and external antennae - Low mounting height
LRF - Limelight by Lutron Integral module with external antennae, RF Only

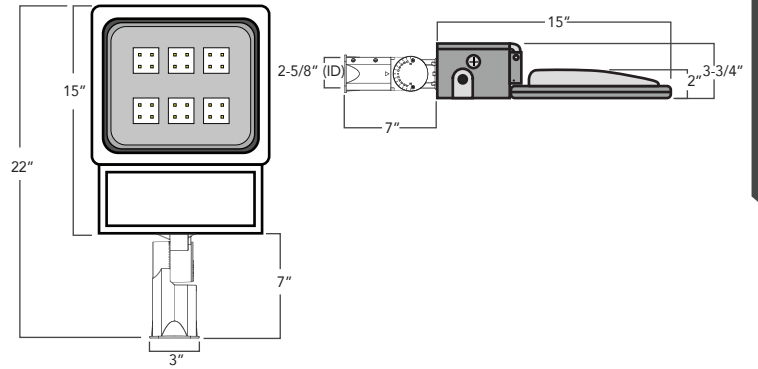
Notes:
1. Step down transformer Required.
2. Requires slipfitter.

MOUNTING DIMENSIONS

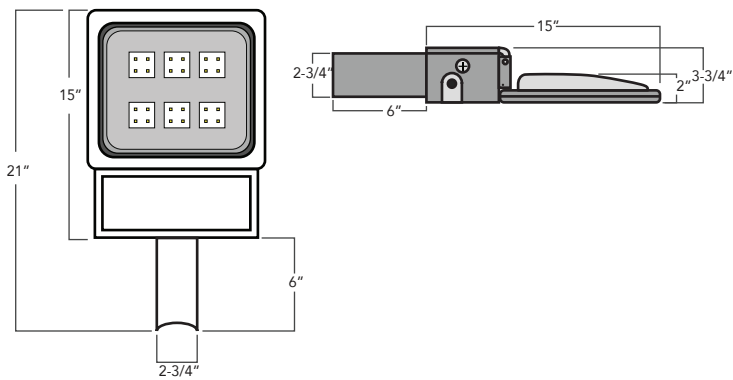
TSAM6/10S - 6"/10" Arm mount Square pole



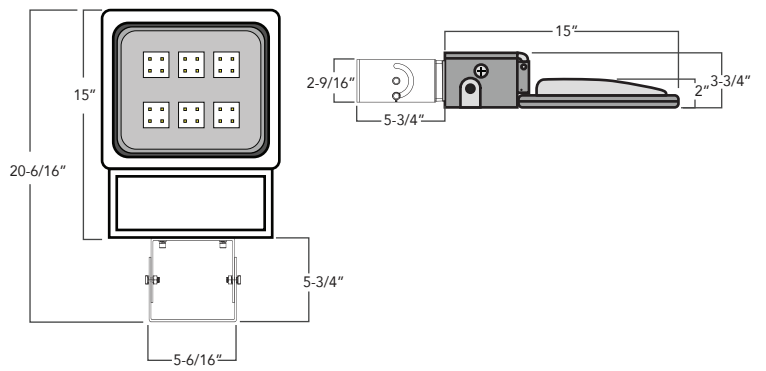
SF - Slipfitter



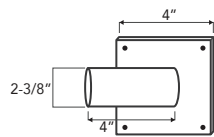
TSAM6/10R - 6"/10" Arm mount round pole



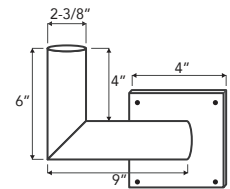
SB - Swivel Bracket



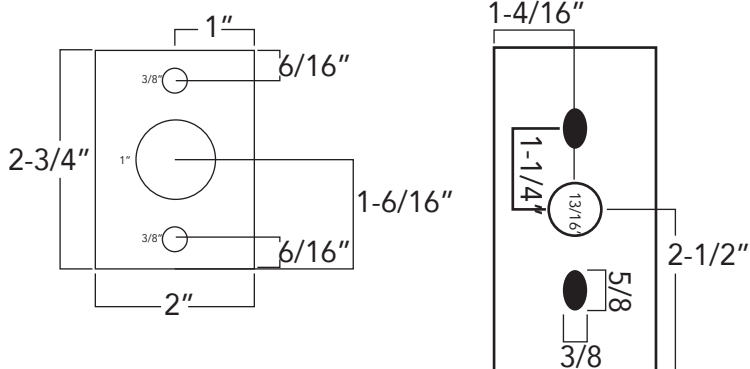
TWMB-SF - Wall mount bracket with slipfitter



TWMB90-SF - Wall mount 90° bracket with slipfitter



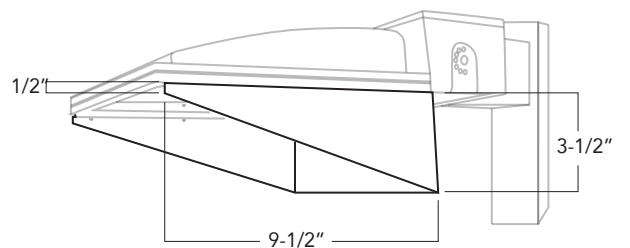
POLE ARM DRILL PATTERN



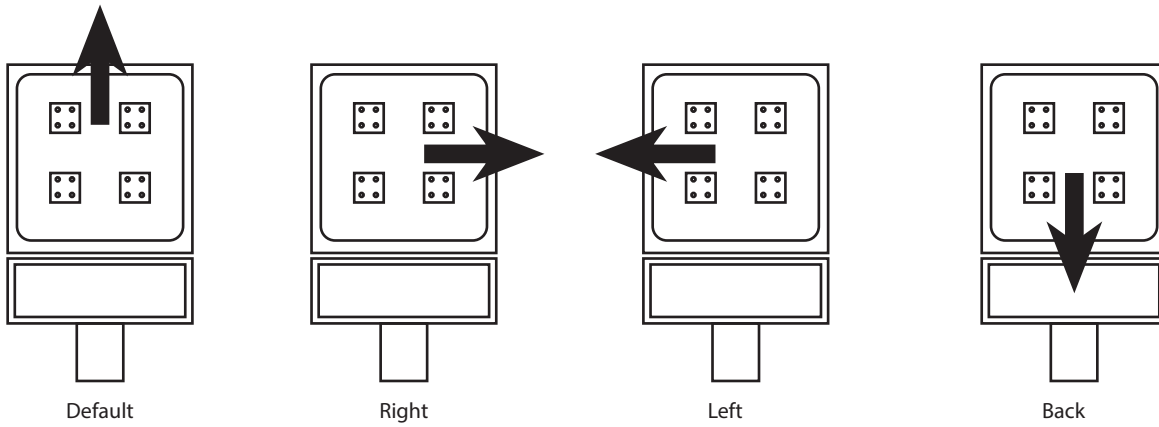
6"/10" Square arm mount drill pattern

Swivel Bracket

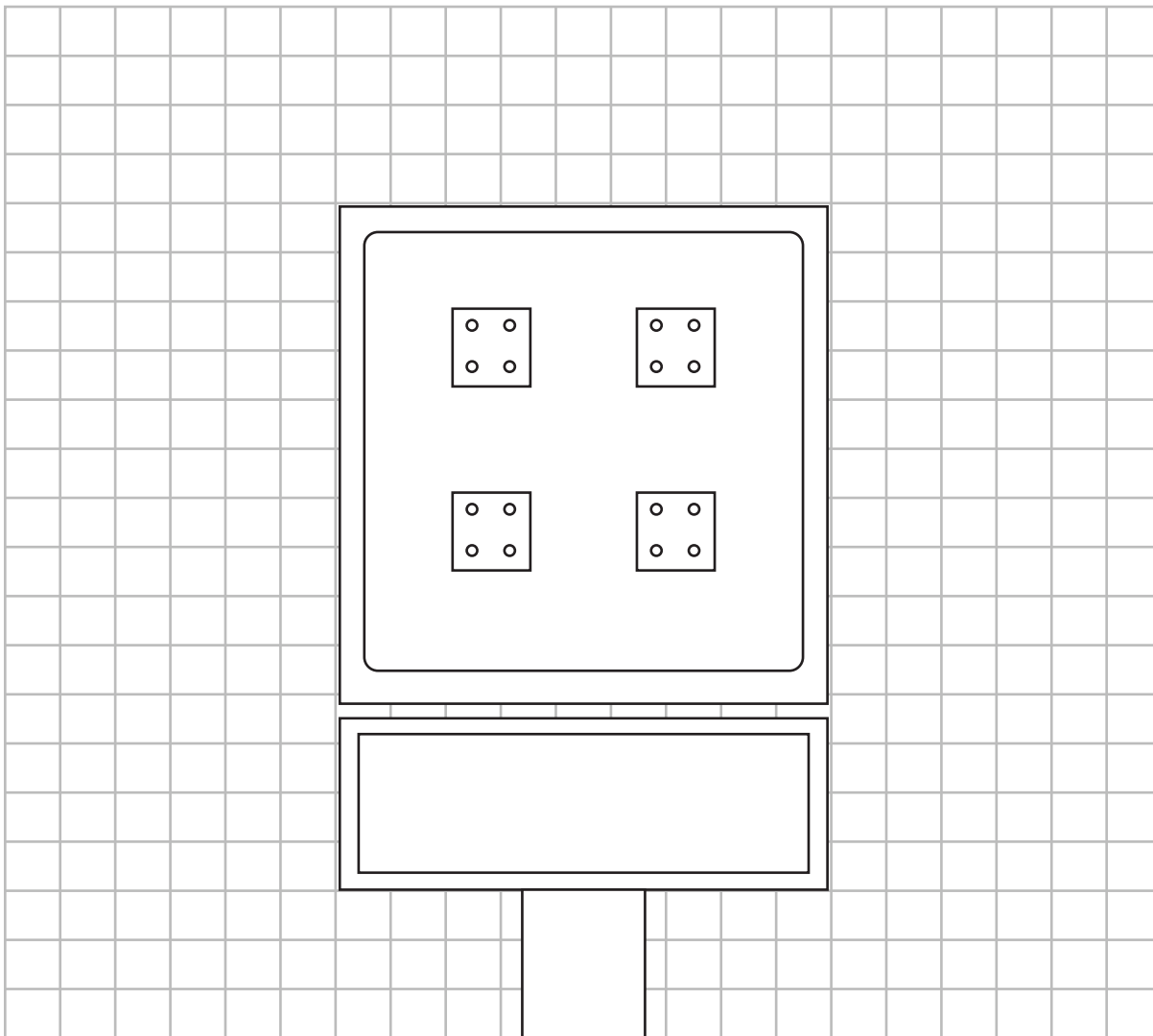
HOUSE SIDE SHIELD



ROTATABLE OPTICS

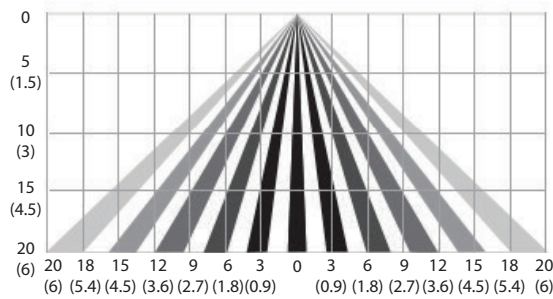
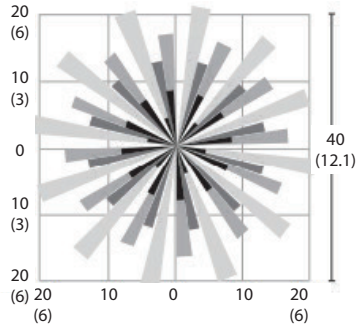


Please illustrate optic direction below and consult with factory

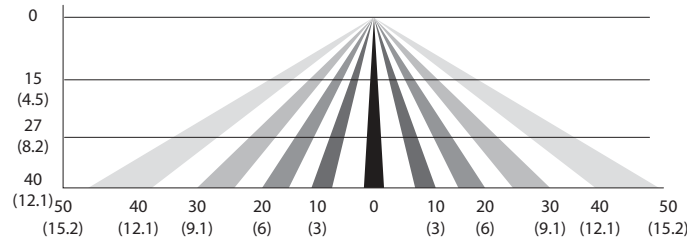
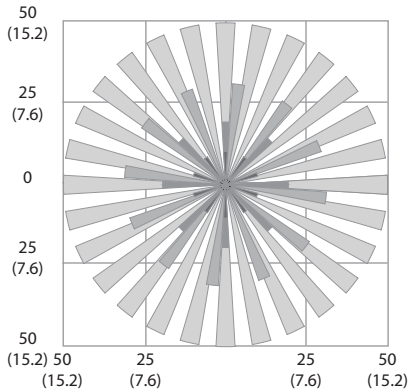


PIR HEIGHT

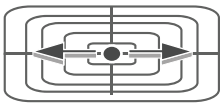
LPM - Lutron wireless radio module and sensor (medium mounting height 20ft)



LPH - Lutron wireless radio module and sensor (high mounting height 40ft)



DISTRIBUTION TYPE



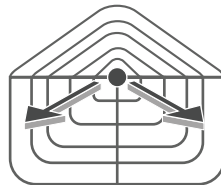
TYPE I

Type I is intended for walkways, roadways or any narrow paths. Typically known for its two-way lateral distribution having a preferred lateral width of 15° at the cone. Type I focuses majority of its light near the center of the pathway for even light disbursement since the light projects laterally at a 15° angle.



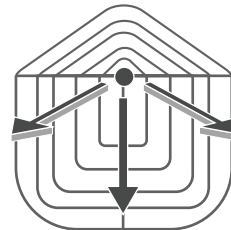
TYPE II

Type II distribution is well suited for expanded walkways, entrance roadway lighting and other applications. Having a lateral width of 18-29° means this type is meant for lighting larger areas.



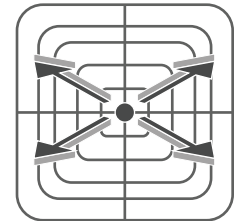
TYPE III

Type III distribution is well suited for roadway lighting, general parking areas and other areas where a larger area of light is required because it gives more coverage further from the point source outward. Type III distribution provides a wide, round pattern and yields an even light disbursement since the light projects outwards.



TYPE IV

Type IV distribution is best intended for sides of buildings and walls because of its semicircular light pattern. Type IV has a preferred lateral width of 60° make it ideal for parking area and court yard.



TYPE V

Type V distribution is intended for mounting at or near center of roadways, center islands of parkways or an intersection. Type V provides central circular or square design pattern, equally across all angles from a central point. It provides the most even pattern of light since light is pushed in all direction from the center.