



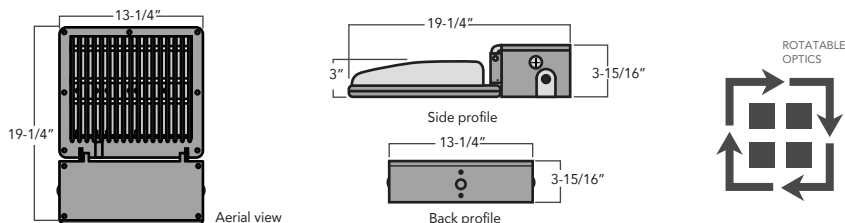
T349LED

19" SLIM LED AREA/FLOOD/WALL MOUNT

JOB INFORMATION	TYPE:
	CATALOG NO.
	PROJECT NAME:
	COMMENTS:
	PREPARED BY:



DIMENSIONS



FEATURES

USE OF PRODUCT

The intended use of this product is ideal for highways, streets, parking lots, public entrances, and any commercial or industrial applications.

HOUSING

Rugged die cast aluminum housing with easy access to fixture compartment.

FINISH

Standard Matt-finished, architectural powdercoat over a precise chromate conversion coating. Consult factory for custom architectural finishes.

OPTICS

White aluminum reflector is designed for maximum photometric efficiency and optimum light distribution. Rotatable optics available in Type I, II, III, IV or V. Flat glass lens provides impact resistance. Lens sealed by a one-piece silicon gasket which prohibits entrance of outside contaminants.

LED

High output LEDs offer a minimum estimated operating life of 50,000 hours in 5000K with CRI>83; Efficacy: 119lm/W. LEDs placed on high performance aluminum heatsink for reduced junction temperatures and extended life.

MOUNTING

Fixture pole must be mounted on a concrete base (supplied by others).

EPA

Effective Projected Area (Sq. Ft.): 0.554 ft² (1 fixture)

B-U-G Rating

T349LED - Type III B3-U0-G4

DRIVER

Durable LED driver operates at 120-277V with 0-10V dimming protocol. Power factor: 0.90; 50 to 60 Hz. Driver protections includes: Output open load, over-current and short-circuit, and over-temperature with auto recovery. -30°C Min Temp. to 40°C Max Temp.

EMERGENCY BATTERY

Optional integral emergency battery available up to 119W.

LISTINGS/COMPLIANCE

- CSA - Listed for wet locations.

ORDERING INFO

T349LED					
SERIES	WATT/LUMENS	VOLTAGE	COLOR TEMPERATURE	DISTRIBUTION TYPES	MOUNTING
T-SERIES LED	30 ¹ - 30W/3330	UNV -120V-277V	30 - 3000K	T1 - Type I	SB - Swivel Bracket
	40 ¹ - 40W/4335	347 ² - 347V	35 - 3500K	T2 - Type II	SF - Slipfitter
	58 ¹ - 58W/6032	480 ² - 480V	40 ³ - 4000K	T3 - Type III	TSAM6S - 6" Arm mount square pole
	84 ¹ - 84W/8756		50 - 5000K	T4 - Type IV	TSAM10S - 10" Arm mount square pole
	119 ¹ - 119W/12354			T5 - Type V	TSAM6R - 6" Arm mount round pole
	170 - 170W/17510				TSAM10R - 10" Arm mount round pole
240 - 240W/25540				TWMB-SF ⁴ - Wall mount bracket with slipfitter	
					TWMB90-SF ⁴ - Wall mount 90° bracket with slipfitter

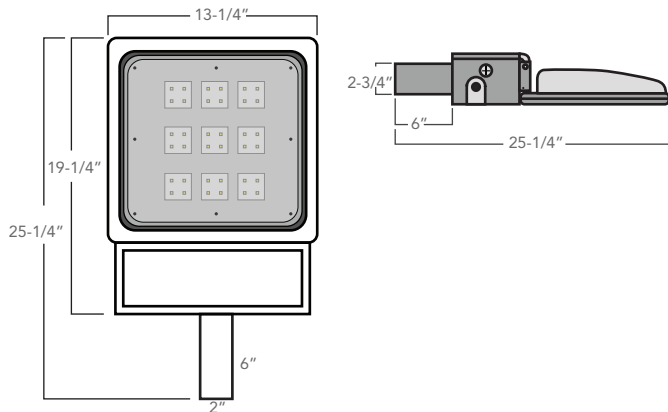
FINISH	OPTIONS	WIRELESS CONTROL
BZ - Bronze MTO - Made to Order MGTO - Marine grade made to order	PC1 - Photocell 120V PC2 - Photocell 277V PN - Photocell NEMA MS - Motion Sensor (Bi-Level, Integral) HSS - House side shield BS - Bird Spikes EM ⁵ - Emergency Battery	LPH - Limelight by Lutron Integral module with PIR sensor and external antennae, - High mounting height LPM - Limelight by Lutron Integral module with PIR sensor and external antennae - Medium mounting height LPL - Limelight by Lutron Integral module with PIR sensor and external antennae - Low mounting height LRF - Limelight by Lutron Integral module with external antennae, RF Only

Notes:

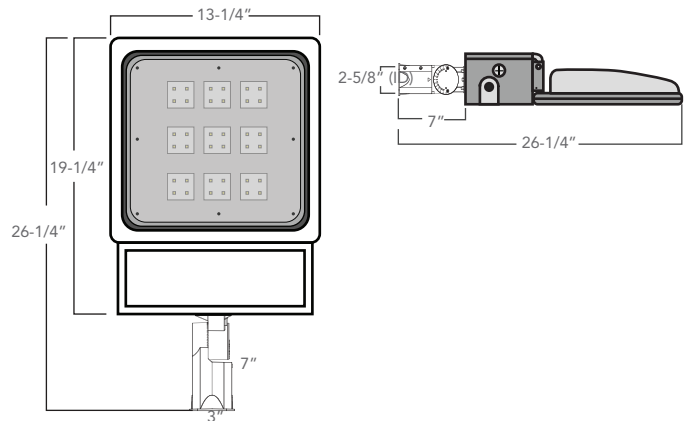
1. Integral Emergency battery.
2. Step down transformer Required.
3. Standard color temperature.
4. Requires slipfitter.
5. Integral EM up to 119W.

MOUNTING DIMENSIONS

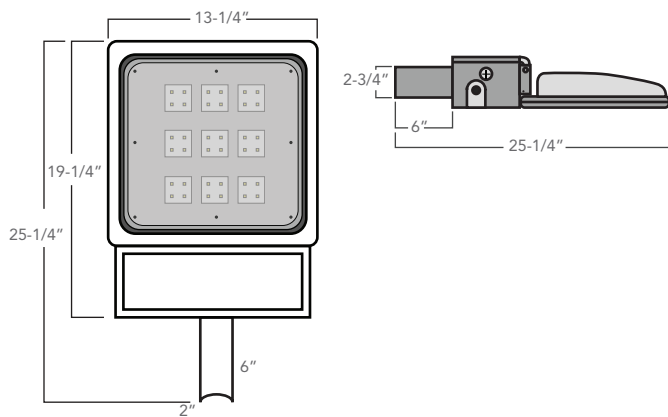
TSAM6/10S - 6"/10" Arm mount square pole



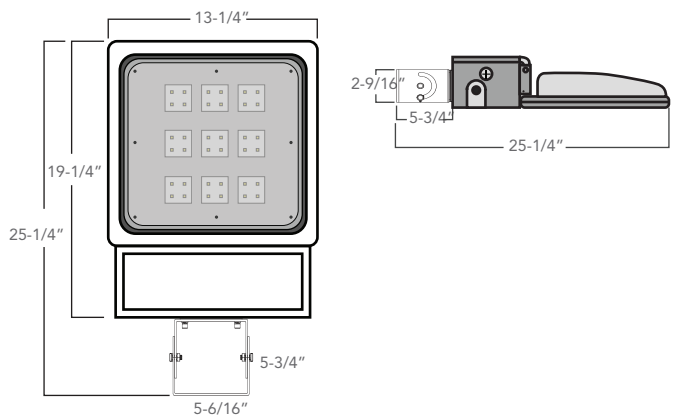
SF - Slipfitter



TSAM6/10R - Arm mount round



SB - Swivel bracket



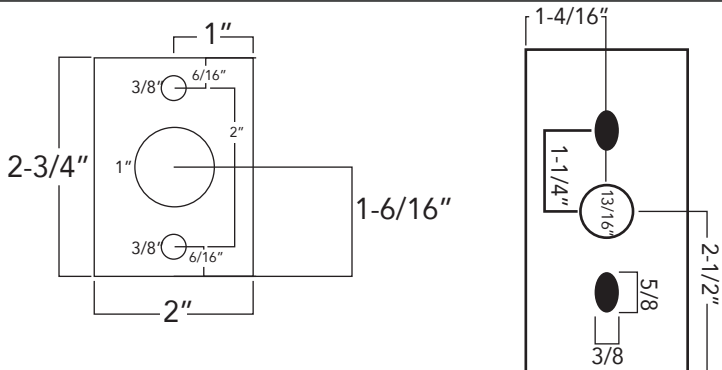
TWMB-SF - Wall mount bracket with slipfitter



TWMB90-SF - Wall mount 90° bracket with slipfitter



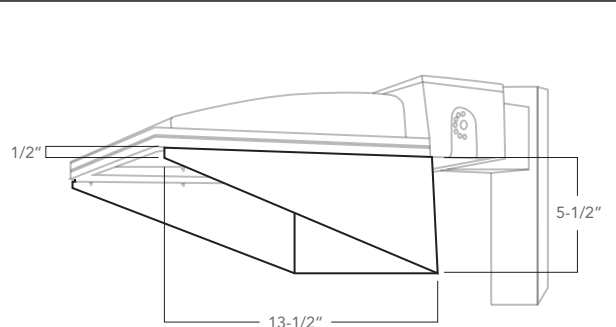
POLE ARM DRILL PATTERN

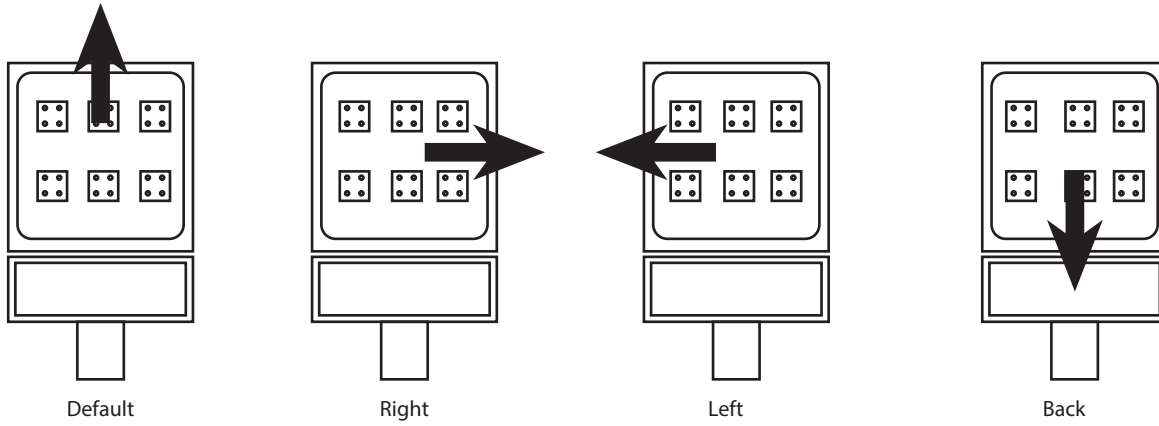


6"/10" Square arm mount drill pattern

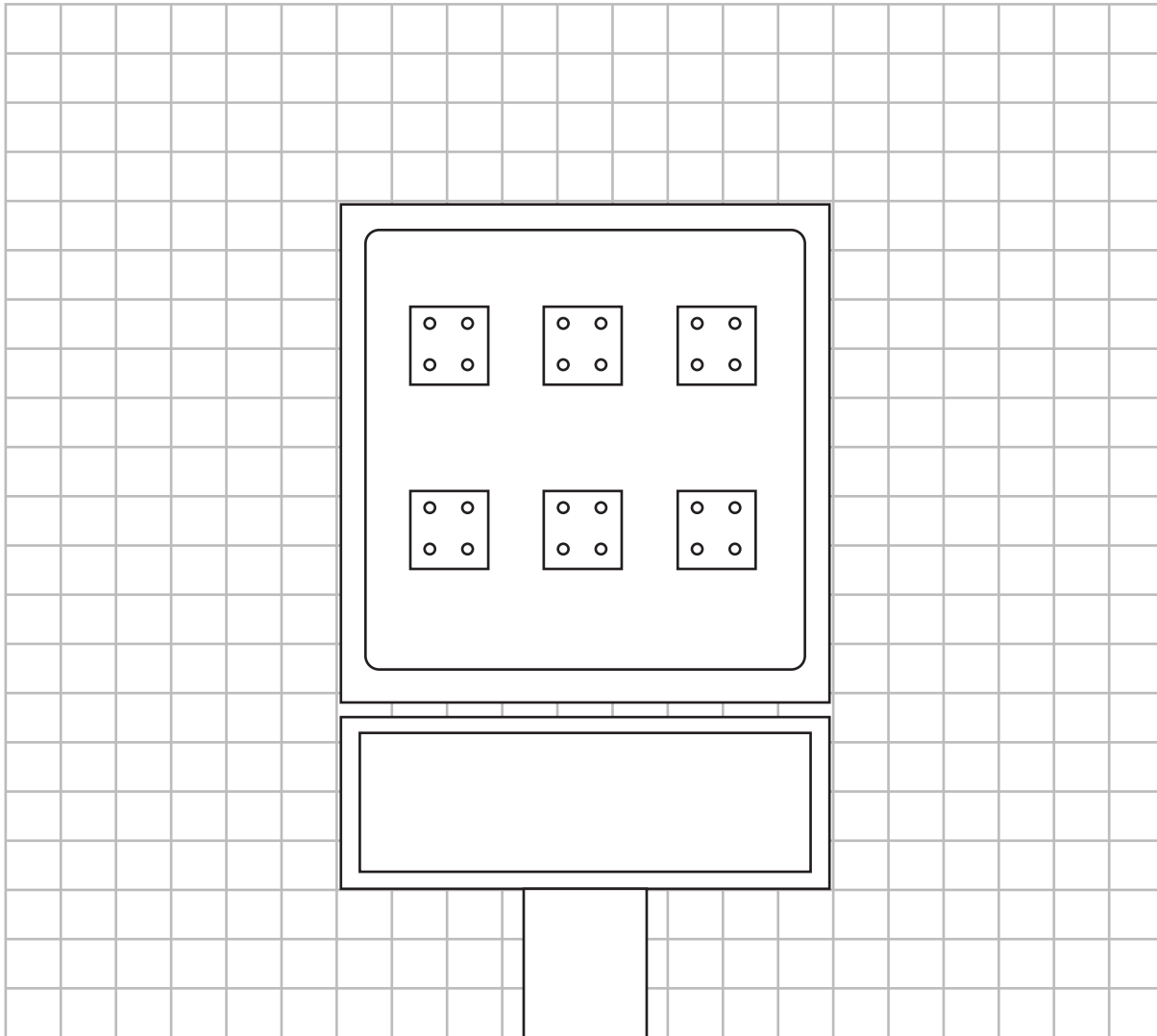
Swivel Bracket

HOUSE SIDE SHIELD



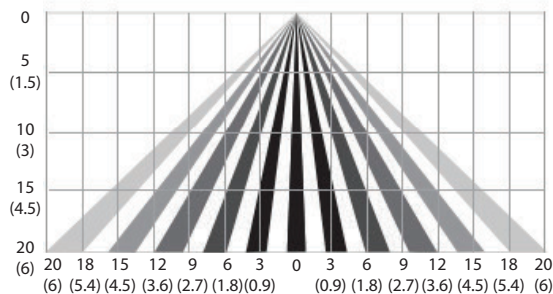
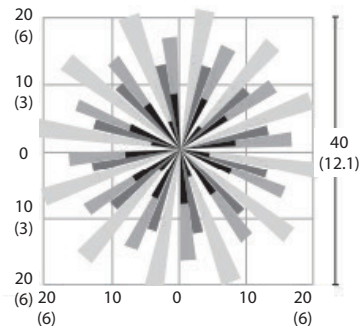


Please illustrate optic direction below and consult with factory

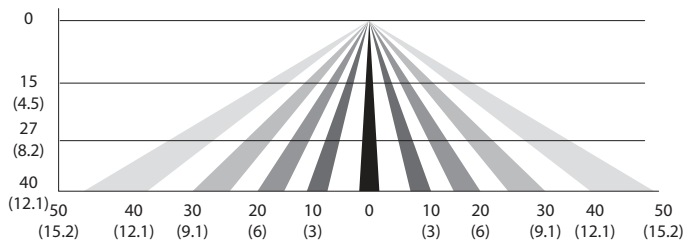
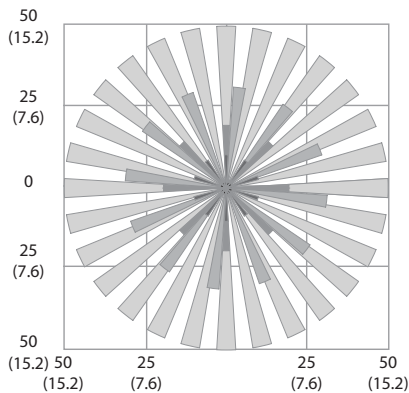


PIR HEIGHT

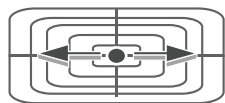
LPM - Lutron wireless radio module and sensor (medium mounting height 20ft)



LPH - Lutron wireless radio module and sensor (high mounting height 40ft)



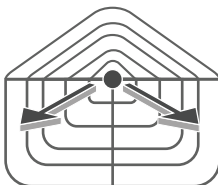
DISTRIBUTION TYPE



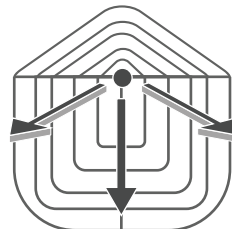
TYPE I
Type I is intended for walkways, roadways or any narrow paths. Typically known for its two-way lateral distribution having a preferred lateral width of 15° at the cone. Type I focuses majority of its light near the center of the pathway for even light disbursement since the light projects laterally at a 15° angle.



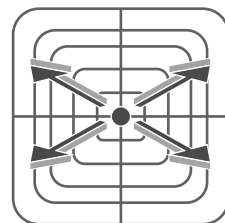
TYPE II
Type II distribution is well suited for expanded walkways, entrance roadway lighting and other applications. Having a lateral width of 18-29° means this type is meant for lighting larger areas.



TYPE III
Type III distribution is well suited for roadway lighting, general parking areas and other areas where a larger area of light is required because it gives more coverage further from the point source outward. Type III distribution provides a wide, round pattern and yields an even light disbursement since the light projects outwards.



TYPE IV
Type IV distribution is best intended for sides of buildings and walls because of its semicircular light pattern. Type IV has a preferred lateral width of 60° make it ideal for parking area and court yard.



TYPE V
Type V distribution is intended for mounting at or near center of roadways, center islands of parkways or an intersection. Type V provides central circular or square design pattern, equally across all angles from a central point. It provides the most even pattern of light since light is pushed in all direction from the center.