

Project:	Catalogue #:	Type:
Notes:		

Product Description

Specification-grade, LED modular linear luminaire with direct and indirect illumination. This luminaire features a narrow design and is ideal for architectural applications that require clean and uniform lines.

Applications

Office Areas, Perimeters, Retail Stores, Corridors, Classrooms, Libraries, Hospitality



Features

- Frosted Lenses
- Continuous row-mounting capability
- 80+ CRI
- Available in pendant, surface and wall mount configurations
- 0-10V, 10% dimming

Featured Options

- Emergency lighting battery pack (Remote mount only)

Optical System

Standard diffuser is frosted extruded snap-in acrylic lens.

Mounting

Standard aircraft cable for suspended-mount application (nominal 4 foot suspension)
Mounting holes are provided for surface-mount applications.

Construction

Extruded aluminum housing.

Finish

White, polyester powder painted housing.

Electrical

Long life LEDs coupled with high efficiency drivers provide quality illumination. Rated to deliver L80 performance >50,000 hours. Standard 4 foot nominal white, singlecircuit. All electrical components are CSA approved or UL listed.

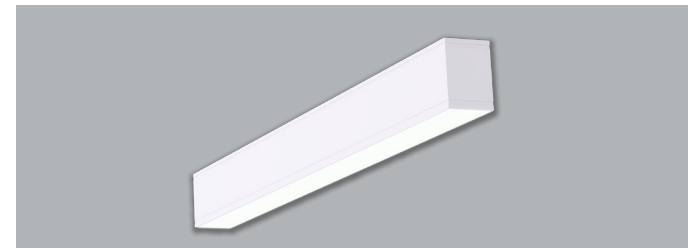
Warranty

5 year limited warranty. For complete warranty, click here:

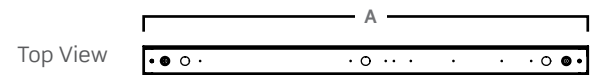


Approvals

- Approved to CSA/UL standards.
- Rated for damp locations



Dimensions



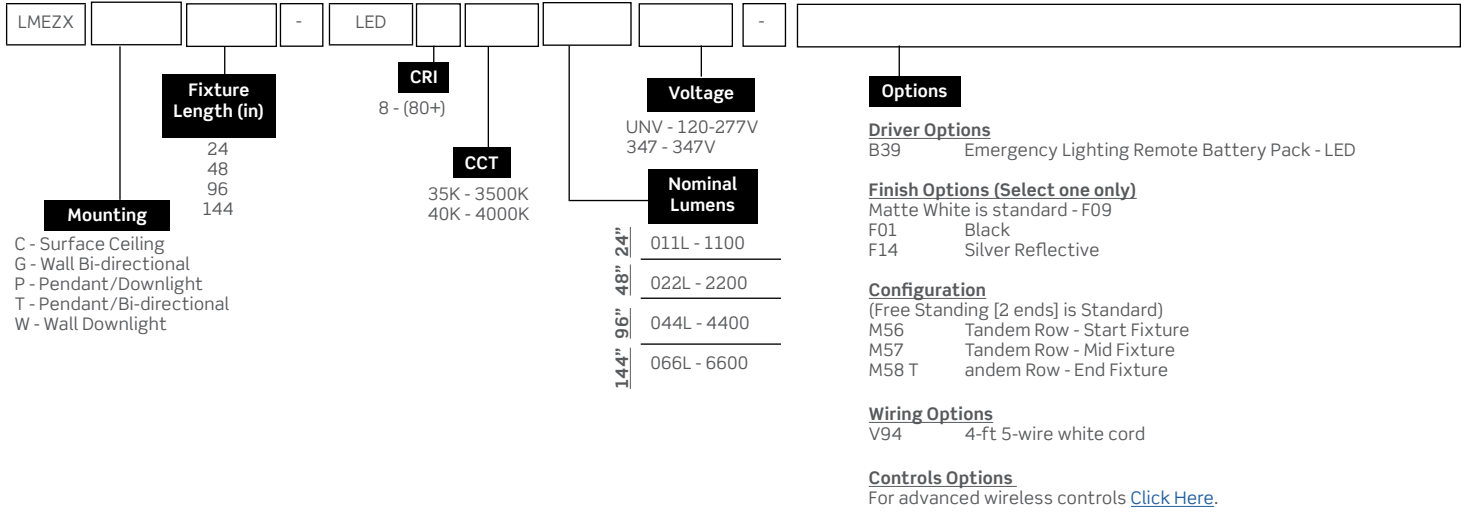
Size	A	B	C
24	22 3/8"	3"	4 1/2"
48	44 3/8"	3"	4 1/2"
96	88 5/8"	3"	4 1/2"
144	132 7/8"	3"	4 1/2"

Consult installation guide for exact dimensions.

Project:	Catalogue #:	Type:
Notes:		

Order Key

EXAMPLE: LMEZXC48-LED840K022LUNV



Other options may be available, consult factory. Specifications and data subject to change without notice.

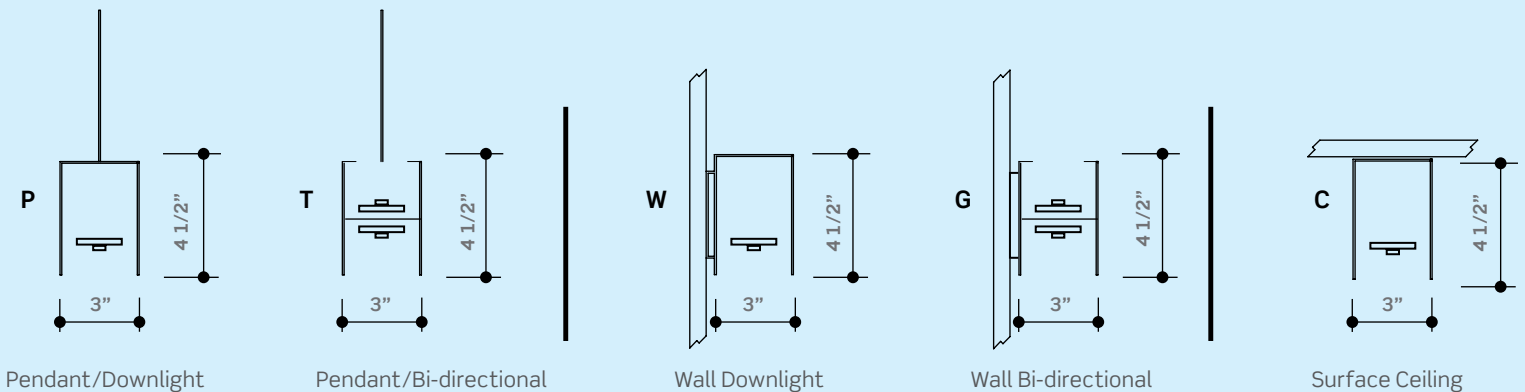
Performance Data

Size	Nominal Lumens	Watts
24"	1100	11
48"	2200	21
96"	4400	37
144"	6600	58

Performance Scaling Factor

	50K	40K	35K	30K
80CRI	1.000	1.000	0.960	0.946
90CRI	0.875	0.875	0.836	0.809

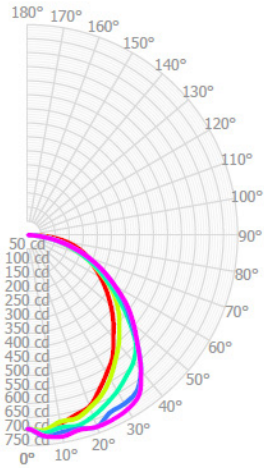
Mounting



Project:	Catalogue #:	Type:
Notes:		

Photometrics

IES File: **LMEZXP48-LED840K022LUNV**
 Lumens: **2211**
 Wattage: **16.28**
 Efficacy: **136**



Zonal Lumen Summary

Zone	Lumens	%Fixture
0.0° - 30.0°	584	26.3%
0.0° - 40.0°	965	43.5%
0.0° - 60.0°	1717	77.3%
0.0° - 90.0°	2220	100.0%
0.0° - 110.0°	2220	100.0%
0.0° - 130.0°	2220	100.0%
0.0° - 150.0°	2220	100.0%
0.0° - 170.0°	2220	100.0%
0.0° - 180.0°	2220	100.0%

Coefficients of Utilization

ρc	80%			70%			50%		
	70%	50%	30%	70%	50%	30%	70%	50%	30%
ρw									
0	120	120	120	117	117	117	112	112	112
1	109	104	99	106	102	97	101	97	94
2	99	90	83	96	88	82	91	85	79
3	90	79	71	87	77	70	83	74	68
4	82	70	61	80	69	60	76	66	59
5	76	62	53	73	61	53	69	59	51
6	70	56	47	68	55	47	64	53	46
7	65	51	42	63	50	42	60	48	41
8	60	46	38	59	46	37	56	44	37
9	56	43	34	55	42	34	52	41	33
10	53	39	31	51	39	31	49	38	31

Average Luminance Table (cd/m2) CP Summary

	0.00°	45.00°	90.00°
0.00°	8886	8886	8886
45.00°	7902	9954	10137
55.00°	7728	8954	9734
65.00°	7969	8287	9052
75.00°	9506	7568	8189
85.00°	12636	6425	5900

Effective Floor Cavity Reflectance: 20%