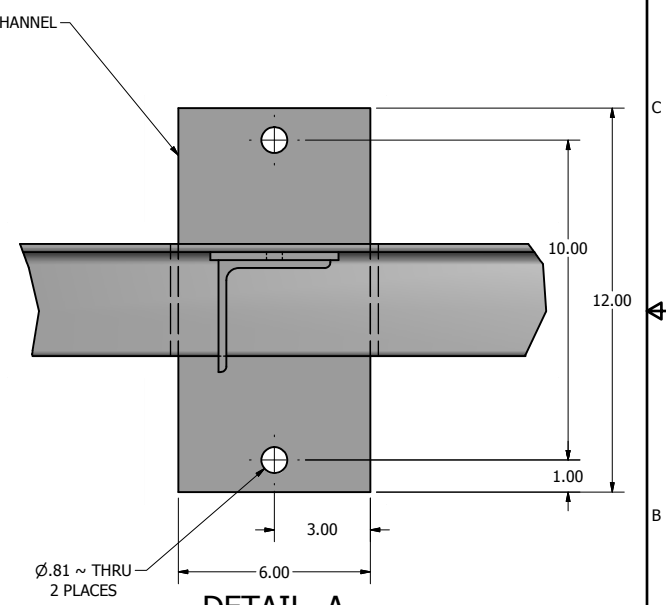
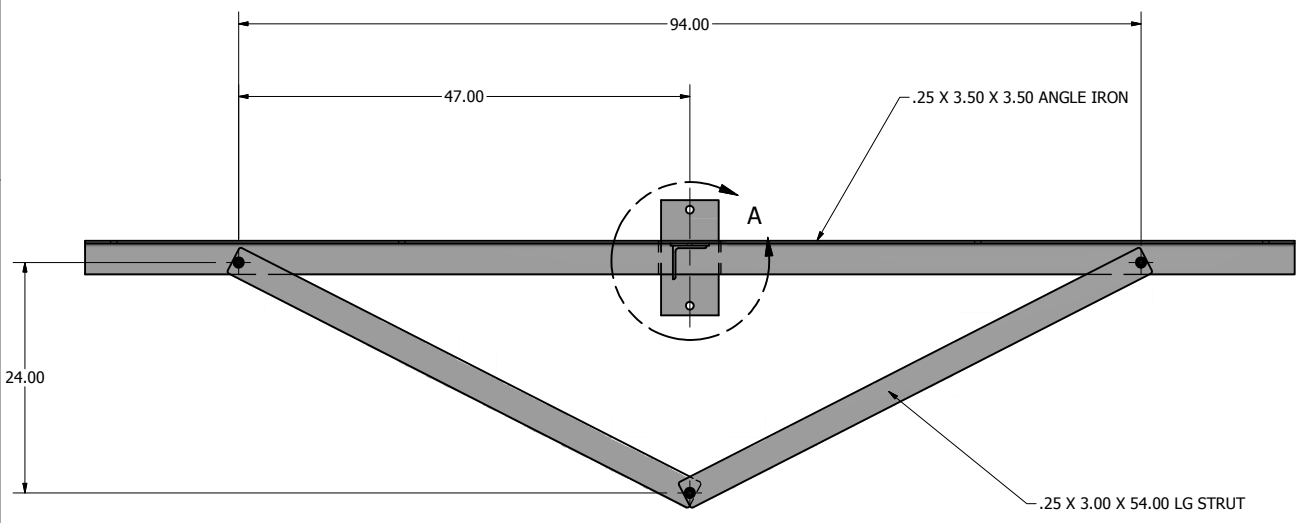
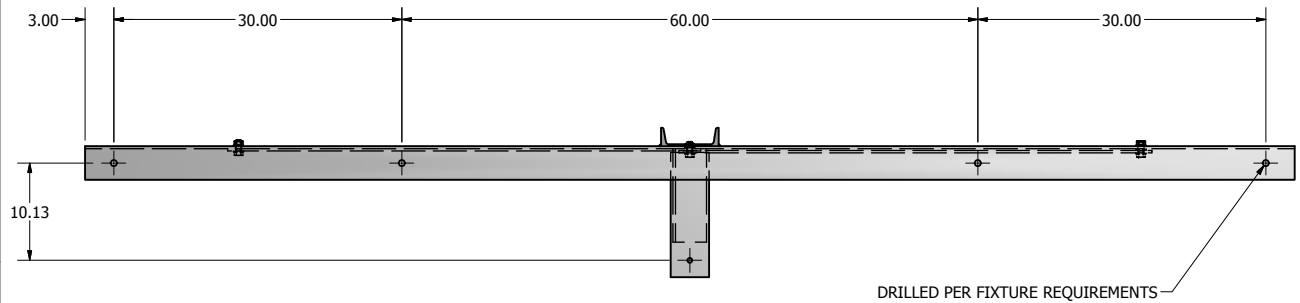


PXBW BRACKET SPECIFICATIONS		
CATALOG #	# OF FIXTURES	EPA (SQ. FT.)
PXBW-5	5	4.50



DETAIL A
MOUNTING CHANNEL DETAIL VIEW

NOTE: PXBW CROSS ARM BRACKETS ARE CONSTRUCTED WITH STRUCTURAL ANGLE IRON & C CHANNEL CONFORMING TO ASTM A-36 HRS SPECIFICATIONS. PXBW BRACKETS ARE DESIGNED FOR DIRECT SIDE MOUNTING TO WOOD POLES. BRACKETS SHALL HAVE A POLYESTER POWDER COAT FINISH IN A STANDARD COLOR.

	DRAWN: M. HARVALA	2/9/2015
	CHECKED	
	REVISION:	DATE:
	APPROVED:	
	QUOTE:	
	S.O.#	
REF:	SCALE: NONE	

UNITED LIGHTING STANDARDS
A DWH COMPANY

23171 Groesbeck Hwy.
Warren, MI 48089
P: (586) 774-5650 | F: (586) 774-5706
www.unitedlightingstandards.com

SOME GEOGRAPHICAL AREAS HAVE SPECIAL WIND CONDITIONS THAT CAN CREATE WIND INDUCED VIBRATIONS CAUSING A FATIGUE PROBLEM. NO METHOD HAS YET BEEN FOUND FOR PREDICTING DESTRUCTIVE LIGHTING POLE VIBRATION. THESE CONDITIONS ARE UNIQUE AND CANNOT BE GUARANTEED AGAINST, AND ARE THE RESPONSIBILITY OF A LOCAL SITE ENGINEER.		
TITLE:		
CATALOG:		
DWG NO:	PXBW-5	SIZE: C SHEET 1 OF 1