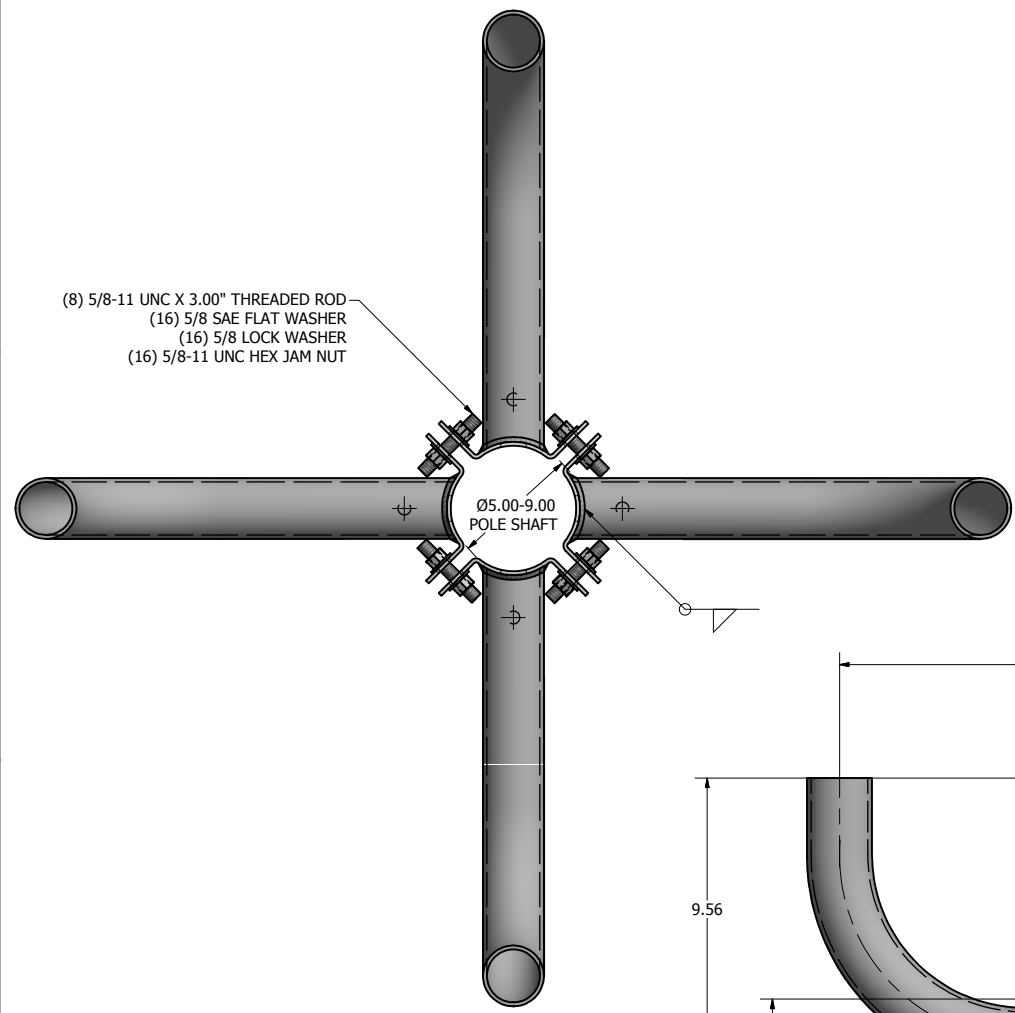
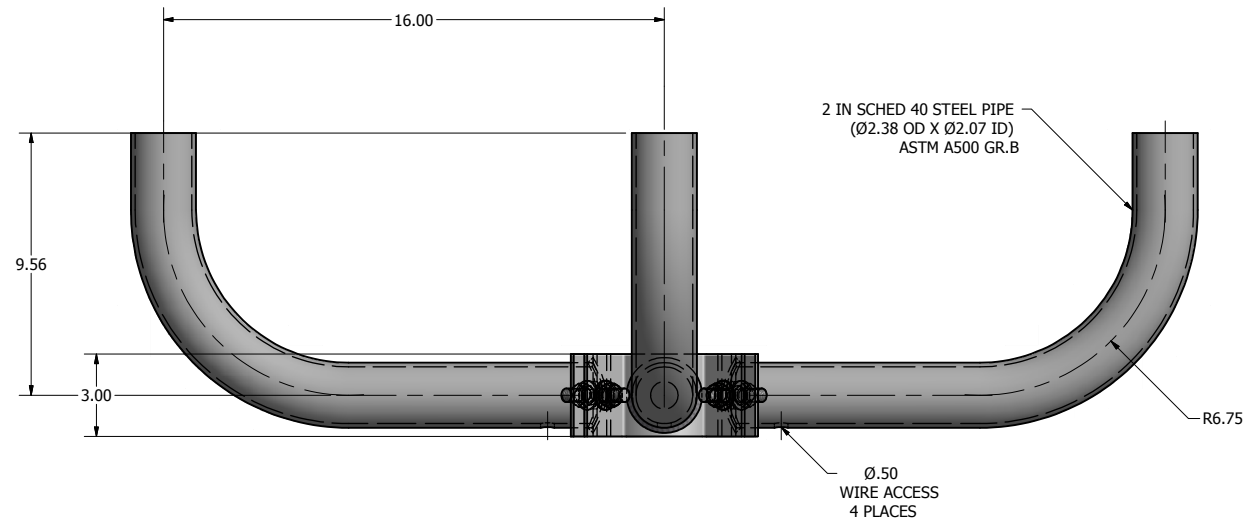


PCB FLOODLIGHT BRACKETS			
CATALOG #	# OF FLOODLIGHTS	POLE SIZING	LUMINAIRE WEIGHT (PER ARM)
PCB3-4	4	5.00-9.00 DIA	50 LBS. MAX

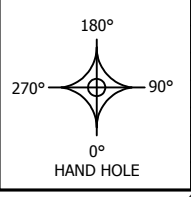
- (8) 5/8-11 UNC X 3.00" THREADED ROD
- (16) 5/8 SAE FLAT WASHER
- (16) 5/8 LOCK WASHER
- (16) 5/8-11 UNC HEX JAM NUT



TOP VIEW



**NOTE:** LUMINAIRE WEIGHT PER ARM 50 LBS MAX.  
**FINISH:** BRACKET SHALL BE POLYESTER POWDER COAT FINISH IN A STANDARD COLOR OR HOT DIPPED GALVANIZED FINISH PER ASTM A123 SPECIFICATIONS.



DRAWN: L. GRUNIS	3/3/2017
CHECKED:	
REVISION:	DATE:
APPROVED:	
QUOTE:	
S.O.#	
REF:	SCALE: NONE

**UNITED LIGHTING STANDARDS**  
A DWH COMPANY

23171 Groesbeck Hwy.  
 Warren, MI 48089  
 P: (586) 774-5650 | F: (586) 774-5706  
[www.unitedlightingstandards.com](http://www.unitedlightingstandards.com)

SOME GEOGRAPHICAL AREAS HAVE SPECIAL WIND CONDITIONS THAT CAN CREATE WIND INDUCED VIBRATIONS CAUSING A FATIGUE PROBLEM. NO METHOD HAS YET BEEN FOUND FOR PREDICTING DESTRUCTIVE LIGHTING POLE VIBRATION. THESE CONDITIONS ARE UNIQUE AND CANNOT BE GUARANTEED AGAINST, AND ARE THE RESPONSIBILITY OF A LOCAL SITE ENGINEER.		
TITLE:		
CATALOG:		
DWG NO: PCB3-4	SIZE: C	SHEET 1 OF 1