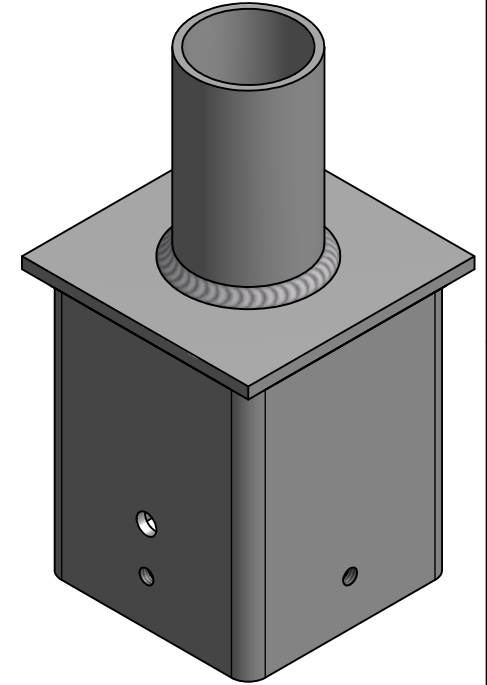
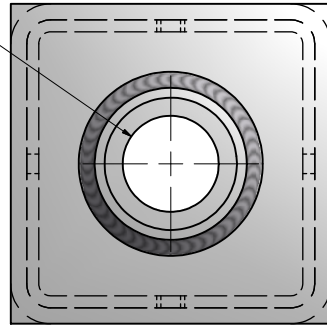
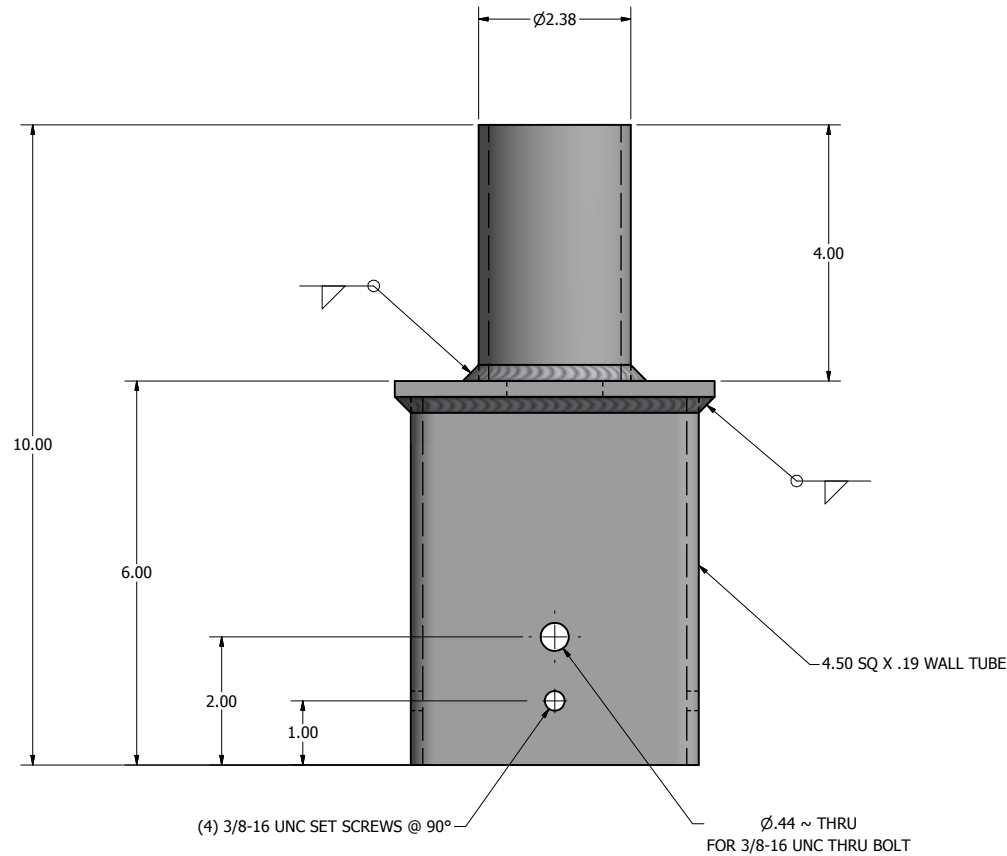


WIRE ACCESS HOLE



PTR-4SQ-T2-STD



**TENON OPTIONS**  
 T2-  $\varnothing 2.38$  OD X 4.00 LG  
 T3-  $\varnothing 3.00$  OD X 5.00 LG  
 T4-  $\varnothing 4.00$  OD X 6.00 LG  
 NOTE: OTHER TENON SIZES AVAILABLE UPON REQUEST,  
 CONTACT FACTORY FOR ADDITIONAL SIZES.

**FINISH: BRACKET TO BE STANDARD POLYESTER POWDER COAT FINISH.**

<p>HAND HOLE</p>	DRAWN: M. HARVALA	2/10/2015
	CHECKED:	
	REVISION:	DATE:
	APPROVED:	
	QUOTE:	
	S.O.#	
	REF:	SCALE: NONE

UNITED LIGHTING STANDARDS  
 A DWH COMPANY

23171 Groesbeck Hwy.  
 Warren, MI 48089  
 P: (586) 774-5650 | F: (586) 774-5706  
[www.unitedlightingstandards.com](http://www.unitedlightingstandards.com)

SOME GEOGRAPHICAL AREAS HAVE SPECIAL WIND CONDITIONS THAT CAN CREATE WIND INDUCED VIBRATIONS CAUSING A FATIGUE PROBLEM. NO METHOD HAS YET BEEN FOUND FOR PREDICTING DESTRUCTIVE LIGHTING POLE VIBRATION. THESE CONDITIONS ARE UNIQUE AND CANNOT BE GUARANTEED AGAINST, AND ARE THE RESPONSIBILITY OF A LOCAL SITE ENGINEER.		
TITLE:		
CATALOG:		
DWG NO: PTR-4SQ-T2-STD	SIZE: C	SHEET 1 OF 1