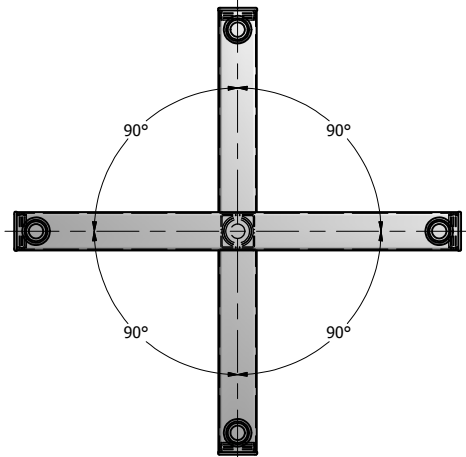
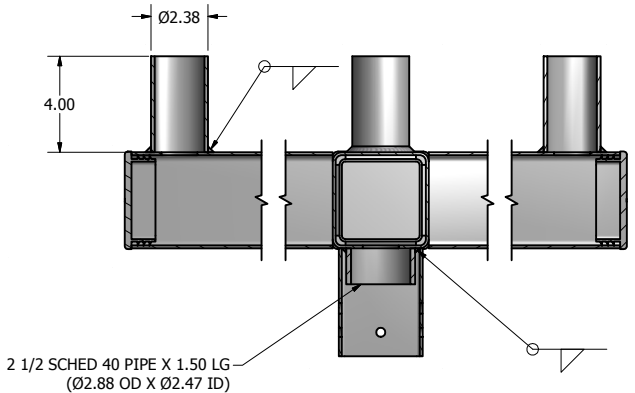
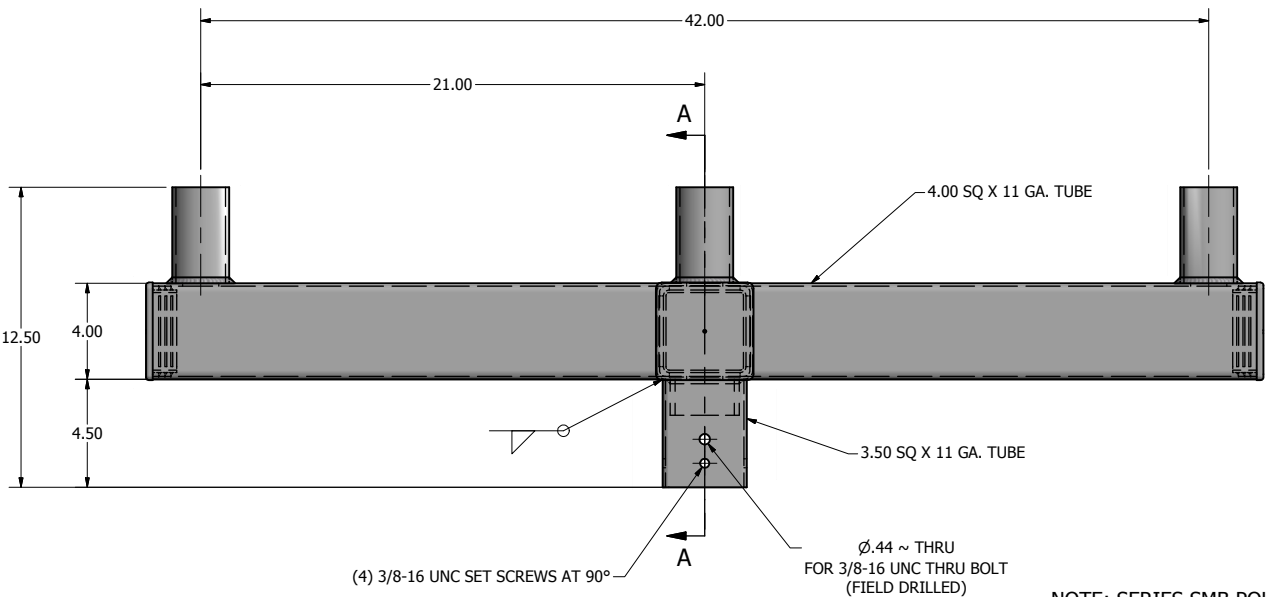


SMB POLE TOP MOUNTING BRACKET		
CATALOG #	BRACKET DESCRIPTION	EPA (SQ. FT.)
SMB-4	4 FLOOD LIGHT BRACKET	2.1



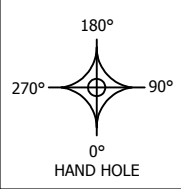
VIEW B-B
SMB-4 TOP VIEW



SECTION A-A

NOTE: SERIES SMB POLE TOP FLOOD LIGHT MOUNTING BRACKETS SLIP FIT (Ø2.38 OD) POLE TOP TENONS. EACH BRACKET HAS A MAXIMUM CAPACITY OF 1000 WATT FLOOD LIGHTS. SLIP FITTERS FOR Ø3.00 & Ø4.00 TENONS ARE AVAILABLE UPON REQUEST. SMB BRACKETS ARE FINISHED TO MATCH POLE.

SMB BRACKETS CATALOGED ARE CONSTRUCTED OF STEEL AND ARE DESIGNED FOR USE WITH STEEL OR ALUMINUM POLES. IF ALUMINUM BRACKETS ARE REQUIRED FOR ALUMINUM POLES, CONTACT YOUR REPRESENTATIVE.



DRAWN: M. HARVALA	2/9/2015
CHECKED	
REVISION:	DATE:
APPROVED:	
QUOTE:	
S.O.#	
REF:	SCALE: NONE

UNITED LIGHTING STANDARDS
A DWH COMPANY

23171 Groesbeck Hwy.
Warren, MI 48089
P: (586) 774-5650 | F: (586) 774-5706
www.unitedlightingstandards.com

SOME GEOGRAPHICAL AREAS HAVE SPECIAL WIND CONDITIONS THAT CAN CREATE WIND INDUCED VIBRATIONS CAUSING A FATIGUE PROBLEM. NO METHOD HAS YET BEEN FOUND FOR PREDICTING DESTRUCTIVE LIGHTING POLE VIBRATION. THESE CONDITIONS ARE UNIQUE AND CANNOT BE GUARANTEED AGAINST, AND ARE THE RESPONSIBILITY OF A LOCAL SITE ENGINEER.		
TITLE:		
CATALOG:		
DWG NO: SMB-4	SIZE: C	SHEET 1 OF 1