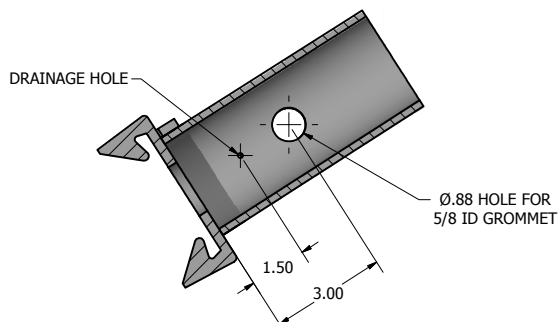
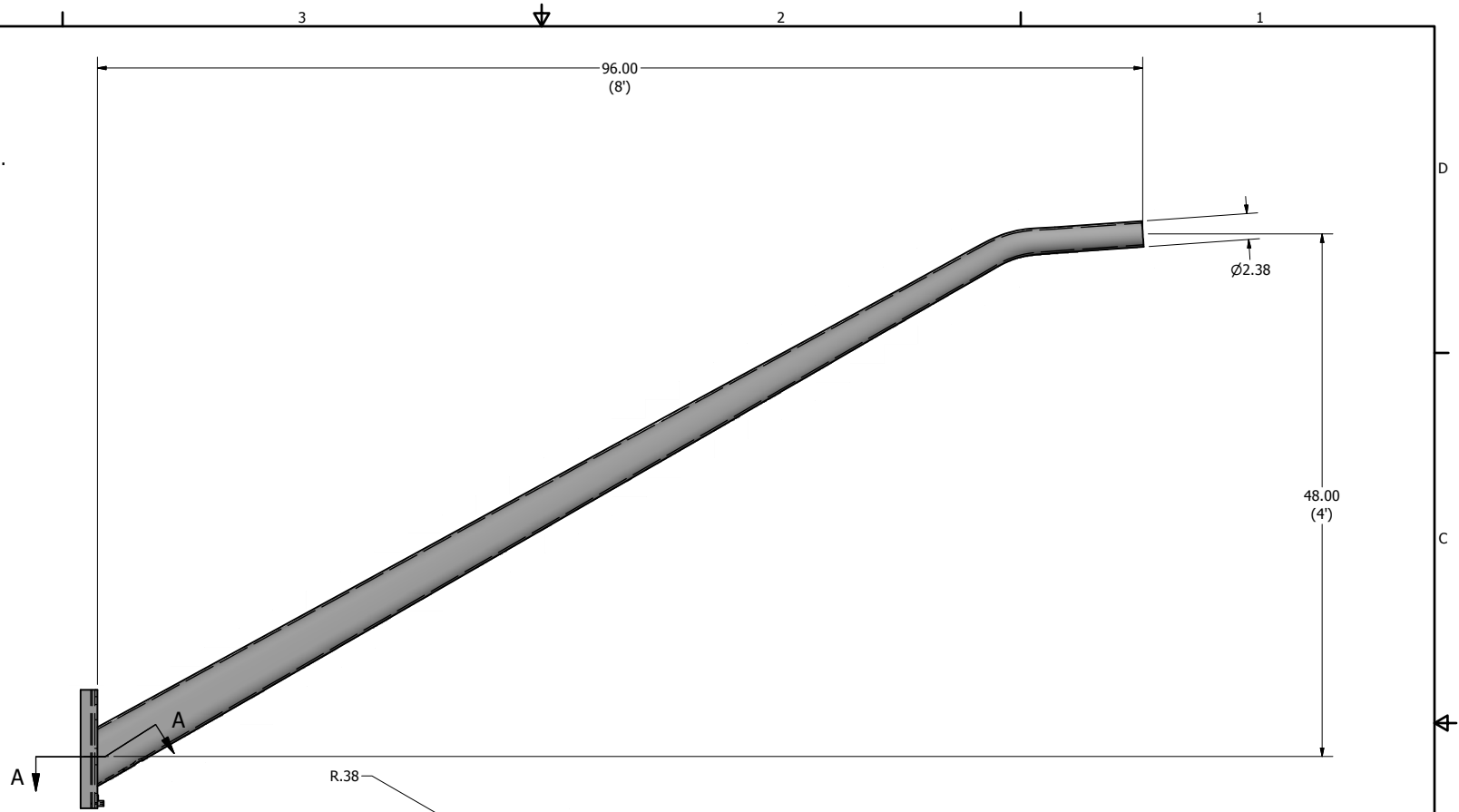
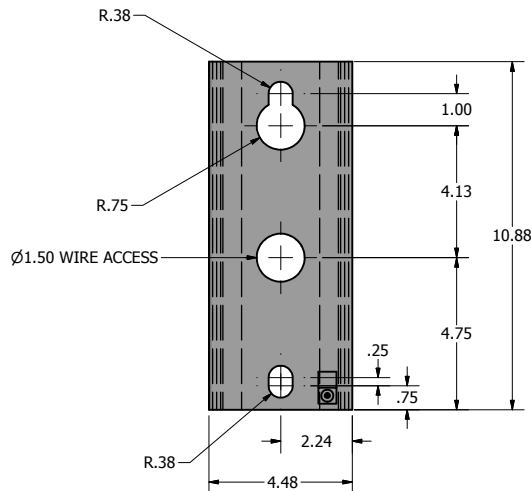


ARM RATING (PER AASHTO 1994)
 WIND SPEED: 90 MPH MAX.
 GUST: 117 MPH MAX.
 EPA (LUMINAIRE): 2.5 SQ. FT. MAX.
 WEIGHT (LUMINAIRE): 50 LBS. MAX.
 MAX. 40' ABOVE GRADE LUMINAIRE M.H.



SECTION A-A
 DRAIN HOLE & WIRE HOLE DETAIL VIEW



MOUNTING PLATE DETAIL VIEW

**FINISH: ARM SHALL BE POLYESTER POWDER
 COAT FINISH IN A STANDARD COLOR.**

| | | |
|--|-------------------|-------------|
| <p>180°</p> <p>270°</p> <p>0°</p> <p>HAND HOLE</p> | DRAWN: M. HARVALA | 2/9/2015 |
| | CHECKED | |
| | REVISION: | DATE: |
| | APPROVED: | |
| | QUOTE: | |
| | S.O.# | |
| | REF: | SCALE: NONE |

UNITED LIGHTING STANDARDS
A DWH COMPANY

23171 Groesbeck Hwy.
 Warren, MI 48089
 P: (586) 774-5650 | F: (586) 774-5706
www.unitedlightingstandards.com

| | | |
|--|------------|----------------------|
| <small>SOME GEOGRAPHICAL AREAS HAVE SPECIAL WIND CONDITIONS THAT CAN CREATE WIND INDUCED VIBRATIONS CAUSING A FATIGUE PROBLEM. NO METHOD HAS YET BEEN FOUND FOR PREDICTING DESTRUCTIVE LIGHTING POLE VIBRATION. THESE CONDITIONS ARE UNIQUE AND CANNOT BE GUARANTEED AGAINST, AND ARE THE RESPONSIBILITY OF A LOCAL SITE ENGINEER.</small> | | |
| TITLE: | | |
| CATALOG: | | |
| DWG NO: | TEA-8A-STD | SIZE: C SHEET 1 OF 1 |