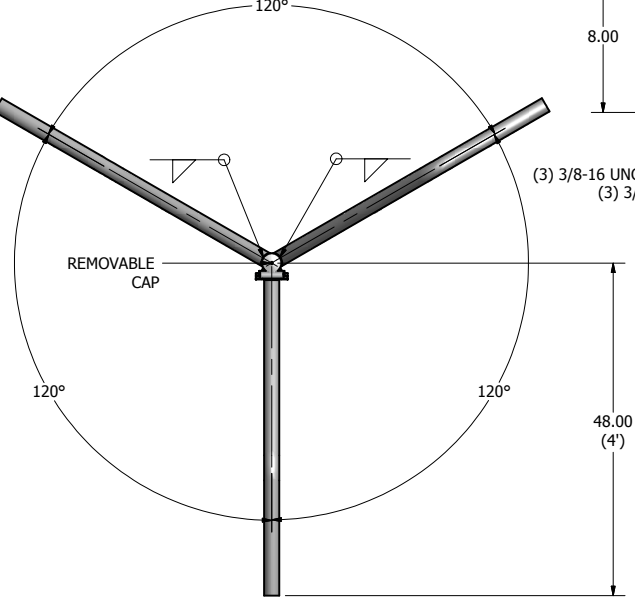
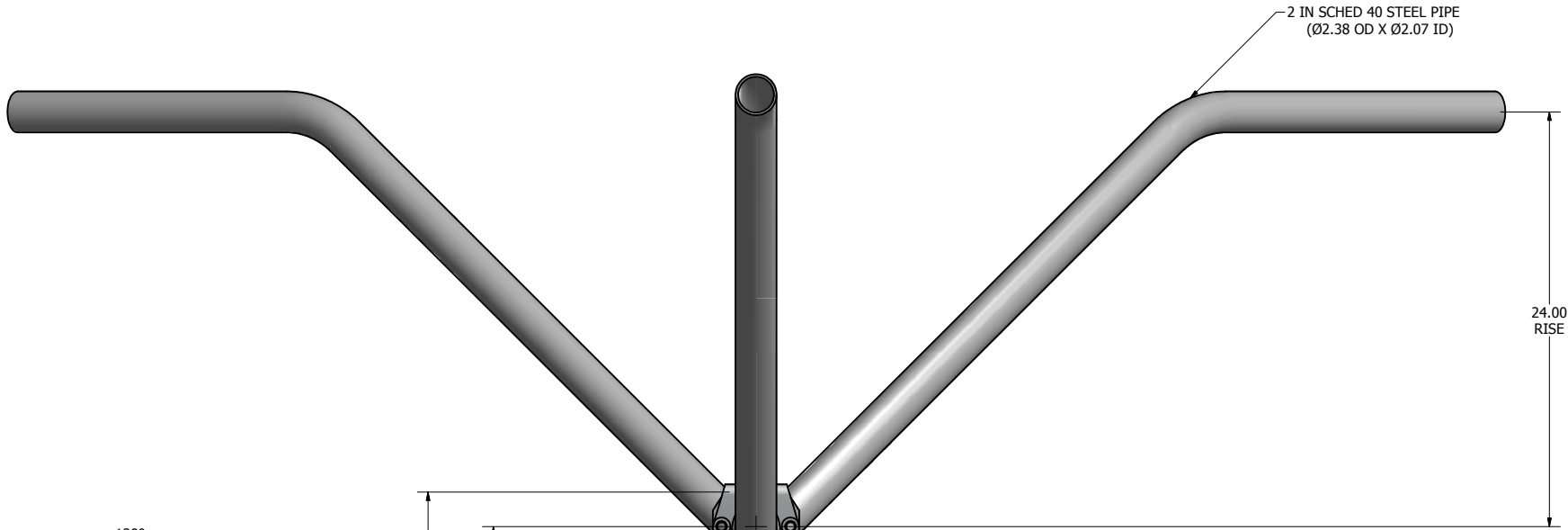
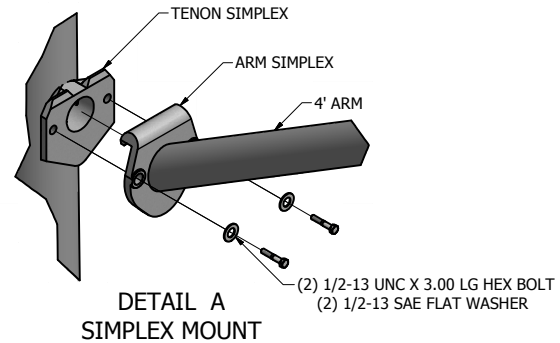


POLE TOP UMB BRACKET SPECIFICATIONS					
CATALOG #	ARM SPAN (FT.)	ARM QTY / ORIENTATION	WEIGHT (LBS.)	EPA (SQ. FT.)	MAX LUMINAIRE EPA (SQ. FT.)
UMB-34	4'	3 @ 120	57 LBS.	1.8	2.0



(3) 3/8-16 UNC X 1.00 LG SET SCREWS AT 120°  
 (3) 3/8-16 UNC HEX JAM NUT

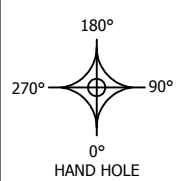
Ø.44 ~ THRU  
 FOR 3/8-16 UNC THRU BOLT  
 (FIELD DRILLED)  
 FOR (1) 3/8-16 X 4.00 LG HEX BOLT  
 (2) 3/8 SAE FLAT WASHER  
 (1) 3/8-16 UNC HEX JAM NUT



NOTE: POLE TOP SERIES UMB BRACKETS SLIP OVER A 2 IN PIPE TENON (Ø2.38 OD). TENON ARMS ARE 2 IN PIPE SIZE (Ø2.38 OD). BRACKETS ARE FINISHED TO MATCH THE POLE.

UMB BRACKETS CATALOGED ARE CONSTRUCTED OF STEEL AND ARE DESIGNED FOR USE ON STEEL OR ALUMINUM POLES. IF ALUMINUM UMB BRACKETS ARE REQUIRED FOR ALUMINUM POLES CONTACT YOUR REPRESENTATIVE.

VIEW A-A  
 UMB-34 TOP VIEW DETAIL



DRAWN: L. GRUNIS	10/5/2016
CHECKED	
REVISION:	DATE:
APPROVED:	
QUOTE:	
S.O.#	
REF:	SCALE: NONE

**UNITED LIGHTING STANDARDS**  
A DWM COMPANY

23171 Groesbeck Hwy.  
 Warren, MI 48089  
 P: (586) 774-5650 | F: (586) 774-5706  
[www.unitedlightingstandards.com](http://www.unitedlightingstandards.com)

SOME GEOGRAPHICAL AREAS HAVE SPECIAL WIND CONDITIONS THAT CAN CREATE WIND INDUCED VIBRATIONS CAUSING A FATIGUE PROBLEM. NO METHOD HAS YET BEEN FOUND FOR PREDICTING DESTRUCTIVE LIGHTING POLE VIBRATION. THESE CONDITIONS ARE UNIQUE AND CANNOT BE GUARANTEED AGAINST, AND ARE THE RESPONSIBILITY OF A LOCAL SITE ENGINEER.	
TITLE:	
CATALOG:	
DWG NO: UMB-34	SIZE: C SHEET 1 OF 1