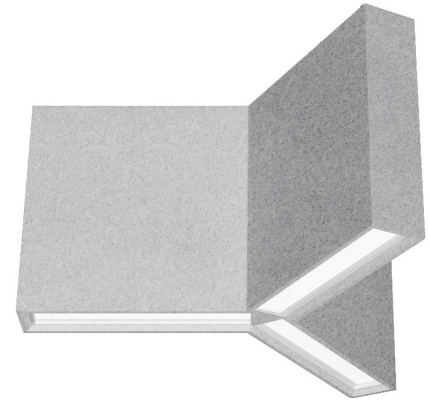


Date	Notes
Project	
Type Qty	



20 unique colors to choose from. See page 2 to specify.



12" Panel Shown
Cross Sections
on page 2.

Features

- Combines noise control and illumination in a simple lighting and acoustic solution.
- Boosts human performance by reducing distracting noise levels and reverberations.
- Promotes an inviting space for personal wellbeing, focus and concentration.
- Improves privacy during sensitive communication by reducing echoes and reflected sound.
- Creates a decorative floating ceiling in otherwise open-ceiling interior applications.

Ordering Guide

MODEL	OPTICS	CCT	LUMENS ²	LENGTH ³	MOUNTING ³	FINISH	OPTIONS ⁴
TRIL-14-DI	SI					W	
TRIL-14-DI Direct/Indirect Acoustic	SI = Satin Ice	<p>STATIC WHITE</p> <p>27 = 2700K 80CRI 30 = 3000K 80CRI 35 = 3500K 80CRI 40 = 4000K 80CRI 50 = 5000K 80CRI</p> <p>90 CRI add "9" Ex: 940 = 4000K @ 90 CRI</p> <p>TUNABLE WHITE¹</p> <p>2-Channel White 2DIM10 = for 0-10V 2DALI = for DALI 2DMX = for DMX 2PSQ = for Lutron 2SNS = for Signify 2CAS = for Casambi</p> <p>BIOS SkyBlue™</p> <p>Consult factory for all BIOS SkyBlue options.</p>	<p>2' LUMENS LO = 2280 (23W, 99LPW)</p> <p>SO = 3099 31W, 99LPW)</p> <p>HO = 3761 (39W, 96LPW)</p> <p>4' LUMENS LO = 5798 (55W, 106LPW)</p> <p>SO = 7795 (73W, 106LPW)</p> <p>HO = 9531 (91W, 105LPW)</p> <p>6' LUMENS LO = 9276 (86W, 108LPW)</p> <p>SO = 12,402 (115W, 108LPW)</p> <p>HO = 15,338 (144W, 107LPW)</p> <p>All outputs are for 12" high acoustic solution. Distributions for all are: 53% Direct 47% Indirect</p>	<p>2 = 2' Dia. 4 = 4' Dia. 6 = 6' Dia. See size detail page 4.</p>	<p>AC = Aircraft Cable (3)</p> <p>ACM = Aircraft Mono-Point (3-into-1)</p>	<p>FIXTURE HOUSING</p> <p>W = White</p> <p>ACOUSTIC SOLUTIONS</p> <p>See page 2 for Acoustic color options, ordering codes and technical information.</p>	<p>ACOUSTIC OPTIONS</p> <p>See page 2 for acoustic options ordering codes and information.</p> <p>DIMMING DRIVERS</p> <p>DIMSR = 0-10V (5.0%) Sensor Ready DIMST = Step Dimming (40%/100%) DALI = DALI (5.0%)</p> <p>LUTRON™ DIMMING DRIVERS</p> <p>LDE1 = Hi-Lume™ 1% EcoSystem™ L3DA3W = Hi-Lume™ 1% 3-Wire LTEA2W = Hi-Lume 1% 2-Wire 120V</p> <p>SENSORS & CONTROLS</p> <p>ESN = Philips™ EasySense DAY = Daylight Harvesting OCC = Occupancy Sensor CAS = Casambi Bluetooth control VDO = Vive Sensor by Lutron</p> <p>EMERGENCY</p> <p>EMC = Emergency Circuit GTD = Generator Transfer Device EPC4 = 4W Emergency Battery Pack EPC7 = 7W Emergency Battery Pack EPC10 = 10W Emergency Battery Pack EPC12 = 12W Emergency Battery Pack</p> <p>Consult factory on Sensor, GTD and EPC options. Not all are integral to TRIL-14.</p>

¹Tunable white options detailed on page 3. BIOS SkyBlue available. Consult factory.

²Delivered Lumens are Standard Output (SO) and Low Output (LO) at 80+CRI 4000K CCT. Use the following multiplier to estimate delivered lumens at other CCTs: 2700K = 0.94, 3000K = 0.96, 3500K = 0.98, 5000K = 1.02. All values nominal. See page 3 for photometrics.

³See page 3 for actual fixture dimensions and suspension locations.

⁴Consult factory on Sensor, GTD and EPC options. Not all are integral to TRFL-14.



Day-O-Lite's acoustic options integrate energy efficient architectural lighting with advanced sound absorbing technology in a sustainable, eco-friendly solution. Functional, attractive and easy to install, Day-O-Lite's acoustic solutions are ideal for use in educational, office, commercial, theatre and lobby applications.



HOW TO SPECIFY

- 1) Select color code from color swatches above.
- 2) Select height of acoustic panel - 8", 12" or 16".
- 3) Combine color and height to make complete code. Example: SK-12 = Sky, 12" high, FO-8 = Fossil, 8" high.
- 4) Enter completed code in Options section of Ordering Guide on page 1 of this Specification Sheet.

SPECIFICATIONS

- 100% Recyclable Polyester Material
- 1.6 Noise Reduction Coefficient (NRC)
- Class A Fire Rating
- Moisture and Mold Resistant
- UV Fade Resistant
- Stain repellent available

DOWNLOADS

- Visit www.dayolite.com to download the following:
- Acoustic Test Report
- Letter of Apparent NRC
- Care and cleaning information
- Installation Guide

NON-ILLUMINATED BAFFLES

Non-Illuminated baffles matching the color and size of specified fixtures may also be ordered. These may be used as "fillers" between fixtures for added sound suppression, or alone as decorative elements. Specify as follows: TRIL-14-NIB (non-illuminated baffle)-XX (color)-YY (panel height). Example: TRIL-14-NIB-SL-16 = Trilogy 14 size, non-illuminated baffle, Slate color, 16" high panel. Day-O-Lite non-illuminated baffles are supplied with the same aircraft cable suspension as our acoustic luminaires and feature a closed bottom with a bevel detail to match fixtures.

ADDITIONAL INFORMATION

Smoke, Pewter and Slate are standard colors; consult factory for lead-times on other colors. Acoustic panels ship affixed to luminaires and are held in place by stop-blocks and double-sided tape to prevent bowing. Onsite removal may result in damage and void warranty. Fixtures must be stored and installed in an interior dry location at a minimum of 52F.

A NOTE ON SOUND ABSORPTION

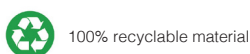
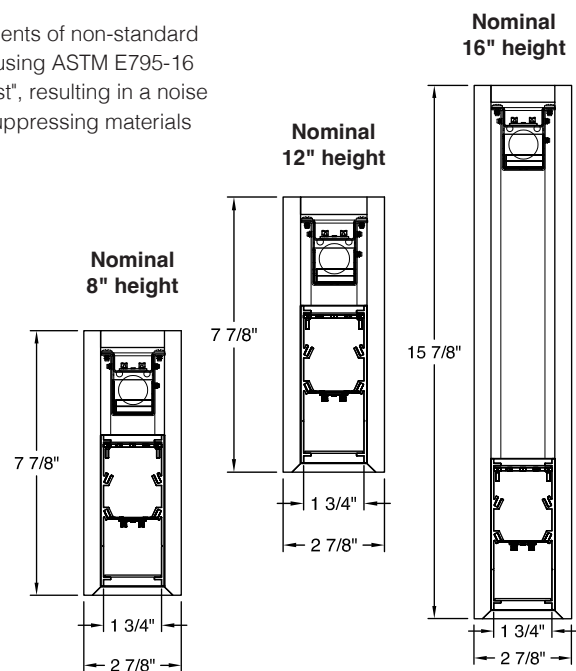
Per ASTM C423 there is no standard way to calculate sound absorption coefficients of non-standard shapes, sizes or spacing of material. Day-O-Lite's acoustic fixtures are tested using ASTM E795-16 Standard "Practices for Mounting Test Specimens During Sound Absorption Test", resulting in a noise reduction coefficient (NRC) unique to the test setup. When comparing sound suppressing materials those with a higher NRC will absorb more sound than those with a lower NRC, assuming the same test method is employed.

Additionally, more sound absorbing material in a space will result in greater sound suppression than less. Acoustic fixtures with 16" tall panels will be more effective at sound absorption than those with 8" or 12" high panels.

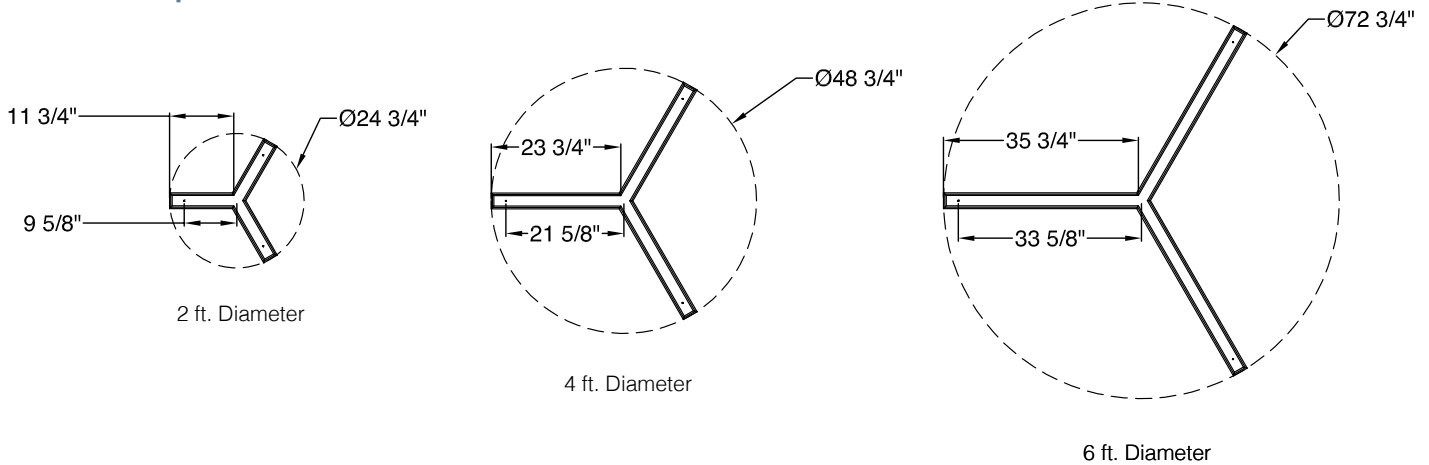
The full Acoustic Test Report, Certified Letter of Apparent NRC and Storage, Cleaning and Care information is available at www.dayolite.com.

CUSTOM ACOUSTICS

Acoustic Solutions may also be ordered in custom panel heights and with other custom modifications. Please contact Day-O-Lite directly to discuss your custom acoustic solutions today.



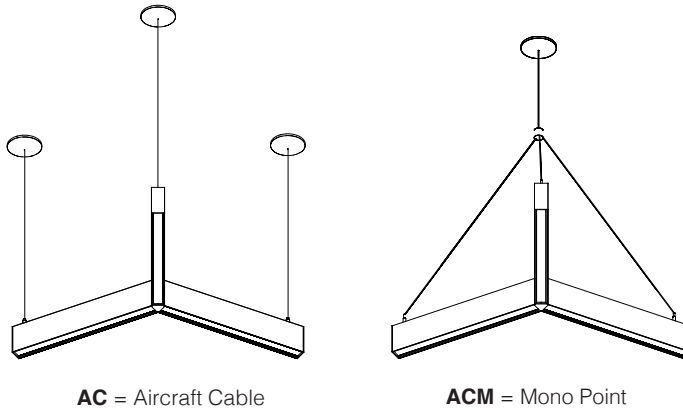
Sizes & Suspension Locations



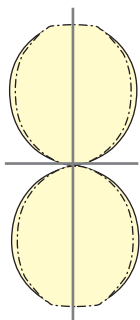
Standard Suspensions

Standard suspension options include adjustable self-locking aircraft cables (AC), a 3-into-1 monopoint (ACM).

AC assembly is 48" x 1/16" with a 5" feed canopy and 2" suspension canopies. 60" 18 gauge power and 22 gauge dimming control SJT feed.



Photometry



TRIL-14-DI-SI-40-2	TRIL-14-DI-SI-40-4	TRIL-14-DI-SI-40-6
LO 4000K CCT WATTS: 23 LUMENS: 2280 LPW: 99 Distribution: 53% Direct 47% Indirect	LO 4000K CCT WATTS: 55 LUMENS: 5798 LPW: 106 Distribution: 53% Direct 47% Indirect	LO 4000K CCT WATTS: 86 LUMENS: 9276 LPW: 108 Distribution: 53% Direct 47% Indirect
SO 4000K CCT WATTS: 31 LUMENS: 3099 LPW: 99 Distribution: 53% Direct 47% Indirect	SO 4000K CCT WATTS: 73 LUMENS: 7795 LPW: 106 Distribution: 53% Direct 47% Indirect	SO 4000K CCT WATTS: 115 LUMENS: 12,402 LPW: 108 Distribution: 53% Direct 47% Indirect
HO 4000K CCT WATTS: 39 LUMENS: 3761 LPW: 96 Distribution: 53% Direct 47% Indirect	HO 4000K CCT WATTS: 91 LUMENS: 9531 LPW: 105 Distribution: 53% Direct 47% Indirect	HO 4000K CCT WATTS: 144 LUMENS: 15,338 LPW: 107 Distribution: 53% Direct 47% Indirect

Specifications

ACOUSTIC PANELS 1/2" thick, 100% recyclable polyester material, Class A fire rating, moisture, mold and UV fade resistant.

CONSTRUCTION Extruded aluminum housing. 20 gauge cold rolled steel internal components.

REFLECTOR Die-formed steel finished in highly reflective baked white enamel with pre-finished reflective LED tray.

OPTICS LED optimized, shatter resistant Diffuse Polycarbonate (DP) regressed lens.

LED LED modules in 30/35/40 & 50K CCT, 80/90CRI. Lumen maintenance minimum $L_{70} = 50,000$ hours. 3 SDCM color consistency.

DRIVER Standard driver is Class 2 AOC 0-10V to 1%, 120/277V input, PF > 90%, THD < 20 @ 120V. Additional dimming protocols available. All drivers prewired from factory for connection to control system (by others). Field replaceable.

MOUNTING Standard options include adjustable self-locking aircraft cables (AC), and rigid pendant stems (PD). AC assembly is 48" x 1/16" with a 5" feed canopy and 2" suspension canopies. 18 gauge power and 22 gauge dimming control SJT feed.

FINISH Housing and components finished in baked white enamel. Canopies and pendant stems are white enamel unless otherwise specified.

CERTIFICATION Luminaires are cETLus listed conforming to UL STD. 1598 and certified to CSA STD C22.2 NO. 250.0. Suitable for dry & damp locations. Union Made in the United States of America. I.B.E.W. RoHS compliant.