



Trilogy Series | TRIL-44-DI Acoustic

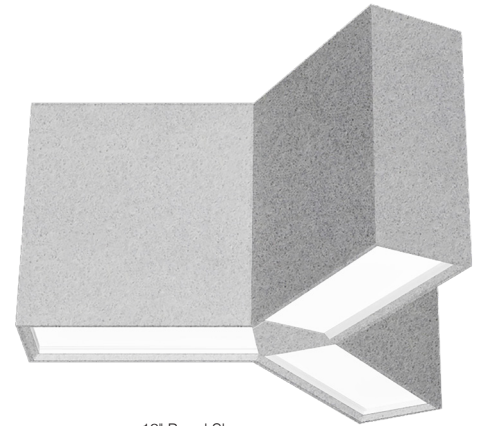
Date	Notes
Project	
Type	Qty



Direct
Indirect



20 unique colors to choose from. See page 2 to specify.



12" Panel Shown
Cross Sections
on page 2.

Features

Extruded aluminum housing w/welded end-plates.

Acoustic material in 20 color and 8", 12" and 16" tall panels.

LED optimized optics for smooth, non-pixelated illumination end-to-end.

High efficiency programmable driver for custom lumen packages. 0-10V dimming to 1% standard.

High efficacy LEDs in 80 or 90 CRI; two or three channel tunable white; five channel tunable color.

Ordering Guide

MODEL	OPTICS	CCT	LUMENS ²	LENGTH ³	MOUNTING ³	FINISH	OPTIONS ⁴
TRIL-44-DI	SI					W	
TRIL-44-DI Direct/Indirect Acoustic	SI = Satin Ice Acrylic (lay-in)	27 = 2700K 80CRI 30 = 3000K 80CRI 35 = 3500K 80CRI 40 = 4000K 80CRI 50 = 5000K 80CRI 90 CRI add "9" Ex: 940 = 4000K @ 90 CRI	2' LUMENS LO = 2641 (23W, 115LPW) SO = 3586 31W, 115LPW) HO = 4343 (39W, 112LPW) 4' LUMENS LO = 6682 (55W, 121LPW) SO = 8985 (73W, 121LPW) HO = 11,005 (91W, 120LPW) 6' LUMENS LO = 10,7005 (86W, 116LPW) SO = 14,334 (114W, 125LPW) HO = 17,692 (144W, 122LPW) All outputs are for 12" high acoustic solution. Distribu- tions for all are: 53% Direct 47% Indirect	2 = 2' Dia. 4 = 4' Dia. 6 = 6' Dia. See size detail page 4.	AC = Aircraft Cable (3) ACM = Aircraft Mono-Point (3-into-1)	FIXTURE HOUSING W = White ACOUSTIC SOLUTIONS See page 2 for Acoustic color options, ordering codes and technical information.	ACOUSTIC OPTIONS See page 2 for acoustic options ordering codes and information. DIMMING DRIVERS DIM10 = 0-10V (1.0%) DIMSR = 0-10V (5.0%) Sensor Ready DIMST = Step Dimming (40%/100%) DALI = DALI (5.0%) LUTRON™ DIMMING DRIVERS LDE1 = Hi-Lume™ 1% EcoSystem™ LDE5 = 5-Series 5% EcoSystem™ L3DA3W = Hi-Lume™ 1% 3-Wire LTEA2W = Hi-Lume 1% 2-Wire 120V SENSORS & CONTROLS ESN = Philips™ EasySense DAY = Daylight Harvesting OCC = Occupancy Sensor CAS = Casambi Bluetooth control VDO = Vive Sensor by Lutron EMERGENCY EMC = Emergency Circuit GTD = Generator Transfer Device EPC4 = 4W Emergency Battery Pack EPC7 = 7W Emergency Battery Pack EPC10 = 10W Emergency Battery Pack EPC12 = 12W Emergency Battery Pack

¹Tunable white, tunable color options detailed on page 3.

²Delivered Lumens are Standard Output (SO) and Low Output (LO) at 80+CRI 4000K CCT. Use the following multiplier to estimate delivered lumens at other CCTs: 2700K = 0.94, 3000K = 0.96, 3500K = 0.98, 5000K = 1.02. All values nominal. See page 4 for photometrics.

³See page 4 for actual fixture dimensions and suspension locations.



Day-O-Lite's acoustic options integrate energy efficient architectural lighting with advanced sound absorbing technology in a sustainable, eco-friendly solution. Functional, attractive and easy to install, Day-O-Lite's acoustic solutions are ideal for use in educational, office, commercial, theatre and lobby applications.



HOW TO SPECIFY

- 1) Select color code from color swatches above.
- 2) Select height of acoustic panel - 8", 12" or 16".
- 3) Combine color and height to make complete code. Example: SK-12 = Sky, 12" high, FO-8 = Fossil, 8" high.
- 4) Enter completed code in Options section of Ordering Guide on page 1 of this Specification Sheet.

SPECIFICATIONS

- 100% Recyclable Polyester Material
- 1.6 Noise Reduction Coefficient (NRC)
- Class A Fire Rating
- Moisture and Mold Resistant
- UV Fade Resistant
- Stain repellent available

DOWNLOADS

- Visit www.dayolite.com to download the following:
- Acoustic Test Report
- Letter of Apparent NRC
- Care and cleaning information
- Installation Guide

NON-ILLUMINATED BAFFLES

Non-Illuminated baffles matching the color and size of specified fixtures may also be ordered. These may be used as "fillers" between fixtures for added sound suppression, or alone as decorative elements. Specify as follows: PRFL-44-NIB (non-illuminated baffle)-XX (color)-YY (panel height). Example: PRFL-44-NIB-SL-16 = Trilogy 44 size, non-illuminated baffle, Slate color, 16" high panel. Day-O-Lite non-illuminated baffles are supplied with the same aircraft cable suspension as our acoustic luminaires and feature a closed bottom with a bevel detail to match fixtures.

ADDITIONAL INFORMATION

Smoke, Pewter and Slate are standard colors; consult factory for lead-times on other colors. Acoustic panels ship affixed to luminaires and are held in place by stop-blocks and double-sided tape to prevent bowing. Onsite removal may result in damage and void warranty. Fixtures must be stored and installed in an interior dry location at a minimum of 52F.

A NOTE ON SOUND ABSORPTION

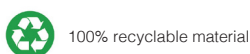
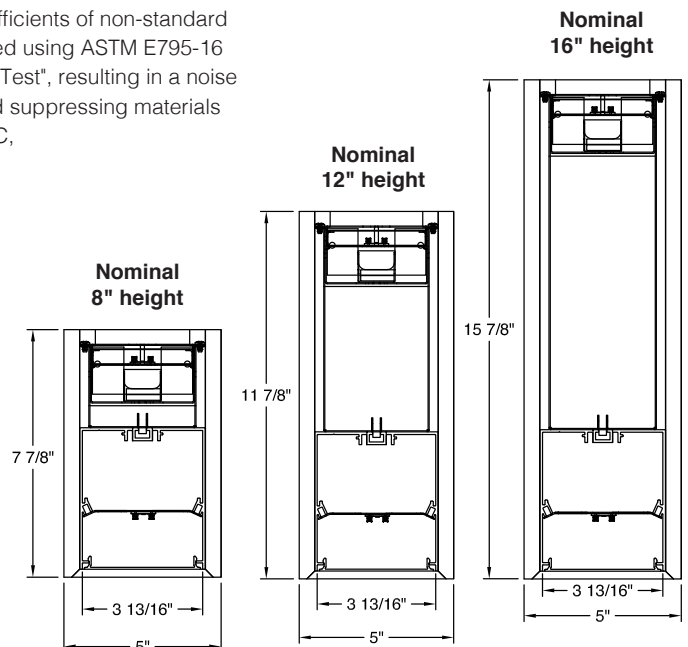
Per ASTM C423 there is no standard way to calculate sound absorption coefficients of non-standard shapes, sizes or spacing of material. Day-O-Lite's acoustic fixtures are tested using ASTM E795-16 Standard "Practices for Mounting Test Specimens During Sound Absorption Test", resulting in a noise reduction coefficient (NRC) unique to the test setup. When comparing sound suppressing materials those with a higher NRC will absorb more sound than those with a lower NRC, assuming the same test method is employed.

Additionally, more sound absorbing material in a space will result in greater sound suppression than less. Acoustic fixtures with 16" tall panels will be more effective at sound absorption than those with 8" or 12" high panels.

The full Acoustic Test Report, Certified Letter of Apparent NRC and Storage, Cleaning and Care information is available at www.dayolite.com.

CUSTOM ACOUSTICS

Acoustic Solutions may also be ordered in custom panel heights and with other custom modifications. Please contact Day-O-Lite directly to discuss your custom acoustic solutions today.



Day-O-Lite offers a variety of tunable white and tunable color options for a range of human centric applications and budgets. It is recommended that a recognized authority on the benefits and best practices of tunable white be consulted prior to specification. As a rule, fewer channels will provide a basic level of performance for budget conscious applications. Conversely, an increased number of channels, a wider CCT range, higher CRI and more precise color consistency may be more appropriate depending on the application and desired results.

HOW TO SPECIFY

Select from the various channel/control options below and insert desired **Ordering Code** into the **COLOR TEMP** column of the Ordering Guide on page 1. No need to add a dimming option as the codes include the chosen protocol.

2-CHANNEL TUNABLE WHITE OPTIONS

- 2700K - 6500K CCT range
- 1000L/ft LED modules @ 4000K
- 80+ CRI w/3SDCM color accuracy
- 10W/ft. nominal power

Ordering Codes

- 2DIM10** for 0-10V control
- 2DALI** for DALI control
- 2DMX** for DMX control
- 2PSQ** for Lutron Quantum control
- 2SNS** for control via Signify SNS sensors
- 2CAS** for control via Casambi BLE wireless devices

LEGRAND BLANCO MULTI-CHANNEL OPTIONS

Blanco-2

Blanco-2 mixes two channels of white LEDs to approximate the blackbody curve for tunable white applications. CCT and intensity may be adjusted with controls by others.

- 3000K-5000K CCT range
- 1000L/ft LED modules @ 4000K
- 90+ CRI w/2SDCM color accuracy
- 10W/ft. nominal power

Ordering Codes

- B2DLM** for DLM control

Blanco-3

Blanco-3 mixes three channels of white LEDs across a wider range of color temperatures for more demanding tunable white applications. CCT and intensity may be adjusted with controls by others.

- 2700K-6500K CCT range
- 1000L/ft. LED modules @ 4000K
- 90+ CRI w/SDCM color accuracy
- 10W/ft. nominal power

Ordering Codes

- B3DLM** for DLM control

RGB & RGBW TUNABLE COLOR

- RGB = Red, Green, Blue color mixing LEDs
- RGBW = Red, Green, Blue + White of chosen CCT
- Dimming from 100% to 1%.
- 90+ CRI w/3SDCM color accuracy
- 10W/ft. nominal power

Notes:

- RGB requires an RGB DMX or DALI controller (by others)
- RGBW requires an RGBW DMX or DALI controller (by others)
- All channels on one driver is standard, if isolating the White from the RGB channels is desired please consult factory.
- RGB and RGBW are not recommended for tunable white applications.

Ordering Codes

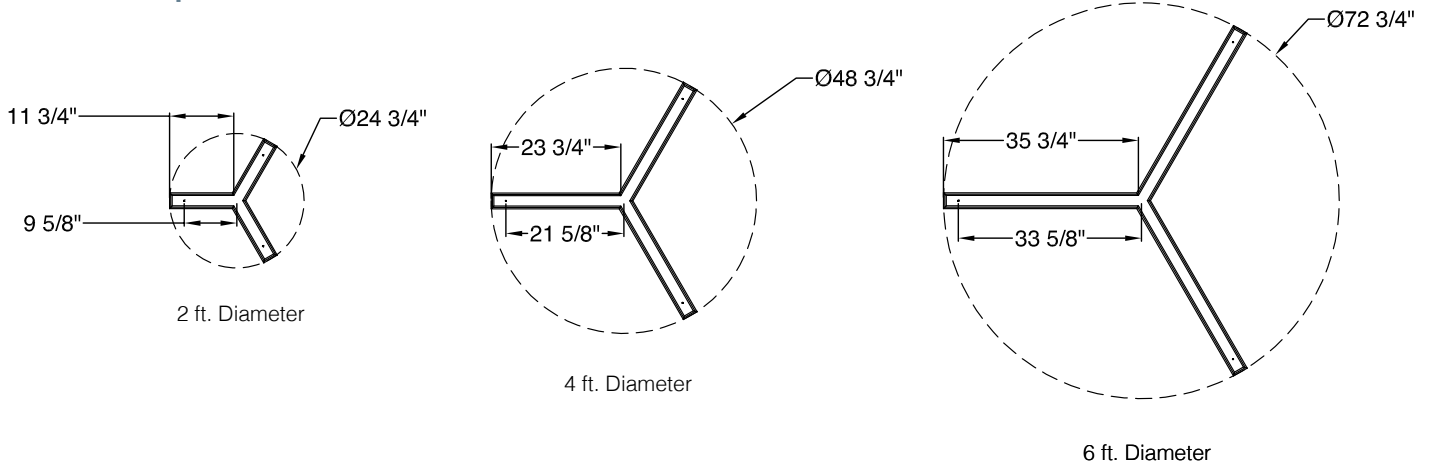
- RGB** for DMX control
- RGB27** for DMX control w/2700K white
- RGB30** for DMX control w/3000K white
- RGB35** for DMX control w/3500K white
- RGB40** for DMX control w/4000K white
- RGB50** for DMX control w/5000K white
- RGB65** for DMX control w/6500K white
- Add Suffix **DAL** for DALI Control to codes above.

5-CHANNEL TUNABLE WHITE AND COLOR

- RGBWW = Red, Green, Blue, Warm White, Cool White.
- Consult factory for RGBWW tunable white/color options.

Day-O-Lite makes no claims as to the psychological or physiological efficacy of the white color tuning options offered herein.

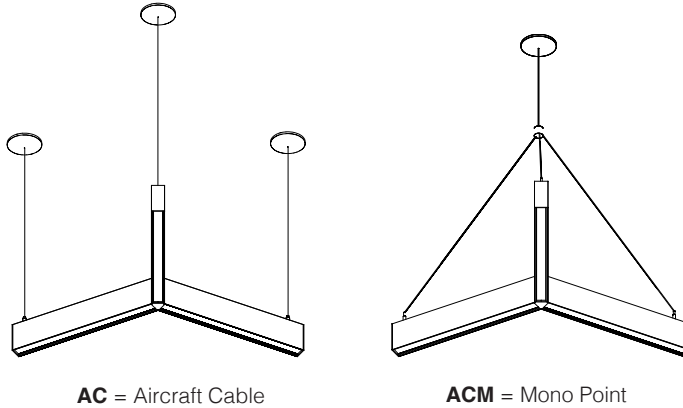
Sizes & Suspension Locations



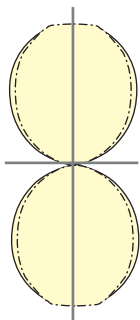
Standard Suspensions

Standard suspension options include adjustable self-locking aircraft cables (AC), a 3-into-1 monopoint (ACM).

AC assembly is 48" x 1/16" with a 5" feed canopy and 2" suspension canopies. 60" 18 gauge power and 22 gauge dimming control SJT feed.



Photometry



TRIL-44-DI-SI-40-2	TRIL-44-DI-SI-40-4	TRIL-44-DI-SI-40-6
<p>LO 4000K CCT WATTS: 23 LUMENS: 2641 LPW: 115 Distribution: 53% Direct 47% Indirect</p> <p>SO 4000K CCT WATTS: 31 LUMENS: 3586 LPW: 115 Distribution: 53% Direct 47% Indirect</p> <p>HO 4000K CCT WATTS: 39 LUMENS: 4343 LPW: 112 Distribution: 53% Direct 47% Indirect</p>	<p>LO 4000K CCT WATTS: 55 LUMENS: 6682 LPW: 121 Distribution: 53% Direct 47% Indirect</p> <p>SO 4000K CCT WATTS: 73 LUMENS: 8985 LPW: 121 Distribution: 53% Direct 47% Indirect</p> <p>HO 4000K CCT WATTS: 91 LUMENS: 11,005 LPW: 120 Distribution: 53% Direct 47% Indirect</p>	<p>LO 4000K CCT WATTS: 86 LUMENS: 10,7005 LPW: 116 Distribution: 53% Direct 47% Indirect</p> <p>SO 4000K CCT WATTS: 114 LUMENS: 14,334 LPW: 125 Distribution: 53% Direct 47% Indirect</p> <p>HO 4000K CCT WATTS: 144 LUMENS: 17,692 LPW: 122 Distribution: 53% Direct 47% Indirect</p>

Specifications

ACOUSTIC PANELS 1/2" thick, 100% recyclable polyester material, Class A fire rating, moisture, mold and UV fade resistant.

CONSTRUCTION Extruded aluminum housing. 20 gauge cold rolled steel internal components.

REFLECTOR Die-formed steel finished in highly reflective baked white enamel with pre-finished reflective LED tray.

OPTICS LED optimized Satin Ice (SI) acrylic regressed lens.

LED LED modules in 30/35/40 & 50K CCT, 80/90CRI. Lumen maintenance minimum $L_{70} = 50,000$ hours. 3 SDCM color consistency.

DRIVER Pre-wired Class 2 AOC electronic driver, 120/277V input, PF > 90%, THD < 20 @ 120V. 0-10V dimming to 1%. Field replaceable.

MOUNTING Standard options include adjustable self-locking aircraft cables (AC), and a 3-into-1 aircraft cable monopoint (ACM). AC assembly is 48" x 1/16" with a 5" feed canopy and 2" suspension canopies. 18 gauge power and 22 gauge dimming control SJT feed.

FINISH Housing and components finished in baked white enamel. Canopies and pendant stems are white enamel unless otherwise specified.

CERTIFICATION Luminaires are cETLus listed conforming to UL STD. 1598 and certified to CSA STD C22.2 NO. 250.0. Suitable for dry & damp locations. Union Made in the United States of America. I.B.E.W. RoHS compliant.