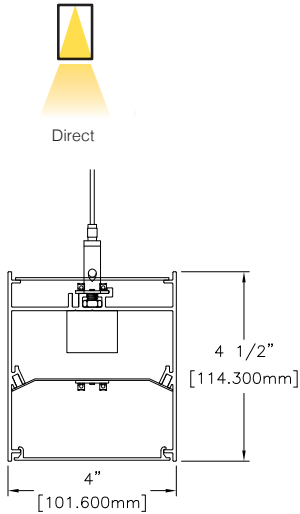


Date		Notes
Project		
Type	Qty	



Features

Extruded aluminum housing w/welded end-plates.

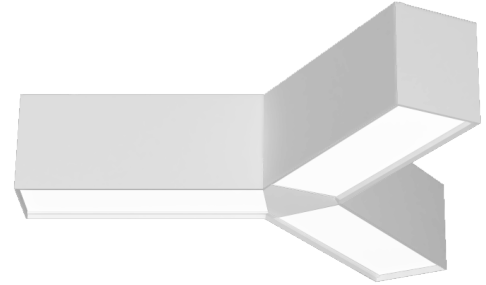
LED optimized optics for smooth illumination.

Parallel stainless aircraft cable suspension or 3-into-1 monopoint suspension.

High efficiency programmable driver for custom lumen packages. 0-10V dimming to 1% standard.

High efficacy LEDs in 80 or 90 CRI; two or three channel tunable white; five channel tunable color.

See www.dayolite.com for Trilogy Acoustic Solutions.



Ordering Guide

MODEL	OPTICS	CCT	LUMENS ²	SIZE ³	MOUNTING ³	FINISH	OPTIONS
TRIL-44-D	SI						
TRIL-44-D Direct	FL = Flush Opal Acrylic (snap-in) DL = Drop Opal Acrylic (snap-in) SI = Satin Ice Acrylic (lay-in)	27 = 2700K 80CRI 30 = 3000K 80CRI 35 = 3500K 80CRI 40 = 4000K 80CRI 50 = 5000K 80CRI 90 CRI add *9' Ex: 940 = 4000K @ 90 CRI	2' LUMENS LO = 1512 (16W, 95LPW) SO = 2035 (21W, 95LPW) HO = 2426 (26W, 93LPW) 4' LUMENS LO = 3274 (32W, 103LPW) SO = 4358 (42W, 103LPW) HO = 5420 (53W, 102LPW) 6' LUMENS LO = 4955 (47W, 105LPW) SO = 6625 (63W, 105LPW) HO = 8130 (79W, 102LPW)	2 = 2' Dia. 4 = 4' Dia. 6 = 6' Dia. See size detail page 3.	STANDARD AC = Aircraft Cable (3) ACM = Aircraft Mono-Point (3-into-1) Consult factory for the following recessed mounting options for plaster ceilings. F = Flanged TRL = Trimless	W = White CC = Custom Color AMW = Anti-Microbial White	ACOUSTIC OPTIONS See page 2 for acoustic options ordering codes and information. DIMMING DRIVERS DIM10 = 0-10V (1.0%) - Standard DIMSR = 0-10V (5.0%) Sensor Ready DIMST = Step Dimming (40%/100%) DALI = DALI (5.0%) LUTRON™ DIMMING DRIVERS LDE1 = Hi-Lume™ 1% EcoSystem™ L3DA3W = Hi-Lume™ 1% 3-Wire LTEA2W = Hi-Lume 1% 2-Wire 120V SENSORS & CONTROLS ESN = Philips™ EasySense DAY = Daylight Harvesting OCC = Occupancy Sensor CAS = Casambi Bluetooth control VDO = Vive Sensor by Lutron EMERGENCY EMC = Emergency Circuit GTD = Generator Transfer Device EPC4 = 4W Emergency Battery Pack EPC7 = 7W Emergency Battery Pack EPC10 = 10W Emergency Battery Pack EPC12 = 12W Emergency Battery Pack

¹Tunable white, tunable color options detailed on page 2.

²Delivered Lumens are Standard Output (SO) and Low Output (LO) at 80+CRI 4000K CCT. Use the following multiplier to estimate delivered lumens at other CCTs: 2700K = 0.94, 3000K = 0.96, 3500K = 0.98, 5000K = 1.02. All values nominal. See page 4 for photometrics.

³See page 4 for actual fixture dimensions and suspension locations.



Day-O-Lite offers a variety of tunable white and tunable color options for a range of human centric applications and budgets. It is recommended that a recognized authority on the benefits and best practices of tunable white be consulted prior to specification. As a rule, fewer channels will provide a basic level of performance for budget conscious applications. Conversely, an increased number of channels, a wider CCT range, higher CRI and more precise color consistency may be more appropriate depending on the application and desired results.

HOW TO SPECIFY

Select from the various channel/control options below and insert desired **Ordering Code** into the **COLOR TEMP** column of the Ordering Guide on page 1. No need to add a dimming option as the codes include the chosen protocol.

2-CHANNEL TUNABLE WHITE OPTIONS

2700K - 6500K CCT range
 1000L/ft LED modules @ 4000K
 80+ CRI w/3SDCM color accuracy
 10W/ft. nominal power

Ordering Codes

2DIM10 for 0-10V control
2DALI for DALI control
2DMX for DMX control
2PSQ for Lutron Quantum control
2SNS for control via Signify SNS sensors
2CAS for control via Casambi BLE wireless devices

LEGRAND BLANCO MULTI-CHANNEL OPTIONS

Blanco-2

Blanco-2 mixes two channels of white LEDs to approximate the blackbody curve for tunable white applications. CCT and intensity may be adjusted with controls by others.

3000K-5000K CCT range
 1000L/ft LED modules @ 4000K
 90+ CRI w/2SDCM color accuracy
 10W/ft. nominal power

Ordering Codes

B2DLM for DLM control

Blanco-3

Blanco-3 mixes three channels of white LEDs across a wider range of color temperatures for more demanding tunable white applications. CCT and intensity may be adjusted with controls by others.

2700K-6500K CCT range
 1000L/ft. LED modules @ 4000K
 90+ CRI w/2SDCM color accuracy
 10W/ft. nominal power

Ordering Codes

B3DLM for DLM control

RGB & RGBW TUNABLE COLOR

RGB = Red, Green, Blue color mixing LEDs
 RGB/W = Red, Green, Blue + White of chosen CCT
 Dimming form 100% to 1%.
 90+ CRI w/3SDCM color accuracy
 10W/ft. nominal power

Notes:

RGB requires an RGB DMX or DALI controller (by others)

RGBW requires an RGBW DMX or DALI controller (by others)

All channels on one driver is standard, if isolating the White from the RGB channels is desired please consult factory.

RGB and RGBW are not recommended for tunable white applications.

Ordering Codes

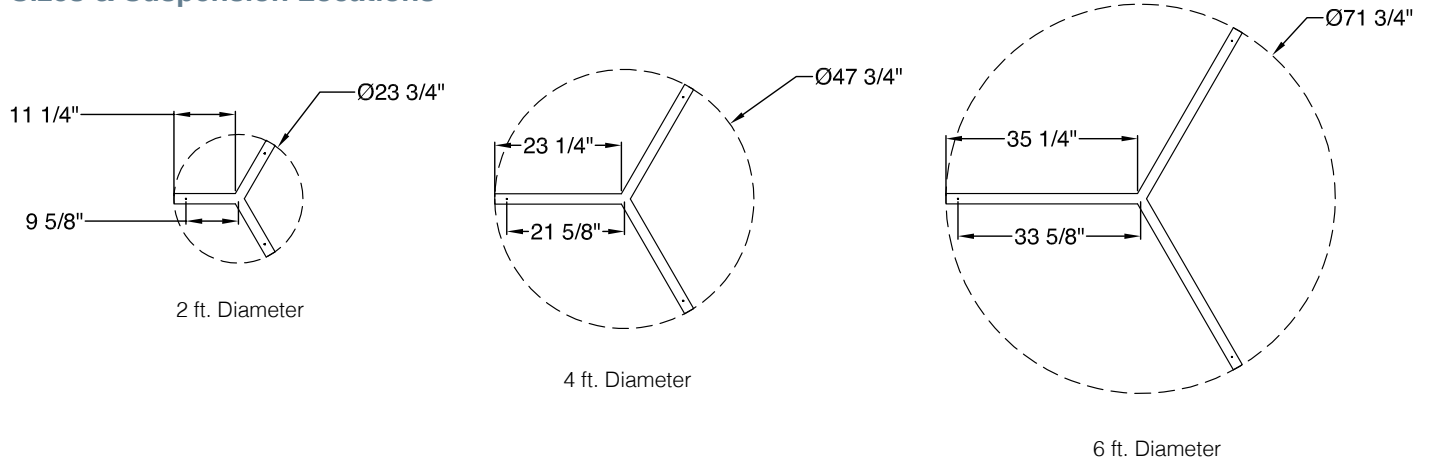
RGB for DMX control
RGB27 for DMX control w/2700K white
RGB30 for DMX control w/3000K white
RGB35 for DMX control w/3500K white
RGB40 for DMX control w/4000K white
RGB50 for DMX control w/5000K white
RGB65 for DMX control w/6500K white
 Add Suffix **DAL** for DALI Control to codes above.

5-CHANNEL TUNABLE WHITE AND COLOR

RGBWW = Red, Green, Blue, Warm White, Cool White.
 Consult factory for RGBWW tunable white/color options.

Day-O-Lite makes no claims as to the psychological or physiological efficacy of the white color tuning options offered herein.

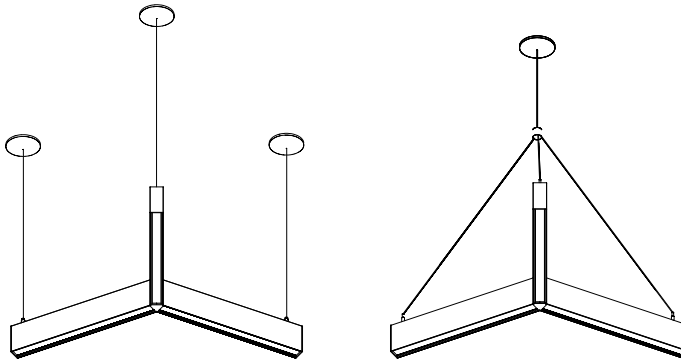
Sizes & Suspension Locations



Standard Suspensions

Standard suspension options include adjustable self-locking aircraft cables (AC), and a 3-into-1 monopoint (ACM).

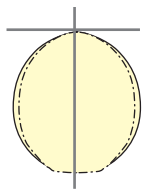
AC assembly is 48" x 1/16" with a 5" feed canopy and 2" suspension canopies. 60" 18 gauge power and 22 gauge dimming control SJT feed.



AC = Aircraft Cable

ACM = Mono Point

Photometry



TRIL-44-D-SI-40-2

LO
4000K CCT
WATTS: 16
LUMENS: 1512
LPW: 95
Distribution:
53% Direct
47% Indirect

SO
4000K CCT
WATTS: 21
LUMENS: 2035
LPW: 95
Distribution:
53% Direct
47% Indirect

HO
4000K CCT
WATTS: 26
LUMENS: 2426
LPW: 93
Distribution:
53% Direct
47% Indirect

TRIL-44-D-SI-40-4

LO
4000K CCT
WATTS: 32
LUMENS: 3274
LPW: 103
Distribution:
53% Direct
47% Indirect

SO
4000K CCT
WATTS: 42
LUMENS: 4358
LPW: 103
Distribution:
53% Direct
47% Indirect

HO
4000K CCT
WATTS: 53
LUMENS: 5420
LPW: 102
Distribution:
53% Direct
47% Indirect

TRIL-44-D-SI-40-6

LO
4000K CCT
WATTS: 47
LUMENS: 4955
LPW: 103
Distribution:
53% Direct
47% Indirect

SO
4000K CCT
WATTS: 63
LUMENS: 6625
LPW: 105
Distribution:
53% Direct
47% Indirect

HO
4000K CCT
WATTS: 79
LUMENS: 8130
LPW: 102
Distribution:
53% Direct
47% Indirect

Specifications

CONSTRUCTION Extruded aluminum housing. 20 gauge cold rolled steel internal components.

REFLECTOR Die-formed steel finished in highly reflective baked white enamel with pre-finished reflective LED tray.

OPTICS LED optimized Satin Ice (SI) acrylic regressed lens.

LED LED modules in 30/35/40 & 50K CCT, 80/90CRI. Lumen maintenance minimum L_{70} = 50,000 hours. 3 SDCM color consistency.

DRIVER Standard driver is Class 2 AOC 0-10V to 1%, 120/277V input, PF > 90%, THD < 20 @ 120V. Additional dimming protocols available. All drivers prewired from factory for connection to control system (by others). Field replaceable.

MOUNTING Standard options include adjustable self-locking aircraft cables (AC) and a 3-into-1 aircraft cable monopoint (ACM). AC assembly is 48" x 1/16" with a 5" feed canopy and 2" suspension canopies. 18 gauge power and 22 gauge dimming control SJT feed. May also be surface ceiling mounted (S) or recessed in plaster ceilings (F = Flange, TRL = Trimless). Consult factory for recessed options.

FINISH Housing and components finished in baked white enamel. Canopies and pendant stems are white enamel unless otherwise specified.

CERTIFICATION Luminaires are cETLus listed conforming to UL STD. 1598 and certified to CSA STD C22.2 NO. 250.0. Suitable for dry & damp locations. Union Made in the United States of America. I.B.E.W. RoHS compliant.