

FIXTURE TYPE \_\_\_\_\_

PROJECT NAME \_\_\_\_\_

LOCATION \_\_\_\_\_



# AC Zolo™ 7 RGBW Alternating

LINE VOLTAGE WASHER/GRAZER

Store in a Temperature-Controlled Environment.



## I Description

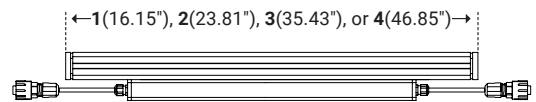
The AC Zolo 7 is the first line voltage option in our flagship grazing series. Available with a variety of optics, accessories, and color temperature options without the need for remote drivers.

## I Dimensions

Length	Variable (see below)
Width	1.97" (50mm)
Height	2.70" (69.3mm)

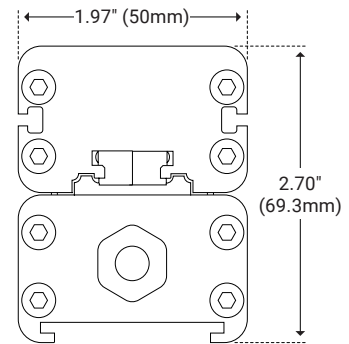
## I Features

- High Purity Tempered Glass
- Extruded Aluminum Alloy Housing
- Available in Titanium Gray, Black, or White Finish\*
- Daisy Chain Multiple Fixtures
- IP66 Outdoor Rated
- Louver Options Available



## I Specifications

Input Voltage	120-277VAC
Color Options	RGB + 2700K/3000K/3500K/4000K
Watts per Foot	15W/ft
Lumen per Watt	37 lm/W
Lumen per Foot	555 lm/ft
Beam Spread	10°x55°, 13°, 20°, 25°, 35°, 50°
Max Run Length	50ft at 120V AC 80ft at 277V AC
CRI	80*
Dimming Options	DMX
Operating Temp. Range	-40°F (-40°C) to 140°F (60°C)



\* Customizable—Consult Factory



## I Ordering Code Builder

Item	Length	Power	Fixture Type	Dimming
<b>Z7AC</b>		<b>15</b>	<b>A</b>	<b>X</b>
Z7AC—AC Zolo 7	1—16.15" (410mm) 2—23.81" (605mm) 3—35.43" (900mm) 4—46.85" (1190mm)	15—15W/ft	A—Alternating	X—DMX
Color*	Beam Angle	Mounting	Finish*	Option
27—2700K 30—3000K 35—3500K 40—4000K	1055—10°x55° 13—13° 20—20° 25—25° 35—35° 50—50°	S2—2" Stand Off S3—3" Stand Off GS—Ground Stake L3—L Bracket	TG—Titanium Gray BK—Black WH—White	NA—None LV—Louver ALV—Asymmetric Louver

Example: Z7AC-1-15-A-X-27-1055-S2-TG-LV

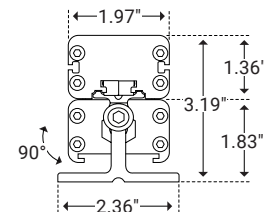
\* Customizable—Consult Factory

## I Mounting

### 2" Stand Off



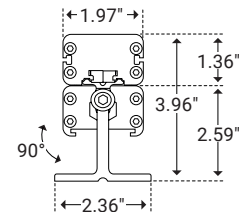
Unit Number	Z-07-S2
Ordering Code	S2
Foot Length	1.18" (30mm)
Foot Width	2.36" (60mm)
Stand Off Height	1.83" (46.4mm)



### 3" Stand Off



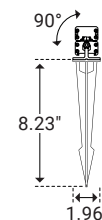
Unit Number	Z-07-S3
Ordering Code	S3
Foot Length	1.18" (30mm)
Foot Width	2.36" (60mm)
Stand Off Height	2.59" (66mm)



### Ground Stake



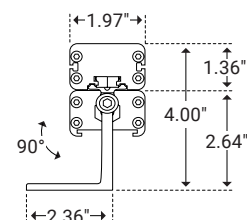
Unit Number	Z-07-GS
Ordering Code	GS
Stake Length	8.23" (209mm)
Stake Width	1.96" (50mm)



### L Bracket



Unit Number	Z-07-L3
Ordering Code	L3
Foot Length	1.18" (30mm)
Foot Width	2.36" (59.9mm)
Stand Off Height	2.64" (66.9mm)



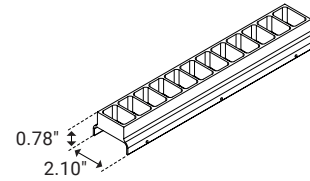


## | Glare Options

### Louver



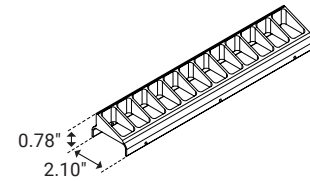
Unit Number	Z-07-LV
Ordering Code	LV
Louver Width	2.10" (53.3mm)
Louver Height	0.78" (20mm)
Overall Height	1.29" (33mm)



### Asymmetric Louver



Unit Number	Z-07-ALV
Ordering Code	ALV
Louver Width	2.10" (53.3mm)
Louver Height	0.78" (20mm)
Overall Height	1.29" (33mm)

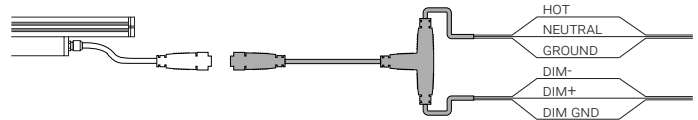


## | Power & Connectors

### Power Lead



Unit Number	Length
Z-7AC-FML-6	6ft
Z-7AC-FML-20	20ft
Z-7AC-FML-50	50ft



### Connector



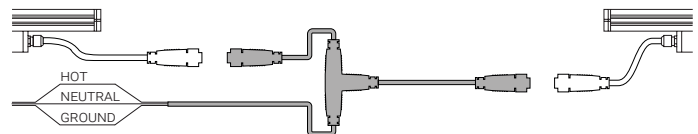
Unit Number	Length
Z-7AC-FMC-1	1ft
Z-7AC-FMC-2	2ft
Z-7AC-FMC-6	6ft



### T-Connector



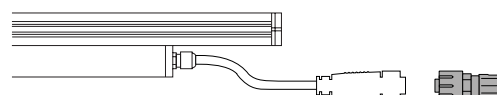
Unit Number	Z-7AC-TCONNECTOR
-------------	------------------



### End Cap



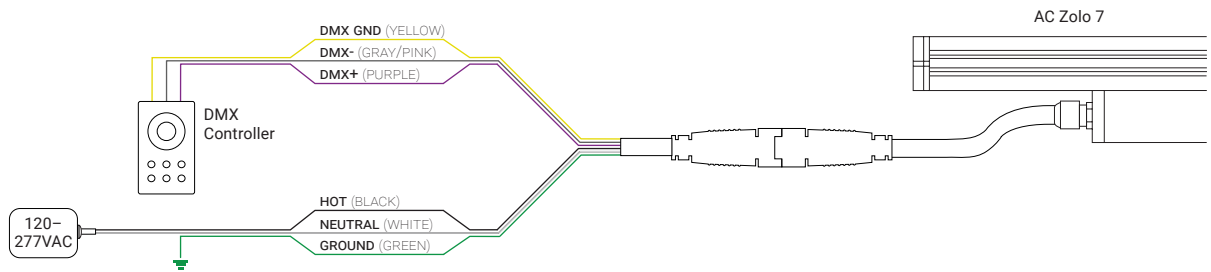
Unit Number	Z-7AC-END-DMX
-------------	---------------





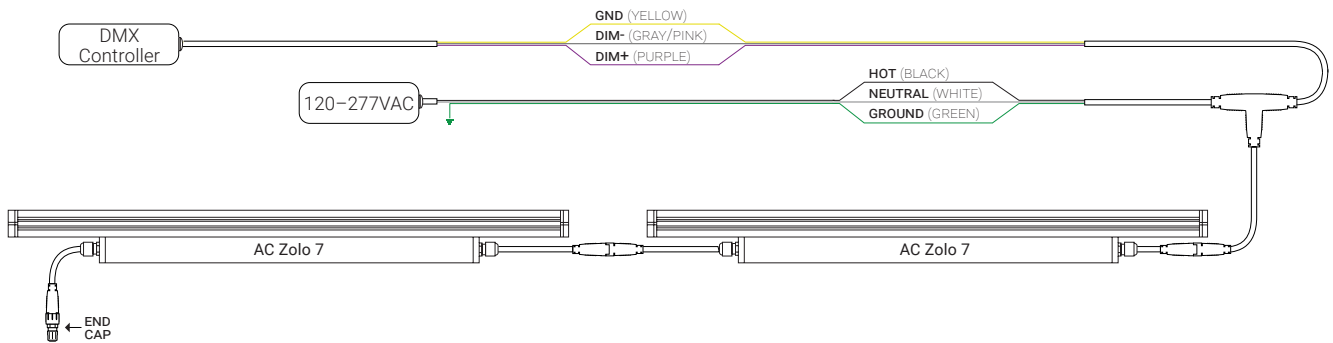
## | Wiring Options

### DMX



## | Daisy Chain

### Multiple Fixtures



### Multiple Power Sources

