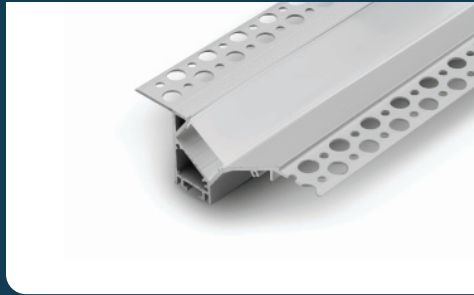


FIXTURE TYPE _____

PROJECT NAME _____

LOCATION _____



CH-0007

TRIMLESS & MUD-IN CHANNEL

Create perfectly flush, seamless lines of light without modifying the structure behind the sheet rock.

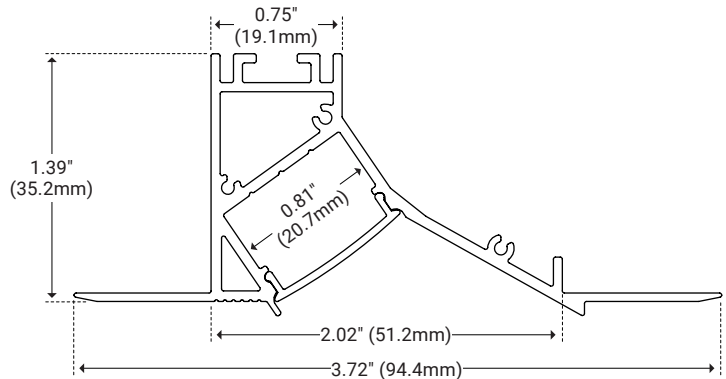


I Features

- Available In 78.74" (2m) Sections
- Extruded Aluminum Construction
- Anodized Matte Finish
- Straight and Angled Connectors Available to Create Long, Continuous Runs
- Drywall Mud-in Mounting for a Seamless Recessed Look
- Consult Factory for Custom Lengths and Finishes
- Available In Various Finish Colors

I Dimensions

Length	78.74" (2m)
Width (External)	3.72" (94.4mm)
Width (Internal)	0.81" (20.7mm)
Height	1.39" (35.2mm)



I Ordering Code Builder

Series	Length	Lens	End Caps
CH0007	2		EC
CH0007 – CH-0007	2 – 2 Meters	WH – White WHC – White Continuous BK – Black	EC – End Cap Pair

Example: CH0007-2-WH-EC



I Lens



White Lens

Unit Number	CH-LNS-AC-WH-2M	Ordering Code WH
Dimension	L 78.74" (2m) W 0.92" (23.5mm)	H 0.19" (4.8mm)
Light transmission	70%	



White Lens Continuous

Unit Number	CH-LNS-AC-WH-CO	Ordering Code WHC
Dimension	L Varies W 0.92" (23.5mm)	H 0.19" (4.8mm)
Light Transmission	70%	



Black Lens

Unit Number	CH-LNS-AC-BK-2M	Ordering Code BK
Dimension	L 78.74" (2m) W 0.92" (23.5mm)	H 0.19" (4.8mm)
Light transmission	30%	



Disposable Cover

Unit Number	CH-LNS-AC-DISP-2M	INCLUDED
Dimension	L 78.74" (2m) W 0.92" (23.5mm)	H 0.19" (4.8mm)
Description	Used to protect interior LED area during installation.	

I End Cap



End Cap Pair

Unit Number	CH-EC-0007	Ordering Code EC
Dimension	L 0.08" (2mm) W 2.16" (54.9mm)	H 1.47" (37.4mm)

I Optional Accessories

Product	Unit Number	Description
Straight Connector	CH-CON-01-180	Secure two pieces of channel together to form a continuous run of light.
90° Connector Horizontal	CH-CON-01-90H	Secure two pieces of channel together to form a 90° horizontal corner.
90° Connector Vertical	CH-CON-01-90V	Secure two pieces of channel together to form a 90° vertical corner.
120° Connector Horizontal	CH-CON-01-120H	Secure two pieces of channel together to form a 120° horizontal corner.
135° Connector Horizontal	CH-CON-01-135H	Secure two pieces of channel together to form a 135° horizontal corner.
135° Connector Vertical	CH-CON-01-135V	Secure two pieces of channel together to form a 135° vertical corner.