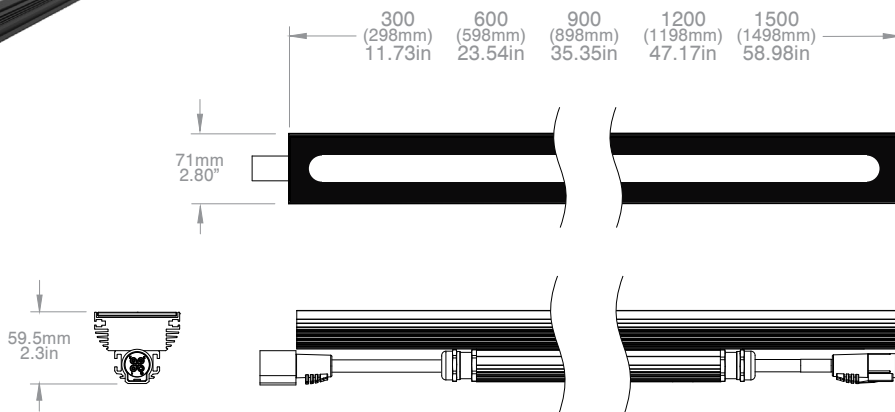




Monochromatic Linear Wall Washing and Grazing LED Lighting

PRODUCT SPECIFICATION SHEET

DATE:	
TYPE:	
COMPANY:	
PROJECT:	



FEATURES:

Lighting Performance:

- Up to 3755 delivered lumens/meter (1144 lumens/foot)
- Superior quality of white light: excellent LED to LED color consistency
- Diffusing optical film creates uniform light output immediately adjacent to luminaire
- LED pitch is maintained within and between luminaires (no dark spots between fixtures)
- Color match with FL series

Mechanical Details:

- Compact size, only 59.50mm (2.34in) high x 71.00mm (2.80in) wide
- IP66 rated with proprietary sealing process and solid extruded, anodized aluminum UNIBODY™ design
- Electronic micro leak detection test performed for each hermetically sealed fixture
- Meets 3G ANSI C136.31-2010 Vibration Standard for Bridge and Overpass Applications
- Optically clear tempered glass lens (no yellowing over time)
- Guaranteed long life time and high performance, no electrolytic capacitors in all DC designs
- Through wiring for end-to-end connection via snap-in and lock connectors
- IK06 rated fixture body construction, IK10 accessories available upon request

Control:

- DMX, DALI or 0-10V dimming through GVA's power-data equipment
- 300mm resolution, each 300mm section can be addressed individually, self-addressing fixtures¹

Projected Lifetime: L70 > 150,000hrs @ $t_a = 25^\circ\text{C}$ (77°F)

Operating Temperatures: -40°C to +50°C (-40°F to 122°F)

OPTIONS:

Power Source: INFINITY® Technology (INF) for exceptionally long runs from a single power source or Extra Low Voltage (ELV) for short runs, remote power supplies

Power Options: 3W, 5W (ASHRAE/IESNA), 10W, or 15W per 300mm (1ft)

Nominal Length: 300 mm (1ft), 600mm (2ft), 900mm (3ft), 1200mm (4ft) and 1500mm (5ft)

Beam Distribution: Range of symmetrical and elliptical beam angles available

Body Color: Black matte and clear matte anodized or custom color²

Accessories:

- Adjustable and non-adjustable mounting brackets
- Glare control louvers

LED Color:

- Custom LED color combinations available²

SPECIFICATION LOGIC: STR9 MONOCHROMATIC

FAMILY	NOMINAL LENGTH	BODY COLOR	POWER per 300mm (1ft)	LED COLOR	OPTICS (FWHM)	INPUT VOLTAGE
STR9	300	BM - Black Matte Anodized CM - Clear Matte Anodized	3W	2200K ²	8 - 8°x8°	ELV - 48VDC ³ INF - 380VDC ⁴
	600		5W - ASHRAE/IESNA	2700K	10 - 10°x10°	
	900		10W	3000K	30 - 30°x30°	
	1200		15W	3500K	60 - 60°x60°	
	1500		4000K	80 - 80°x80°		
				5000K	10x30 - 10°x30°	
				6500K	10x60 - 10°x60°	
				RD - Red	30x60 - 30°x60°	
				AM - Amber		
				GR - Green		
				BL - Blue		
				RB - Royal Blue		
					Other distributions available; consult factory.	

PRODUCT CONFIGURATION

1. Some exceptions apply; INFINITY® addressable by fixture, DALI addressable by run
2. Custom; consult factory, some restrictions apply
3. For short/medium runs; 300mm (1ft) addressability for dimming
4. For long runs; full luminaire addressability; remote INFINITY® power-data equipment required



Monochromatic Linear Wall Washing and Grazing LED Lighting

PRODUCT SPECIFICATION SHEET

PRODUCT SPECIFICATIONS: STR9 MONOCHROMATIC							
Nominal Length			300	600	900	1200	1500
Electrical	Power Consumption @ 48VDC Input	Nominal Wattage					
		3W/ft	3W	6W	9W	12W	15W
		5W/ft	5W	10W	15W	20W	25W
		10W/ft	10W	20W	30W	40W	50W
	Power Consumption @ 380VDC Input	15W/ft	15W	30W	45W	60W	75W
		5W/ft	5W	10W	15W	20W	25W
		10W/ft	10W	20W	30W	40W	50W
	15W/ft	15W	30W	45W	60W	75W	
Optical	Light Source	6 x High Power LEDs per 300mm (1ft)					
	CRI	>80					
	Lumen Output (typical) ^{1,3}	3W	240lm	480lm	720lm	960lm	1200lm
		5W	397lm	794lm	1191lm	1588lm	1985lm
		10W	780lm	1560lm	2340lm	3120lm	3900lm
15W		1119lm	2238lm	3357lm	4476lm	5595lm	
Projected Lumen Maintenance	L70 > 150,000hrs @ t ₃ =25°C (77°F)						
Control	Control Protocol	DMX, DALI or 0-10V control through GVA Power-Data Equipment					
	Control Protocol for ELV	DMX	300mm (1ft) resolutions				
		DALI	Each run is 1 address				
		0-10V					
	Control Protocol for INF	DMX	1 fixture resolution				
		DALI	Each run is 1 address				
0-10V							
Physical	Length	298mm 11.73in	598mm 23.54in	898mm 35.35in	1198mm 47.17in	1498mm 58.98in	
	Width x Height	71.00mm 2.80in		x	59.50mm 2.34in		
	Weight ²	1.00kg 2.20lbs	2.00kg 4.40lbs	3.00kg 6.60lbs	4.00kg 8.80lbs	5.00kg 11.00lbs	
		Housing & Lens: Aluminum body and tempered flat glass lens, IK06 rated, Optional IK10					
	Fixture Connections: IP68 sealed input and output connectors, with audible "click" snap-in & lock						
Temperature Ranges	Rated Operation Temperature	-40°C to +50°C (-22°F to 122°F)					
	Minimum Starting Temperature	-30°C (-22°F)					
	Storage Temperature	-40°C to +85°C (-22°F to 185°F)					
Certification & Safety	IES Classifications	Class 1 LED Luminaire					
		QPS (US Field Evaluation) or ETL (Special Electrical Equipment Inspection) where applicable					
		CE Certified					
		RoHS Compliant					
Environment	Constructed to meet requirements outlined in UL1598 & IEC60598 Meets ANSI C136.31, 3G Vibration standard for bridge and overpass applications Dry, damp, or wet locations, 0-100% humidity, IP66						

1. Data provided for 4000K, with 10 Degree beam angles. Warmer color temperatures typically have a lower lumen output.
 2. Weight provided for ELV fixtures. To calculate the weight of INF fixtures, multiply values by a factor of 1.1
 3. Please consult factory for most recent photometric data.

These figures are subject to change due to further development and innovations of LED light sources



Monochromatic Linear Wall Washing and Grazing LED Lighting

PRODUCT SPECIFICATION SHEET

SELECTING LUMINAIRE VOLTAGE

ELV

- for short and medium runs only, up to 51m (170ft)

INF

- for long runs, up to 307m (1008ft)
- compatible with data center power grids, solar and wind power

MAXIMUM RUN LENGTHS

		m				ft			
		3W	5W	10W	15W	3W	5W	10W	15W
ELV	300	51.3 m	30.6 m	15.3 m	10.2 m	168.3 ft	100.4 ft	50.2 ft	33.5 ft
	600	51.0 m	30.6 m	15.6 m	10.2 m	167.3 ft	100.4 ft	51.2 ft	33.5 ft
	900	51.3 m	30.6 m	15.3 m	9.9 m	168.3 ft	100.4 ft	50.2 ft	32.5 ft
	1200	51.6 m	31.2 m	15.6 m	10.8 m	169.3 ft	102.4 ft	51.2 ft	35.4 ft
	1500	51.0 m	30.0 m	15.0 m	10.5 m	167.3 ft	98.4 ft	49.2 ft	34.4 ft
INF	300		288.0 m	144.0 m	96.0 m		944.9 ft	472.4 ft	315.0 ft
	600		288.0 m	144.0 m	96.0 m		944.9 ft	472.4 ft	315.0 ft
	900		288.0 m	144.0 m	96.3 m		944.9 ft	472.4 ft	315.9 ft
	1200		288.0 m	144.0 m	96.0 m		944.9 ft	472.4 ft	315.0 ft
	1500		288.0 m	144.0 m	96.0 m		944.9 ft	472.4 ft	315.0 ft

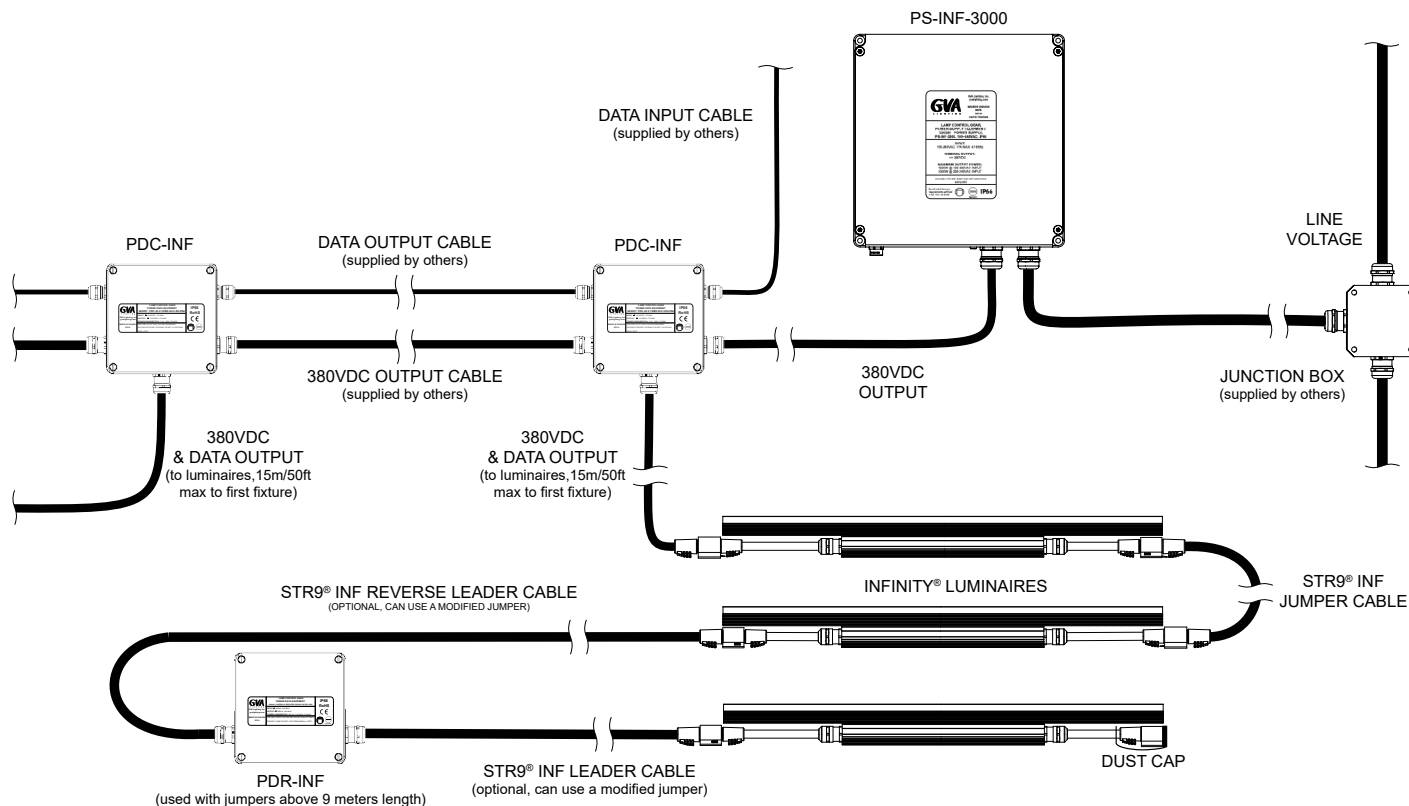
Ratings are for 30°C, de-rating will be used for higher ambient temperatures.



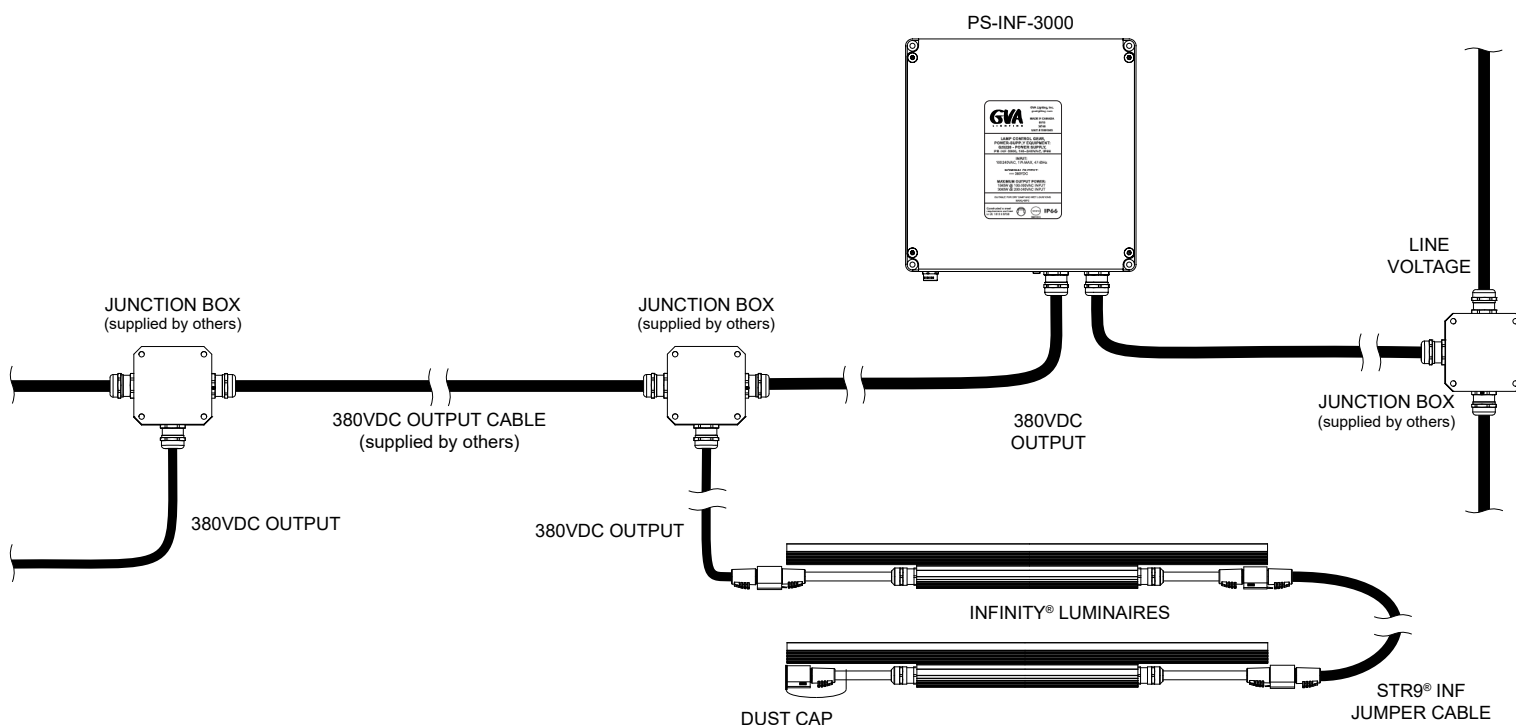
Monochromatic Linear Wall Washing and Grazing LED Lighting

PRODUCT SPECIFICATION SHEET

TYPICAL SYSTEM DIAGRAM: INFINITY® WITH CONTROL



TYPICAL SYSTEM DIAGRAM: INFINITY® WITHOUT CONTROL

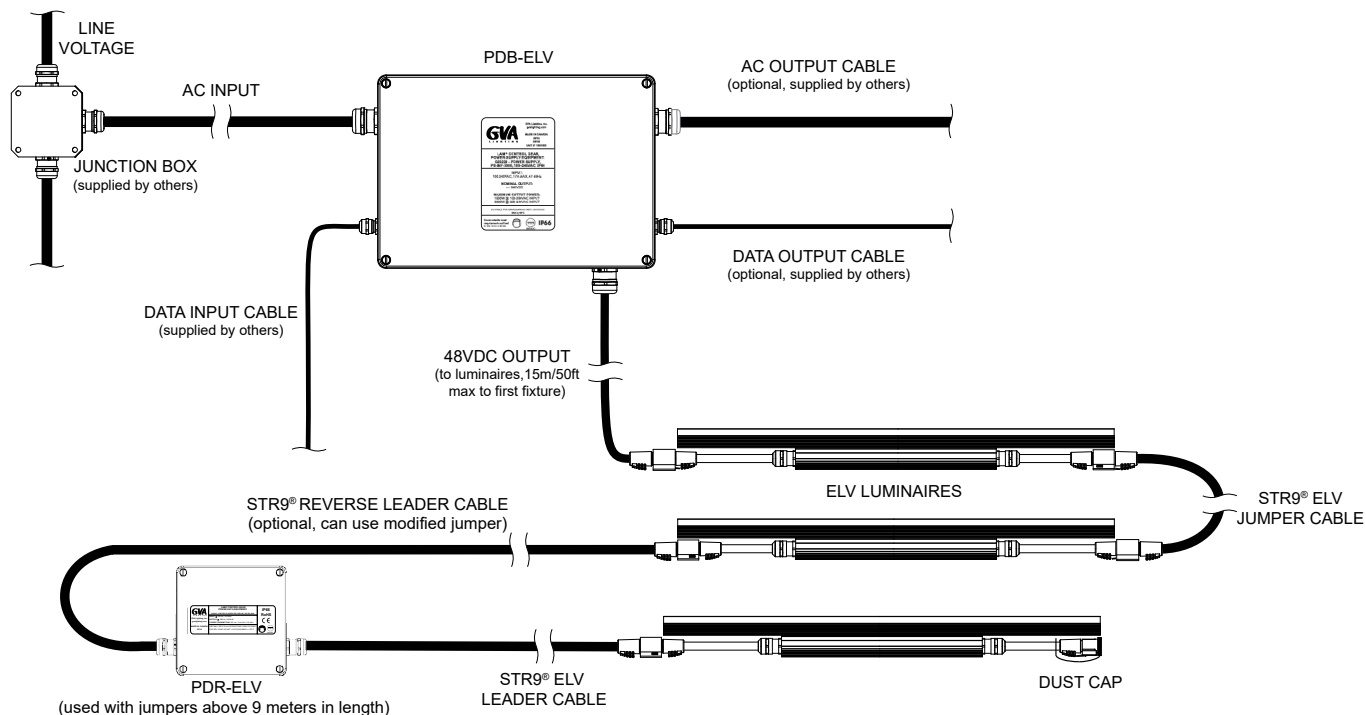




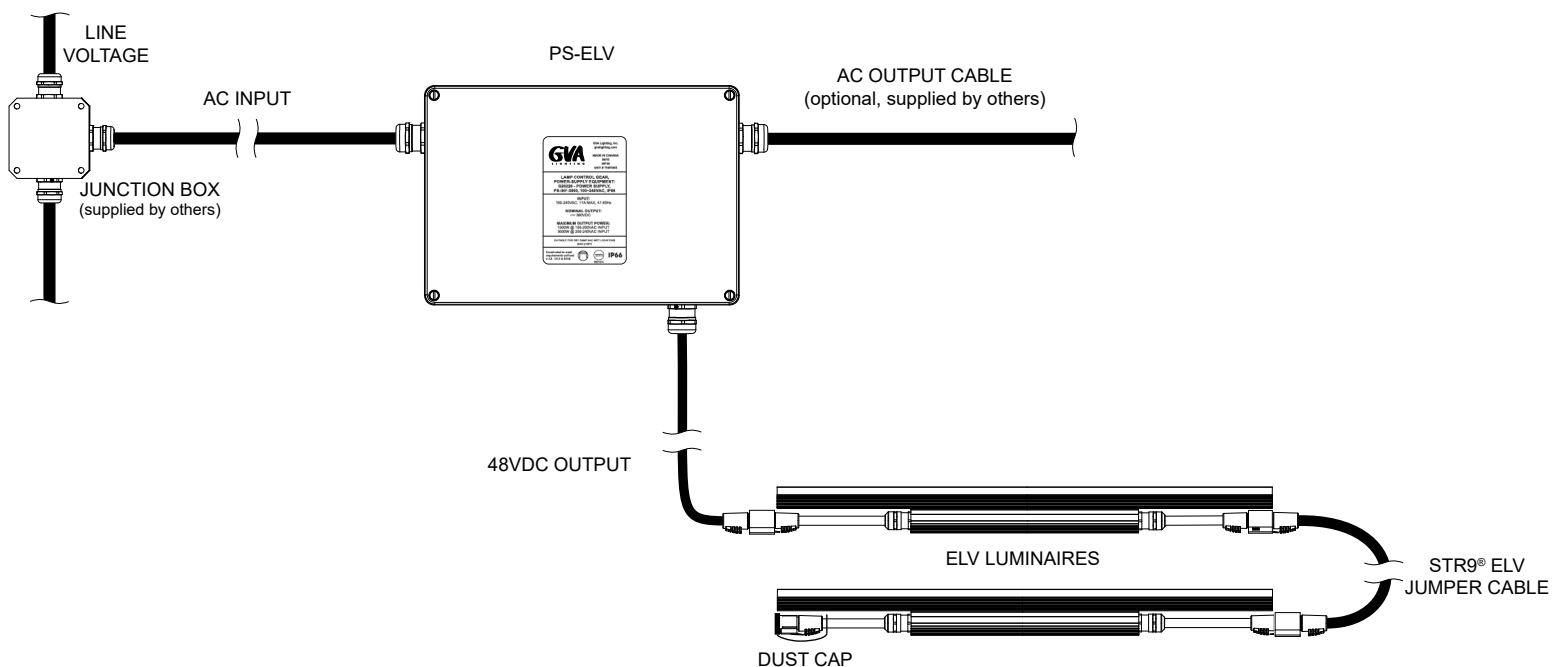
Monochromatic Linear Wall Washing and Grazing LED Lighting

PRODUCT SPECIFICATION SHEET

TYPICAL SYSTEM DIAGRAM: ELV WITH CONTROL



TYPICAL SYSTEM DIAGRAM: ELV WITHOUT CONTROL

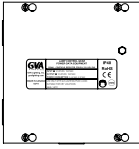







Monochromatic Linear Wall Washing and Grazing LED Lighting

PRODUCT SPECIFICATION SHEET

ORDERING LOGIC: POWER SUPPLIES and POWER DATA EQUIPMENT

ELV POWER SUPPLIES					PDC-INF, INF+ZH, IP66		
FAMILY PS	OUTPUT VOLTAGE ELV48	POWER (Watts) 240 480 320 640		INPUT VOLTAGE 120~277V AC	CONSTRUCTION IP66 - Outdoor		
FAMILY PDB	OUTPUT VOLTAGE ELV48	POWER (Watts) 240 480 320 640	CONTROL INPUT 0~10V DALI DMX	OUTPUT ELV+ZH - ELV Power & ZH Data	INPUT VOLTAGE 120~277V AC	CONSTRUCTION IP66 - Outdoor	
ELV POWER-DATA REPEATER					PDR-ELV, ELV+ZH		
					TYPE	PART NUMBER	WEIGHT
					IP66	G20444	2.13kg / 4.70lbs
INFINITY POWER SUPPLIES					PS-INF-3000		
					INPUT VOLTAGE	PART NUMBER	WEIGHT
					120VAC	G20337	10.98kg / 24.20lbs
					208/240VAC	G20338	
					220/230/240VAC	G20341	
INFINITY POWER-DATA CONVERTORS					PDC-INF, INF+ZH		
					TYPE	PART NUMBER	WEIGHT
					IP66	G20342 G20431 G20343	2.06kg / 4.55lbs
					1DMX		
					2DMX DALI/0~10V		
INF POWER-DATA REPEATER					PDR-INF, ELV+ZH		
					TYPE	PART NUMBER	WEIGHT
					IP66	G20445	2.13kg / 4.70lbs

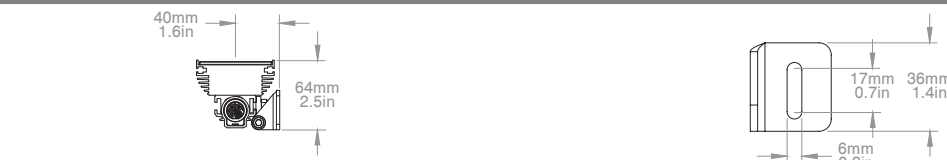


Monochromatic Linear Wall Washing and Grazing LED Lighting

PRODUCT SPECIFICATION SHEET

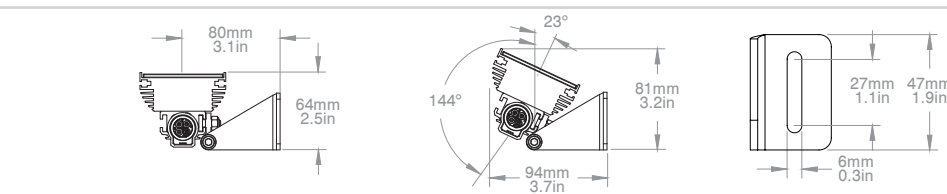
ORDERING LOGIC: STR9 MOUNTING ACCESSORIES

WXX - ADJUSTABLE WALL MOUNT BRACKET KIT



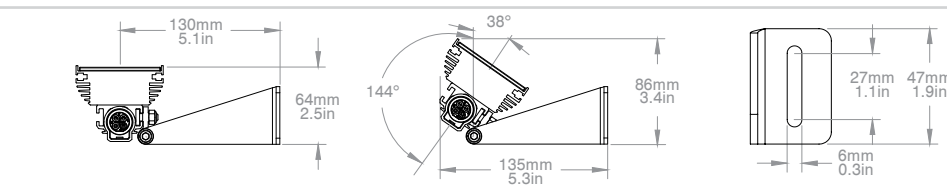
W40 ADJUSTABLE WALL MOUNT

COLOR	PART NUMBER	WEIGHT
Clear Matte Anodized	121128	0.10kg / 0.21lbs
Black Matte Anodized	121129	



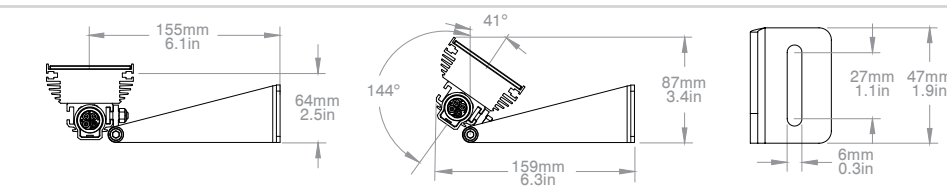
W80 ADJUSTABLE WALL MOUNT

COLOR	PART NUMBER	WEIGHT
Clear Matte Anodized	121130	0.12kg / 0.27lbs
Black Matte Anodized	121131	



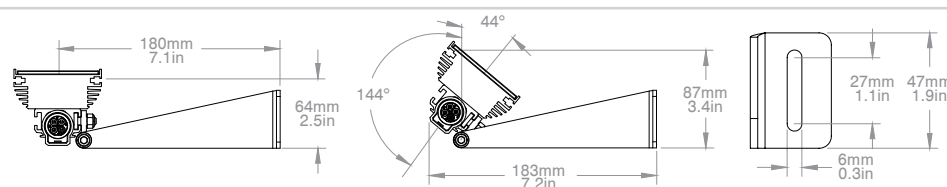
W130 ADJUSTABLE WALL MOUNT

COLOR	PART NUMBER	WEIGHT
Clear Matte Anodized	121132	0.15kg / 0.32lbs
Black Matte Anodized	121133	



W155 ADJUSTABLE WALL MOUNT

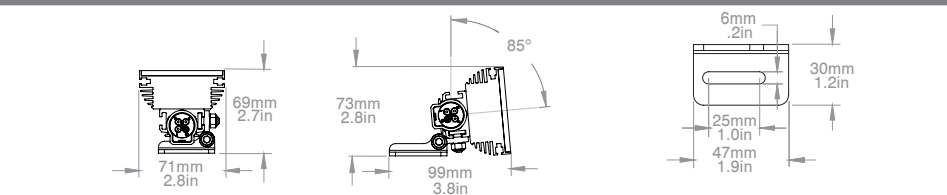
COLOR	PART NUMBER	WEIGHT
Clear Matte Anodized	121134	0.16kg / 0.35lbs
Black Matte Anodized	121135	



W180 ADJUSTABLE WALL MOUNT

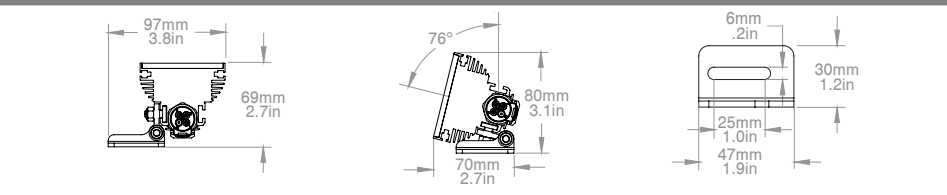
COLOR	PART NUMBER	WEIGHT
Clear Matte Anodized	121136	0.17kg / 0.38lbs
Black Matte Anodized	121137	

SMA-I - INSIDE ADJUSTABLE SURFACE MOUNT BRACKET KIT



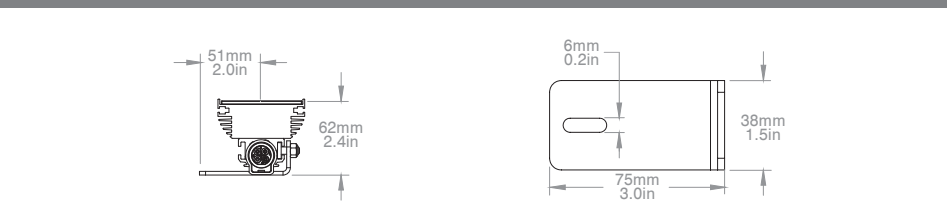
COLOR	PART NUMBER	WEIGHT
Clear Matte Anodized	121138	0.09kg / 0.20lbs
Black Matte Anodized	121139	

SMA-O - OUTSIDE ADJUSTABLE SURFACE MOUNT BRACKET KIT



COLOR	PART NUMBER	WEIGHT
Clear Matte Anodized	121825	0.09kg / 0.20lbs
Black Matte Anodized	121826	

SML - SURFACE MOUNT BRACKET KIT, NON-ADJUSTABLE



COLOR	PART NUMBER	WEIGHT
Clear Matte Anodized	121140	0.08kg / 0.18lbs
Black Matte Anodized	121141	

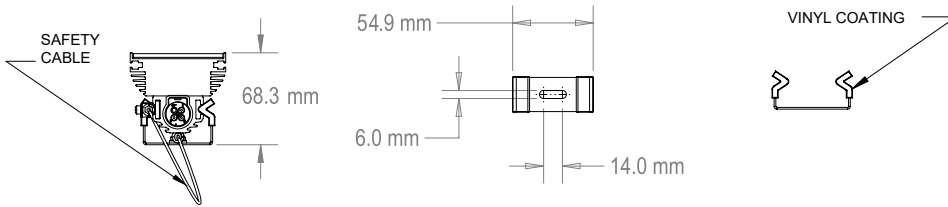


Monochromatic Linear Wall Washing and Grazing LED Lighting

PRODUCT SPECIFICATION SHEET

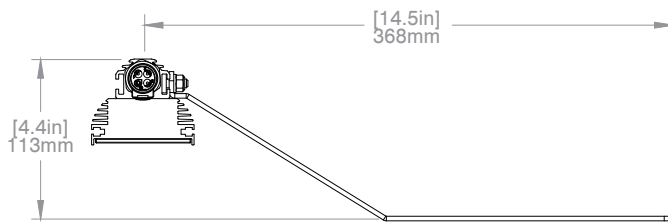
ORDERING LOGIC: STR9 MOUNTING ACCESSORIES

CLP - CLIP MOUNT KIT, NON-ADJUSTABLE



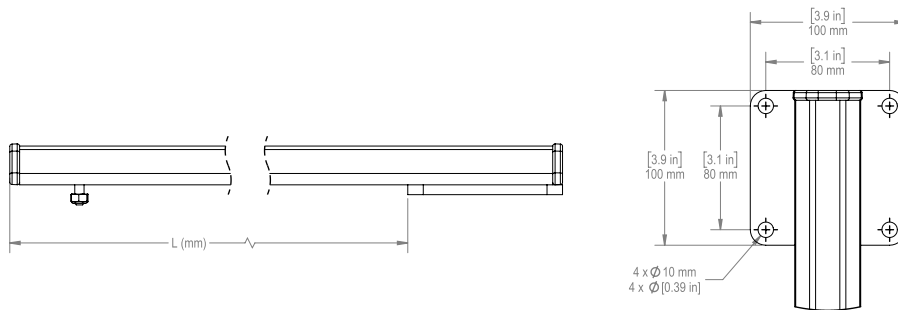
COLOR	PART NUMBER	WEIGHT
Stainless Steel	121147	0.21kg / 0.47lbs

MCD - CANTILEVER BRACKET, NON-ADJUSTABLE



COLOR	PART NUMBER	WEIGHT
Stainless Steel	121146	0.94kg / 2.08lbs

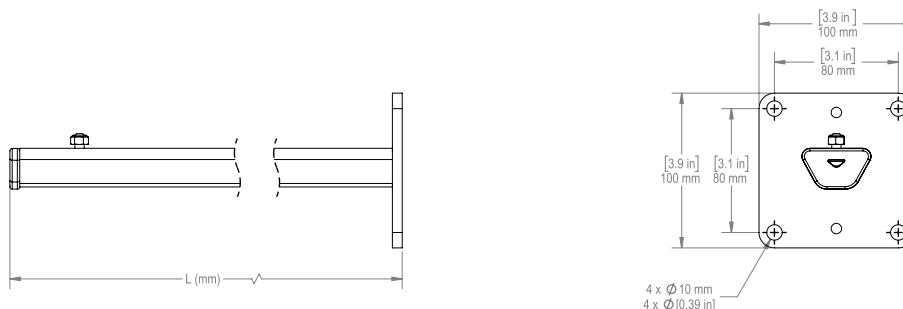
CH - ADJUSTABLE HORIZONTAL CANTILEVER BRACKET KIT - 100 MM TO 500 MM



*Fixture bracket not included, please order separately

TYPE	CM	BM	WEIGHT
CH-100	123336	123355	0.77kg / 1.69lbs
CH-150	123337	123356	0.87kg / 1.92lbs
CH-200	123338	123357	0.98kg / 2.16lbs
CH-250	123339	123358	1.08kg / 2.39lbs
CH-300	123340	123359	1.19kg / 2.62lbs
CH-350	123341	123360	1.29kg / 2.85lbs
CH-400	123342	123361	1.40kg / 3.08lbs
CH-450	123343	123362	1.50kg / 3.31lbs
CH-500	123344	123363	1.61kg / 3.54lbs

CV - ADJUSTABLE VERTICAL CANTILEVER BRACKET KIT - 100 MM TO 500 MM



*Fixture bracket not included, please order separately

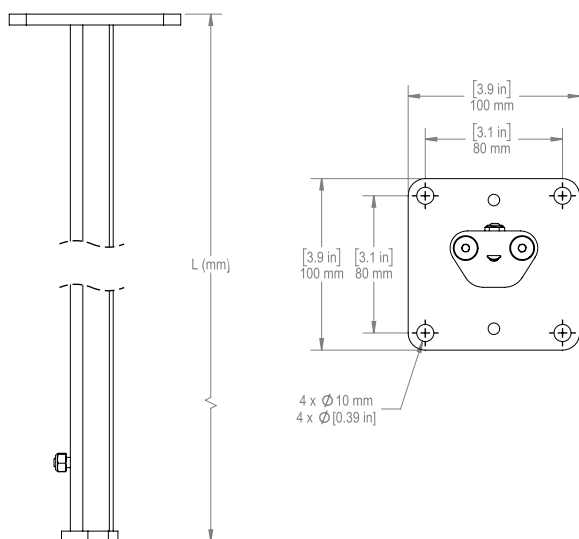
TYPE	CM	BM	WEIGHT
CV-100	123374	123393	0.59kg / 1.30lbs
CV-150	123375	123394	0.70kg / 1.53lbs
CV-200	123376	123395	0.80kg / 1.77lbs
CV-250	123377	123396	0.91kg / 2.00lbs
CV-300	123378	123397	1.01kg / 2.23lbs
CV-350	123379	123398	1.12kg / 2.46lbs
CV-400	123380	123399	1.22kg / 2.69lbs
CV-450	123381	123400	1.33kg / 2.92lbs
CV-500	123382	123401	1.43kg / 3.15lbs

Monochromatic Linear Wall Washing and Grazing LED Lighting

PRODUCT SPECIFICATION SHEET

ORDERING LOGIC: STR9 MOUNTING ACCESSORIES

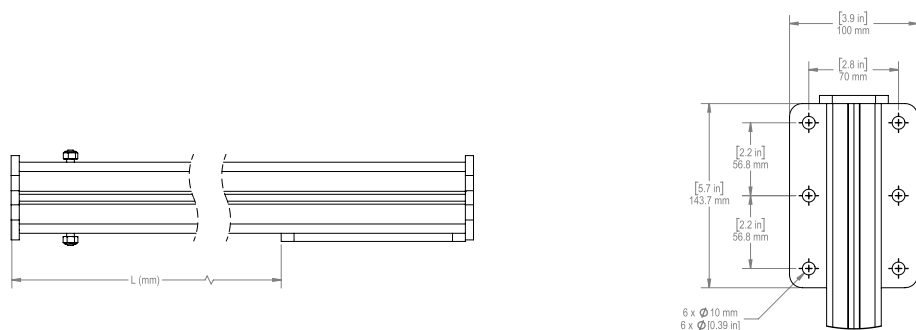
CC - ADJUSTABLE CEILING MOUNT CANTILEVER BRACKET KIT - 100 MM TO 1000 MM



*Fixture bracket not included, please order separately

TYPE	CM	BM	WEIGHT
CC-100	123766	123785	0.62kg / 1.37lbs
CC-150	123767	123786	0.72kg / 1.60lbs
CC-200	123768	123787	0.83kg / 1.83lbs
CC-250	123769	123788	0.93kg / 2.06lbs
CC-300	123770	123789	1.04kg / 2.29lbs
CC-350	123771	123790	1.14kg / 2.52lbs
CC-400	123772	123791	1.25kg / 2.75lbs
CC-450	123773	123792	1.35kg / 2.98lbs
CC-500	123774	123793	1.46kg / 3.22lbs
CC-550	123775	123794	1.56kg / 3.45lbs
CC-600	123776	123795	1.67kg / 3.68lbs
CC-650	123777	123796	1.77kg / 3.91lbs
CC-700	123778	123797	1.88kg / 4.14lbs
CC-750	123779	123798	1.98kg / 4.37lbs
CC-800	123780	123799	2.09kg / 4.60lbs
CC-850	123781	123800	2.19kg / 4.83lbs
CC-900	123782	123801	2.30kg / 5.06lbs
CC-950	123783	123802	2.40kg / 5.30lbs
CC-1000	123784	123803	2.51kg / 5.53lbs

DCH - ADJUSTABLE HORIZONTAL DOUBLE CANTILEVER BRACKET KIT - 100 MM TO 500 MM



*Fixture bracket not included, please order separately

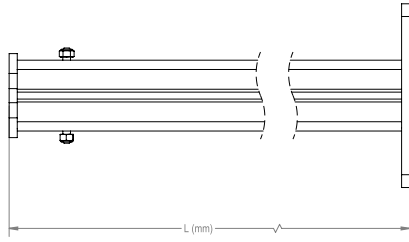
TYPE	CM	BM	WEIGHT
DCH-100	123709	123728	1.93kg / 4.25lbs
DCH-150	123710	123729	2.14kg / 4.71lbs
DCH-200	123711	123730	2.35kg / 5.17lbs
DCH-250	123712	123731	2.56kg / 5.63lbs
DCH-300	123713	123732	2.77kg / 6.10lbs
DCH-350	123714	123733	2.98kg / 6.56lbs
DCH-400	123715	123734	3.18kg / 7.02lbs
DCH-450	123716	123735	3.39kg / 7.48lbs
DCH-500	123717	123736	3.60kg / 7.95lbs

Monochromatic Linear Wall Washing and Grazing LED Lighting

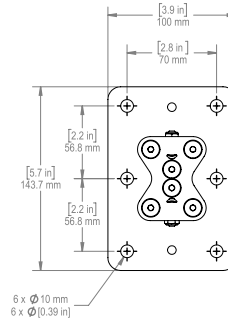
PRODUCT SPECIFICATION SHEET

ORDERING LOGIC: STR9 MOUNTING ACCESSORIES

DCV-C - ADJUSTABLE VERTICAL & CEILING MOUNT DOUBLE CANTILEVER BRACKET KIT - 100 MM TO 500 MM

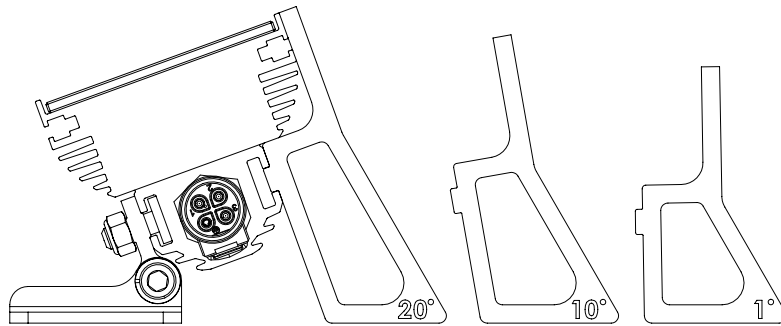


*Fixture bracket not included, please order separately



TYPE	CM	BM	WEIGHT
DCV-C-100	123628	123647	1.17kg / 2.57lbs
DCV-C-150	123629	123648	1.38kg / 3.04lbs
DCV-C-200	123630	123649	1.58kg / 3.50lbs
DCV-C-250	123631	123650	1.80kg / 3.96lbs
DCV-C-300	123632	123651	2.01kg / 4.42lbs
DCV-C-350	123633	123652	2.22kg / 4.88lbs
DCV-C-400	123634	123653	2.46kg / 5.35lbs
DCV-C-450	123635	123654	2.64kg / 5.81lbs
DCV-C-500	123636	123655	2.84kg / 6.27lbs

ANGLE ADJUSTMENT AND INSTALLATION TOOLS FOR SMA - ANGLES FROM 1° TO 20°



TYPE	PART NUMBER
1°	310028
2°	310029
3°	310030
4°	310031
5°	310032
6°	310033
7°	310034
8°	310035
9°	310036
10°	310037
11°	310038
12°	310039
13°	310040
14°	310041
15°	310042
16°	310043
17°	310044
18°	310045
19°	310046
20°	310047

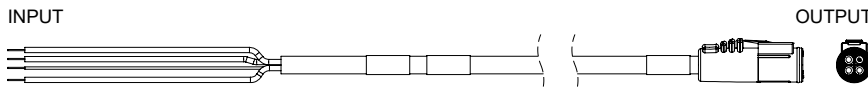


Monochromatic Linear Wall Washing and Grazing LED Lighting

PRODUCT SPECIFICATION SHEET

ORDERING LOGIC: COMMON COMPONENTS

STR9 LEADER CABLE ELV



*Not all leader lengths are shown.

NOMINAL LENGTH	PART NUMBER
3m (9ft)	141481
6m (19ft)	141484
9m (30ft)	141487
15m (50ft)	141489
30m (100ft)	141492

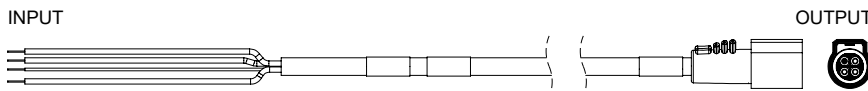
STR9 REVERSE LEADER CABLE ELV



*Not all leader lengths are shown.

NOMINAL LENGTH	PART NUMBER
3m (9ft)	142231
6m (19ft)	142234
9m (30ft)	142237
15m (50ft)	142239
30m (100ft)	142242

STR9 LEADER CABLE INF



*Not all leader lengths are shown.

NOMINAL LENGTH	PART NUMBER
3m (9ft)	141495
6m (19ft)	141498
9m (30ft)	141501
15m (50ft)	141503
30m (100ft)	141506

STR9 REVERSE LEADER CABLE INF



*Not all leader lengths are shown.

NOMINAL LENGTH	PART NUMBER
3m (9ft)	142201
6m (19ft)	142204
9m (30ft)	142207
15m (50ft)	142209
30m (100ft)	142197

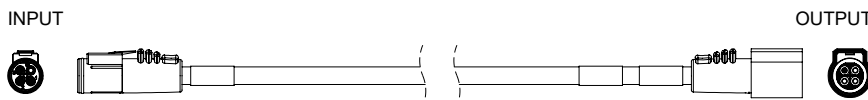
STR9 JUMPER CABLE ELV



*Not all jumper lengths are shown. Lengths available in 300mm increments.

NOMINAL LENGTH	PART NUMBER
0.30m (1ft)	141739
0.60m (2ft)	141740
0.90m (3ft)	141741
1.20m (4ft)	141742
1.50m (5ft)	141743
1.80m (6ft)	141744
3.60m (12ft)	141750
6.00m (20ft)	141758
9.00m (30ft)	141768

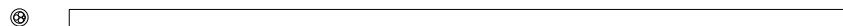
STR9 JUMPER CABLE INF



*Not all jumper lengths are shown. Lengths available in 300mm increments.

NOMINAL LENGTH	PART NUMBER
0.30m (1ft)	141789
0.60m (2ft)	141790
0.90m (3ft)	141791
1.20m (4ft)	141792
1.50m (5ft)	141793
1.80m (6ft)	141794
3.60m (12ft)	141800
6.00m (20ft)	141808
9.00m (30ft)	141818

STR9 CABLE 3X14 AWG + 1X24 AWG



NOMINAL LENGTH	PART NUMBER
Raw cable cut to length. Please specify required length.	280253

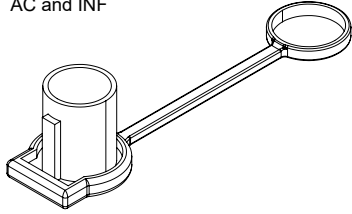
Monochromatic Linear Wall Washing and Grazing LED Lighting

PRODUCT SPECIFICATION SHEET

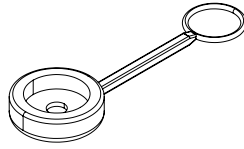
ORDERING LOGIC: COMMON COMPONENTS

STR9 CONNECTOR DUST CAP, IP67 (Must be used at the end of each run)

AC and INF

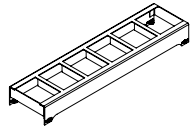


ELV



TYPE	PART NUMBER	WEIGHT
STR-ELV	231182	3.40g / 0.11oz
STR9-INF	230855	6.24g / 0.22oz

STR9 GLARE CONTROL LOUVERS - 300 MM



LOUVER

TYPE	PART NUMBER	WEIGHT
M-KIT LOUVER, BLACK	122737	0.08kg / 0.18lbs

