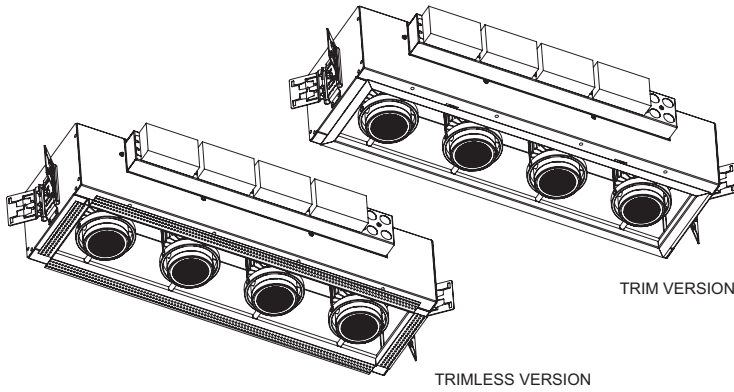
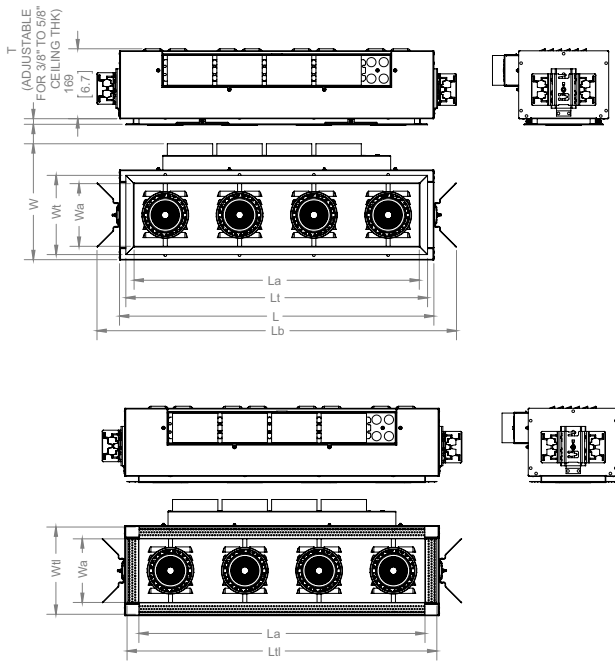


Product Specification Sheet



Mechanical Drawings



Date: _____

Type: _____

Company: _____

Project: _____

Recessed, adjustable aim downlight for general, accent and spot lighting where high quality of light is essential.

Downlight:

- Designed around Xicato XTM series LED module with Corrected Cold Phosphor Technology
- Outstanding color quality: 83 CRI, and 98 CRI options
- Vibrant Series: Gamut Area Index 111, and 120 options
- Outstanding color consistency: initial 1x2 MacAdam ellipses, and no more than 1x3 MacAdam ellipses
- 5 year color consistency warranty
- Seven lumen output options: 700, 1000, 1300, 2000, 3000, 4000 and 5000lm
- Four beam angle options: 20°, 40°, 60° and Wall Washing (20° x 60°)
- Aiming: ±35° dual-axis adjustable gimbal mechanism
- Four standard downlight body colors: clear bright anodized, clear matte anodized, black matte anodized, and white painted
- Thermal design: passive heat sink guarantees L80 at 50,000hrs

Recessed Housing:

- Five standard downlight configurations: 1x1, 1x2, 1x3, 1x4 and 2x2
- Housing color options: satin finish RAL 9003 White or RAL 9004 Black
- Powder-coated 22ga. steel construction
- Trimmed finish: 1" steel trim frame; RAL 9003 White, RAL 9004 Black or RAL 9016 Silver powder coat finish
- Trimless finishing section: fabricated from construction industry leading Trim-Tex vinyl drywall bead
- Contractor friendly installation and service: pre-installed I/O push-in wire connectors, thumb screw junction box/driver mounting
- ½" trade-size conduit knockouts provided for line voltage and dimming control input/output
- Height adjustable butterfly brackets for bar hangers
- Easy snap-in installation of GORO downlight modules
- Drivers accessible and removable/serviceable from room side after installation via easy-to-use thumb screws
- Dimmable with 0~10V or DALI control
- Type non-IC fixture

Specification Logic - Recessed Housing and Power Supply

FAMILY	MODULE CONFIGURATION	BODY COLOR	TRIM COLOR	DRIVER LUMENS	DIMMING CONTROL	INPUT VOLTAGE
GORO-RH	1x1 1x2 1x3 1x4 2x2	WT - White (RAL9003) BLK - Black (RAL9004)	TL - Trimless TRW - White Trim (RAL 9003) TRB - Black Trim (RAL 9004) TRS - Silver Trim (RAL 9006)	700 1000 1300/2000 3000 4000/5000	ND - No Dimming 0~10V DALI	120~277VAC 347VAC ¹ Sample logic: GORO-RH-1x2-WT-TRS-3000-0~10V-120~277VAC

Product Configuration

GORO-RH-1x2 -WT -TRS -3000 -0~10V -120~277VAC

Specification Logic - Downlight Module

FAMILY	BODY COLOR	LUMENS	COLOR TEMPERATURE	CRI	BEAM ANGLE
GORO-DL	CM - Clear Matte CB - Clear Bright BM - Black Matte WT - White Painted (RAL 9003)	700 1000 1300 2000 3000 4000 5000	2700K 3000K 3500K 4000K	83 - Standard, CRI 83 V8 ² - Vibrant, CRI 83 98 ³ - Artist, CRI 98 V9 ⁴ - Vibrant, CRI 98	20 - 20° FWHM 40 - 40° FWHM 60 - 60° FWHM 20x60 - 20°x60° Elliptical Wall Washing Lens

Sample Logic :
GORO-DL-CB-1300-2700K-95-20

Product Configuration

GORO-DL-CB -1300 -2700K -95 -20

1 - Supplied with external step-down transformer, c/w enclosure.
2 - Available for 3000K module only.
3 - Available for 700lm - 2000lm module only.
4 - Available for 700lm - 2000lm, 3000K module only.

Product Specification Sheet

Product Specifications

GORO (typical specifications for 1 downlight)			
Electrical	Rated Input Voltage	Nominal	120-277VAC or 347VAC (external transformer c/w enclosure)
	Power Consumption (maximum)	700lm	10.4W
		1000lm	14.2W
		1300lm	20.4W
		2000lm	34.5W
		3000lm	35.3W
		4000lm	49.4W
Drive Current (through LED module)	5000lm	58.8W	
		350mA (700lm), 500mA (1000lm), 700mA (1300/2000lm), 1050mA (3000lm), and 1400mA (4000/5000lm).	
Optical	Light Source		Xicato XTM LED Module
	Luminous Flux (lm)	lm	700, 1000, 1300, 2000, 3000, 4000, and 5000lm
	CRI		Standard/V8 = 83, Artist/V9 = 98
Control	Control Interface		No Dimming, 1~10V or DALI
	Fixture Connections		4 x 1/2" Trade-size conduit knock-outs
Physical	Length x Width x Height		See drawings on pages 2-5
	Housing		22ga. Galvannealed Steel, Powder Coated Paint
	Rated Operating Temperature		0°C to +40°C, 32°F to +104°F
	Rated Lifetime (L70 @ 23°C)		>50,000hrs L80
	Environment		Dry or damp locations
Certification & Safety	Compliance		CE, ROHS
	IEC Classification		Class 1 LED luminaire

These figures are subject to change due to further development and innovations.

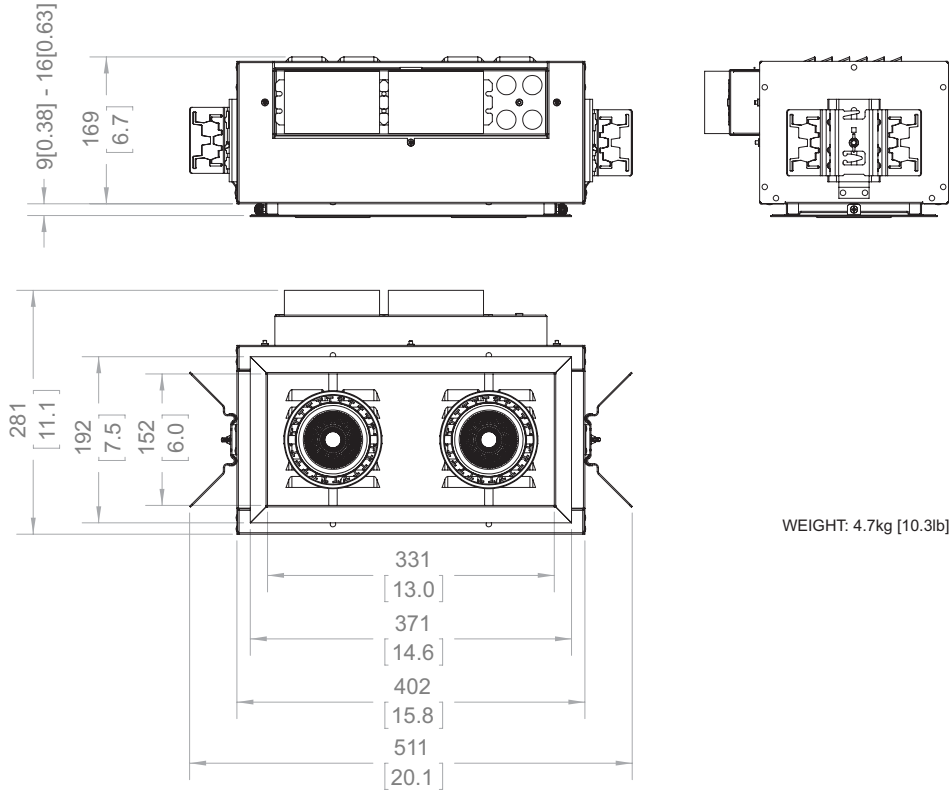
Mechanical Drawings

1x1 TRIM mm [in]	1x1 TRIMLESS mm [in]
<p>WEIGHT: 2.3kg [5.0lb]</p>	<p>WEIGHT: 2.4kg [5.2lb]</p>

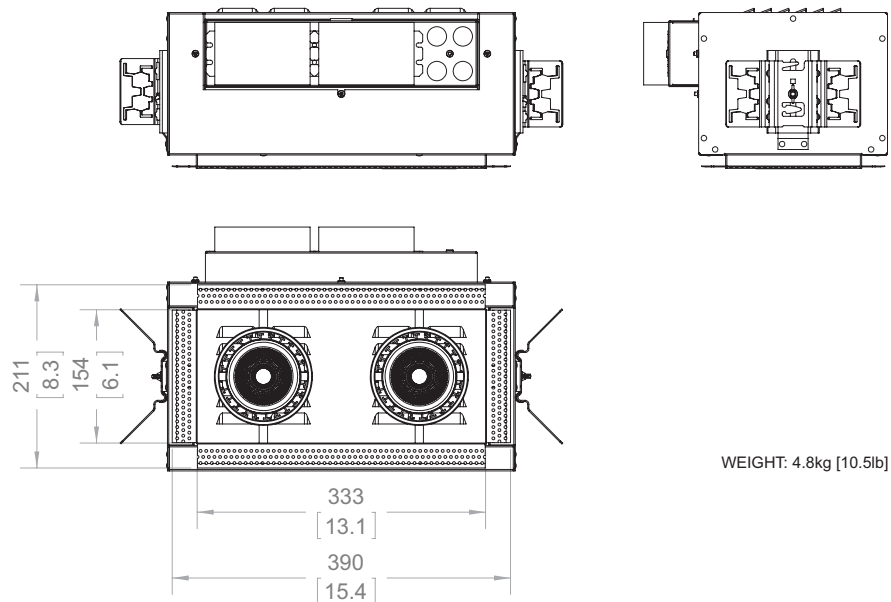
Product Specification Sheet

Mechanical Drawings

1x2 TRIM mm [in]



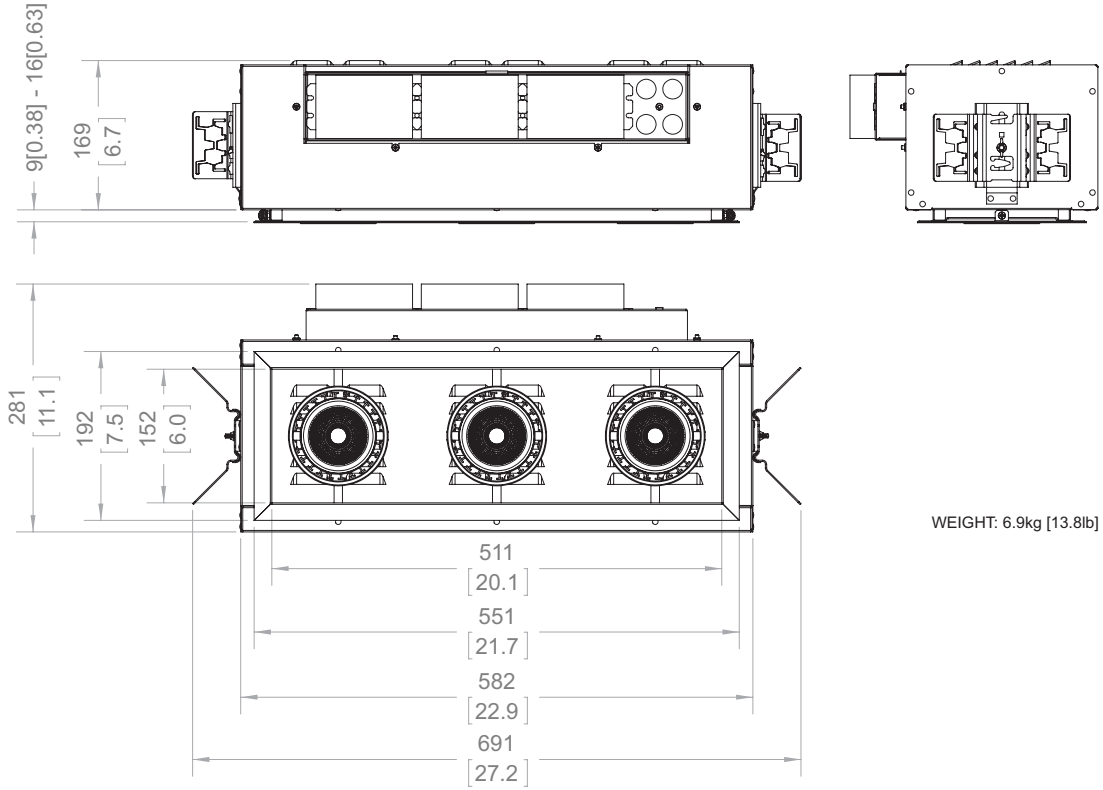
1x2 TRIMLESS mm [in]



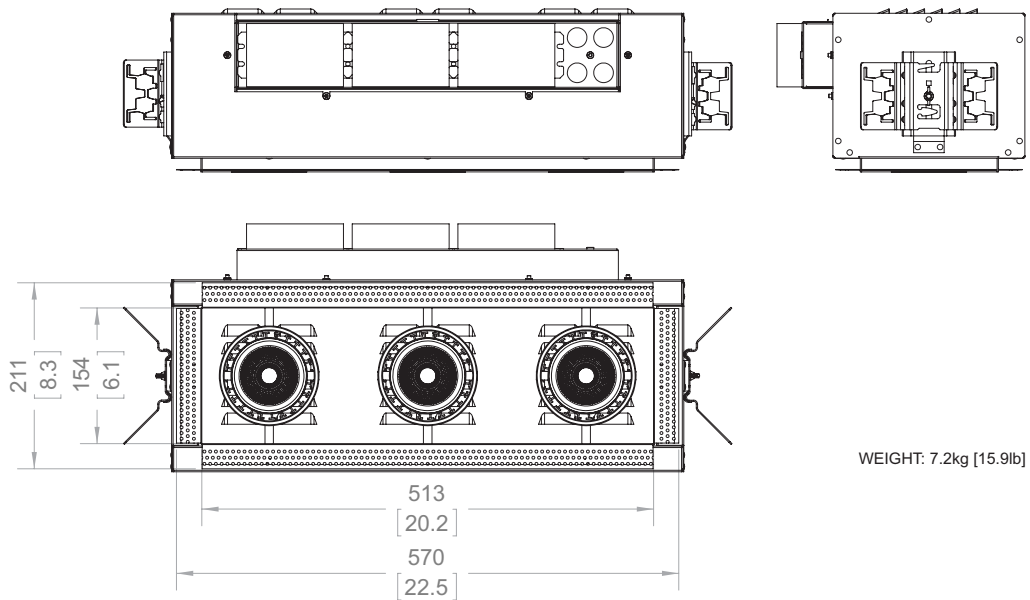
Product Specification Sheet

Mechanical Drawings

1x3 TRIM mm [in]



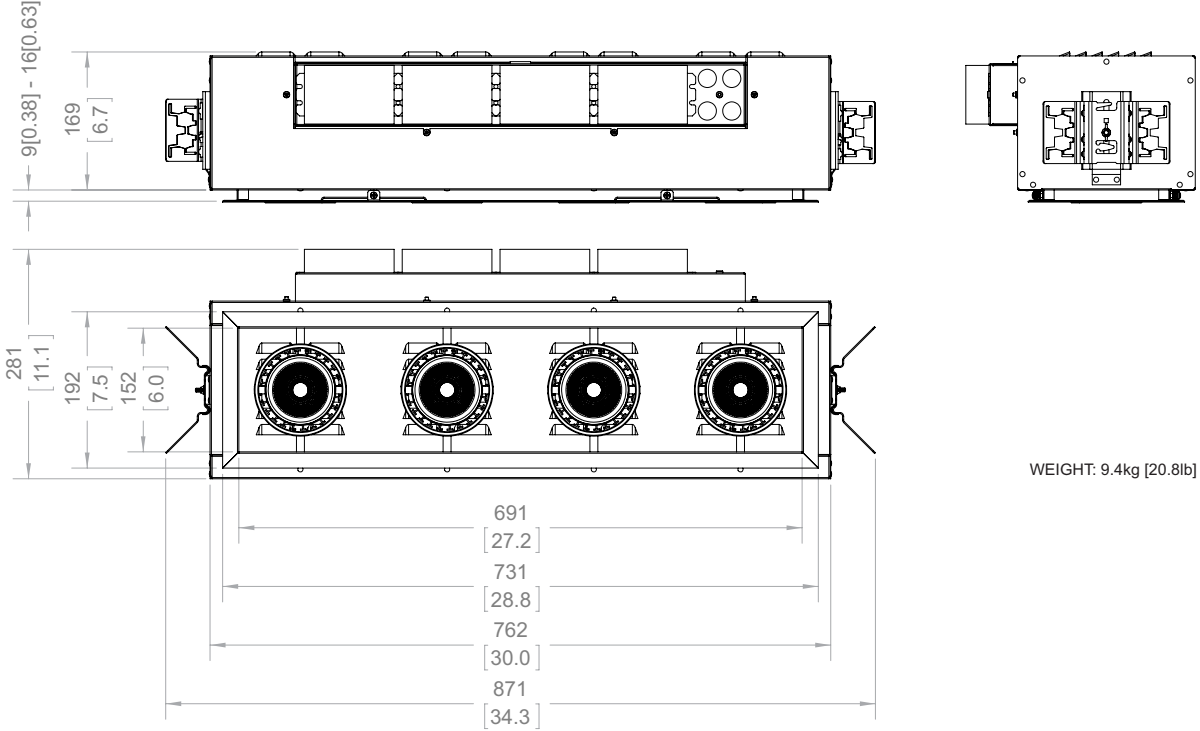
1x3 TRIMLESS mm [in]



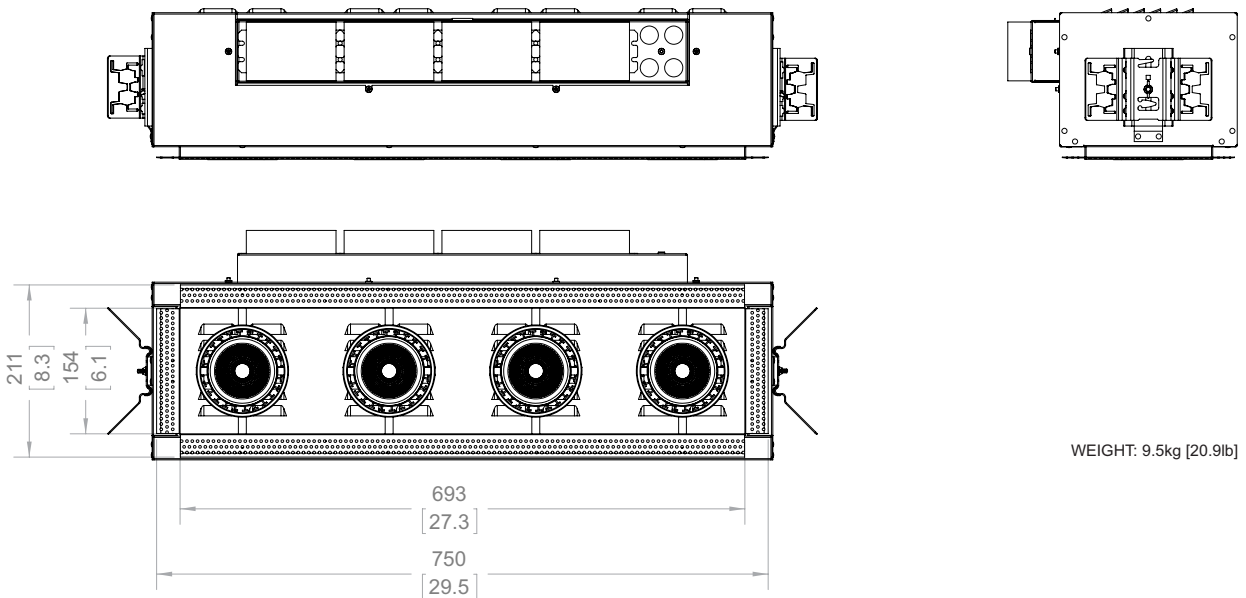
Product Specification Sheet

Mechanical Drawings

1x4 TRIM mm [in]



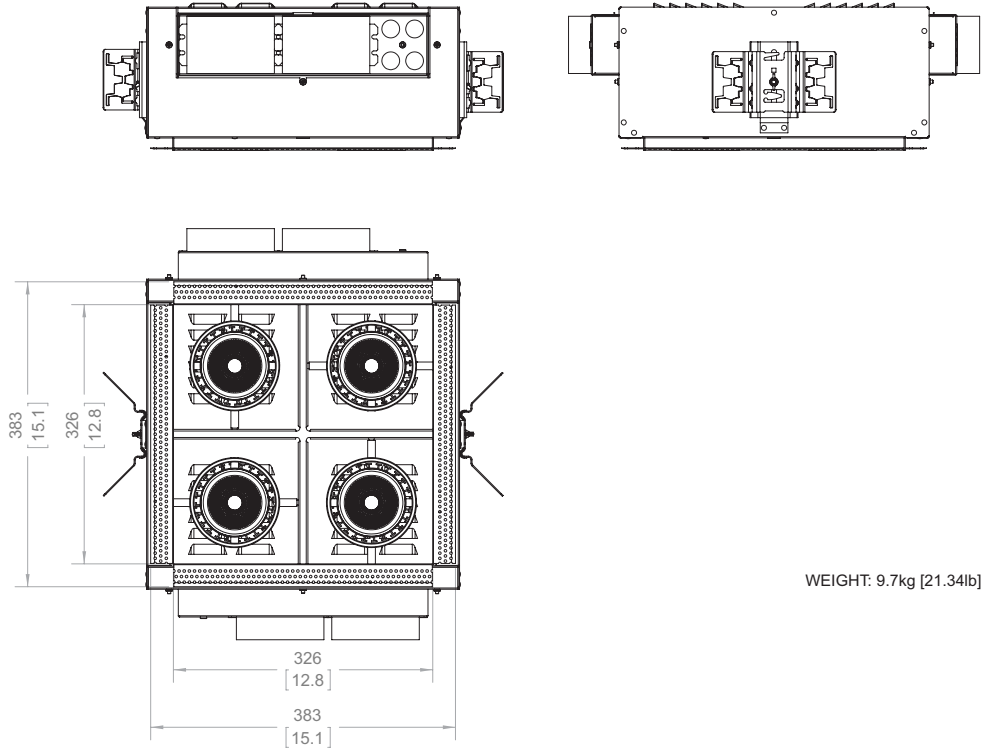
1x4 TRIMLESS mm [in]



Product Specification Sheet

Mechanical Drawings

2x2 TRIM mm [in]



2x2 TRIMLESS mm [in]

