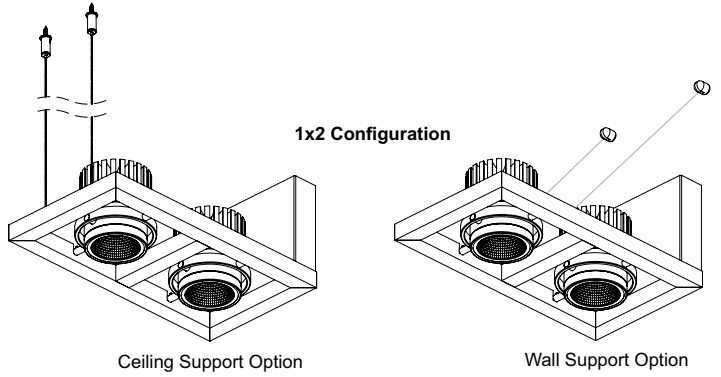
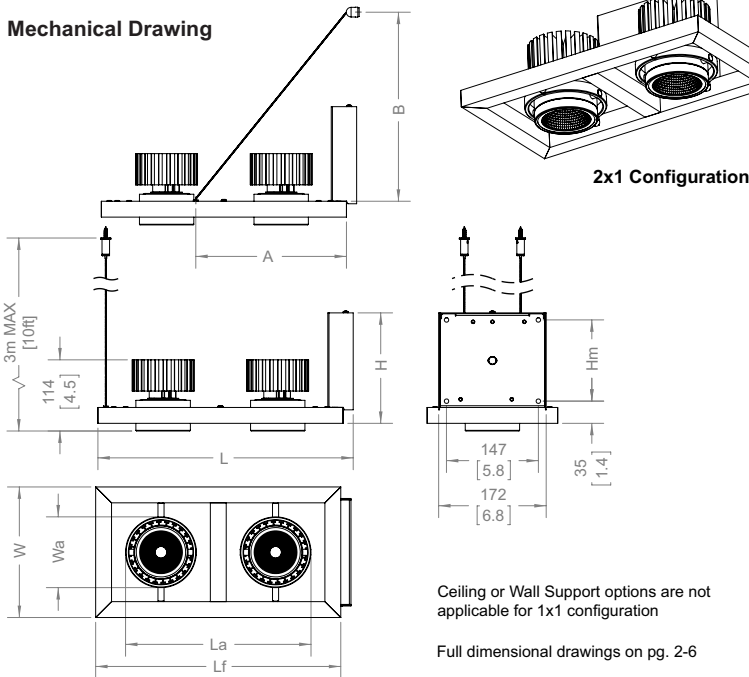


Product Specification Sheet



Mechanical Drawing



Date: _____
 Type: _____
 Company: _____
 Project: _____

Wall-mount open frame, adjustable aim downlight for general, accent and spot lighting where high quality of light is essential.

Downlight:

- Designed around Xicato XTM series LED module with Corrected Cold Phosphor Technology
- Outstanding color quality: 83 CRI, and 98 CRI options
- Vibrant Series: Gamut Area Index 111, and 120 options
- Outstanding color consistency: initial 1x2 MacAdam ellipses, and no more than 1x3 MacAdam ellipses
- 5 year color consistency warranty
- Seven lumen output options: 700, 1000, 1300, 2000, 3000, 4000 and 5000lm
- Four beam angle options: 20°, 40°, 60° and Wall Washing (20° x 60°)
- Aiming: ±35° dual-axis adjustable gimbal mechanism
- Four standard downlight body colors: clear bright anodized, clear matte anodized, black matte anodized, and white painted
- Thermal design: passive heat sink guarantees L80 at 50,000 hours

Wall Mount Frame and Power Pack:

- Seven downlight configurations: 1x1, 1x2, 1x3, 1x4, 2x1, 3x1 and 4x1
- Two fixture orientations: short side attached to the wall (1x2, 1x3, 1x4) and long side attached to the wall (2x1, 3x1, 4x1)
- Includes open downlight frame and wall-mount power pack for mounting over junction boxes
- Wall-mount power pack: galvanized steel and aluminum sheet metal construction
- 1" aluminum square tube construction
- Color options: clear matte anodized and black matte anodized
- 3m (10ft) suspension cables provided for floating end of frame with two options: ceiling or wall mounting
- Easy snap-in installation of GORO downlight modules
- Dimmable with 0~10V or DALI control

Specification Logic - Wall Mount Frame

FAMILY	MODULE CONFIGURATION	BODY COLOR	LUMEN OUTPUT (per module)	DIMMING CONTROL	INPUT VOLTAGE
GORO-WF	1x1 1x2 1x3 1x4 2x1 3x1 4x1	CM - Clear Matte BM - Black Matte	700 1000 1300/2000 3000	ND - No Dimming 0~10V DALI	120~277VAC 347VAC ¹

Sample logic: GORO-WF-1x4-CM-1300/2000-0~10V-120~277VAC

Product Configuration

GORO-WF -1x4 -CM -1300/2000 -0~10V -120~277VAC

Specification Logic - Downlight Module

FAMILY	BODY COLOR	LUMENS	COLOR TEMPERATURE	CRI	BEAM ANGLE
GORO-DL	CM - Clear Matte CB - Clear Bright BM - Black Matte	700 1000 1300 2000 3000	2700K 3000K 3500K 4000K	83 - Standard, CRI 83 V8 ² - Vibrant, CRI 83 98 ³ - Artist, CRI 98 V9 ⁴ - Vibrant, CRI 98	20 - 20° FWHM 40 - 40° FWHM 60 - 60° FWHM 20x60 - 20°x60° Elliptical Lens

Sample logic: GORO-DL-CB-1300-2700K-95-20

Product Configuration

GORO-DL -CB -1300 -2700K -95 -20

1 - Supplied with external step-down transformer, c/w enclosure.
 2 - Available for 3000K module only.
 3 - Available for 700lm - 2000lm module only.
 4 - Available for 700lm - 2000lm, 3000K module only.

Product Specification Sheet

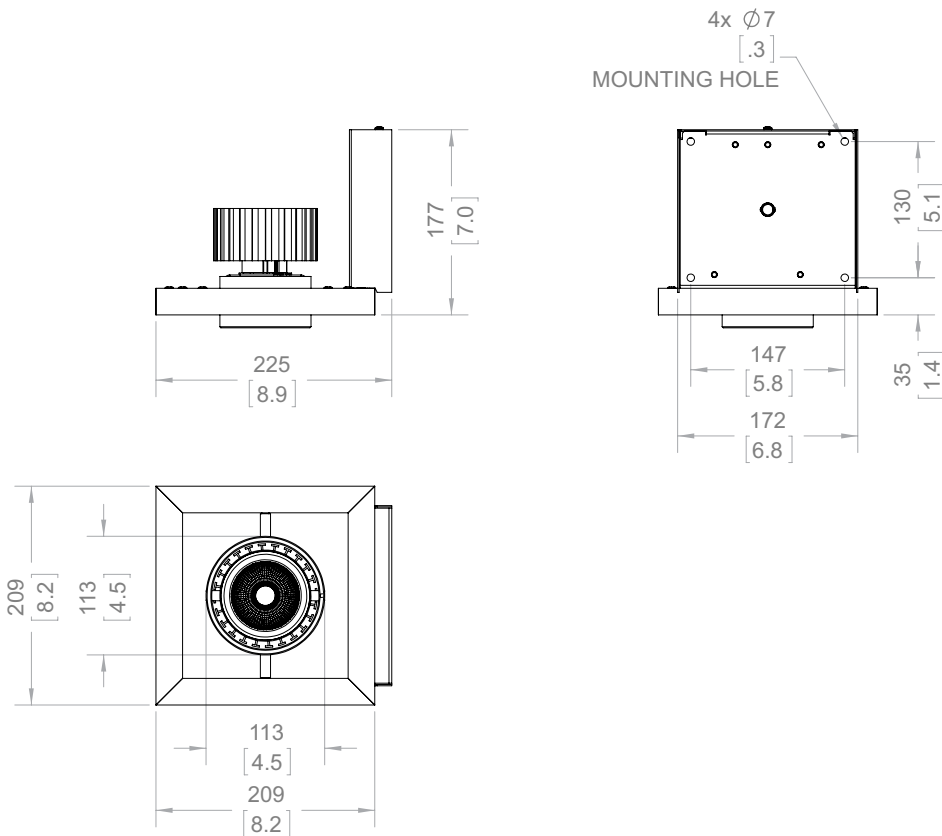
Product Specifications

GORO (typical specifications for 1 downlight)			
Electrical	Rated Input Voltage	Nominal	120-277VAC or 347VAC (external transformer c/w enclosure)
	Power Consumption (maximum)	700lm	10.4W
		1000lm	14.2W
		1300lm	20.4W
		2000lm	34.5W
		3000lm	35.3W
		4000lm	49.4W
	5000lm	58.8W	
Drive Current (through LED module)			350mA (700lm), 500mA (1000lm), 700mA (1300/2000lm), 1050mA (3000lm), and 1400mA (4000/5000lm).
Optical	Light Source		Xicato XTM LED Module
	Luminous Flux (typical)	lm	700, 1000, 1300, 2000, 3000, 4000, 5000lm
	CRI		Standard/V8 = 83, Artist/V9 = 98
Control	Control Interface		No Dimming, 1~10V or DALI
	Fixture Connections		Mounted over J-box wire leads
Physical	Length x Width x Height		See drawings on pg. 1
	Frame		Anodized aluminum square tube frame
	Rated Operating Temperature		0°C to +40°C, 32°F to +104°F
	Rated Lifetime (L70 @ 23°C)		>50,000hrs L80
	Environment		Dry or damp locations
Certification & Safety	Compliance		ETL/QPS, CE, ROHS
	IEC Classification		Class 1 LED luminaire

These figures are subject to change due to further development and innovations.

Mechanical Drawings

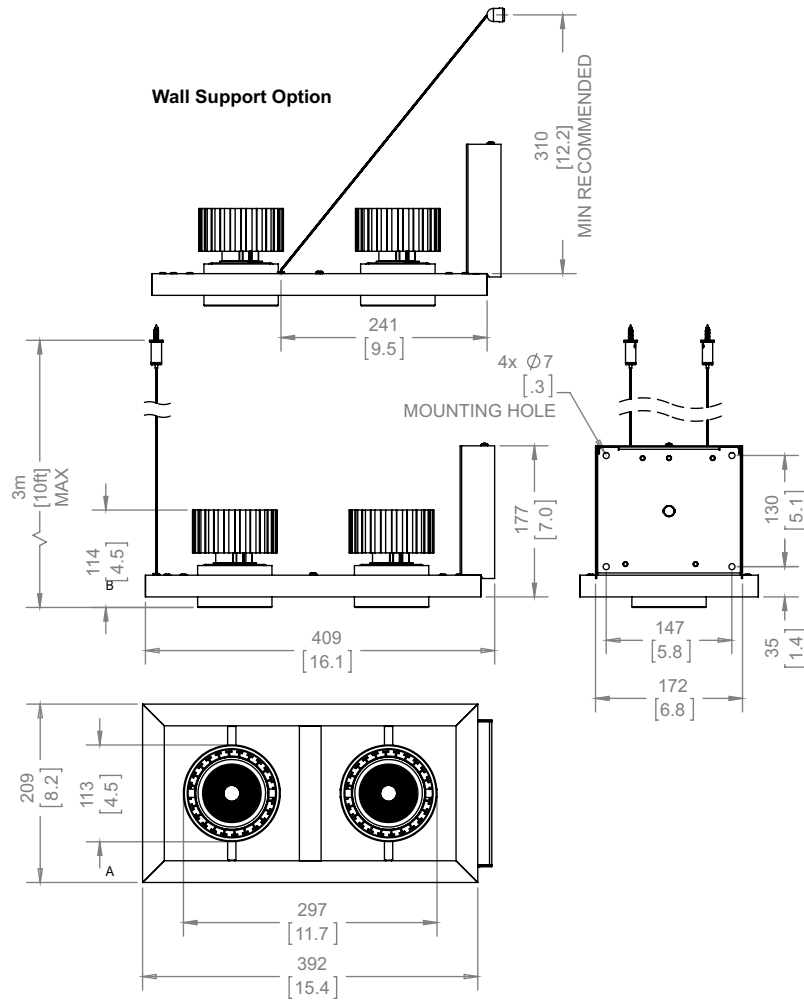
1x1 mm [in]



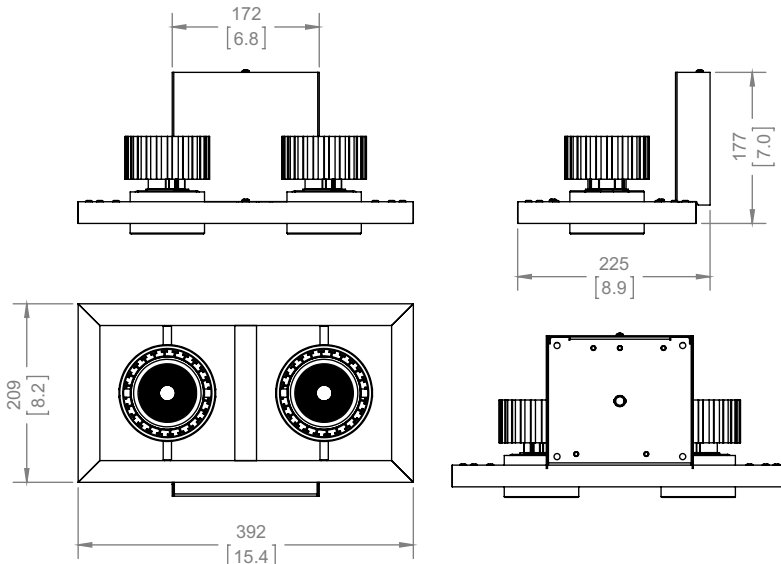
Product Specification Sheet

Mechanical Drawings

1x2 mm [in]



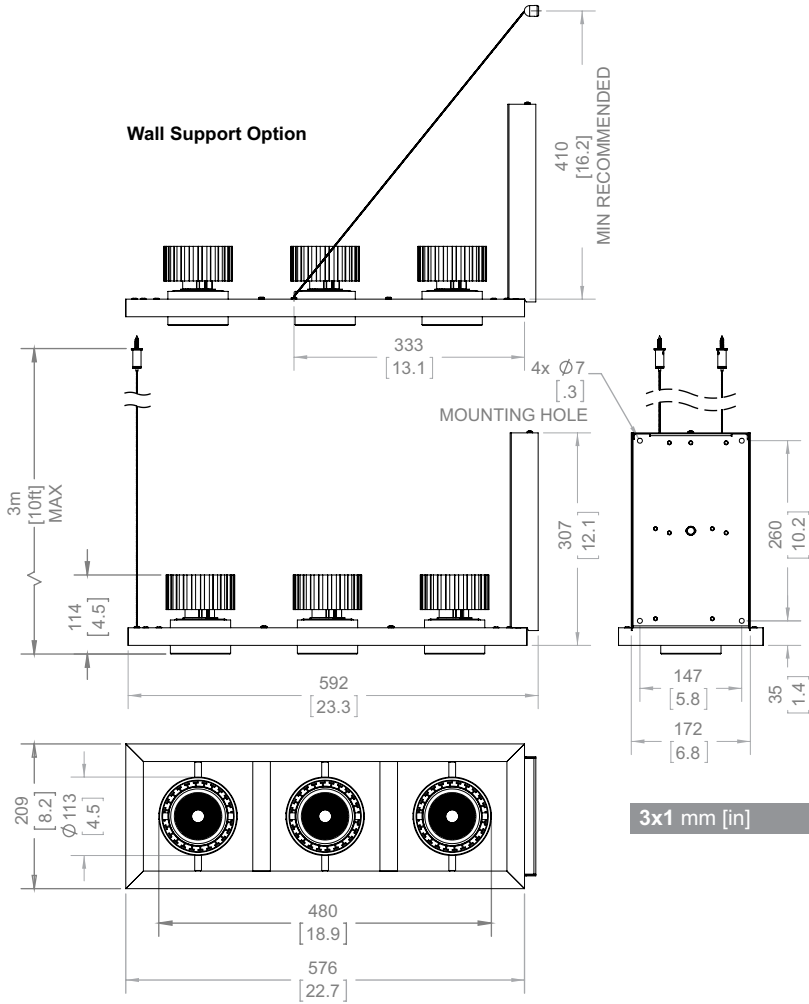
2x1 mm [in]



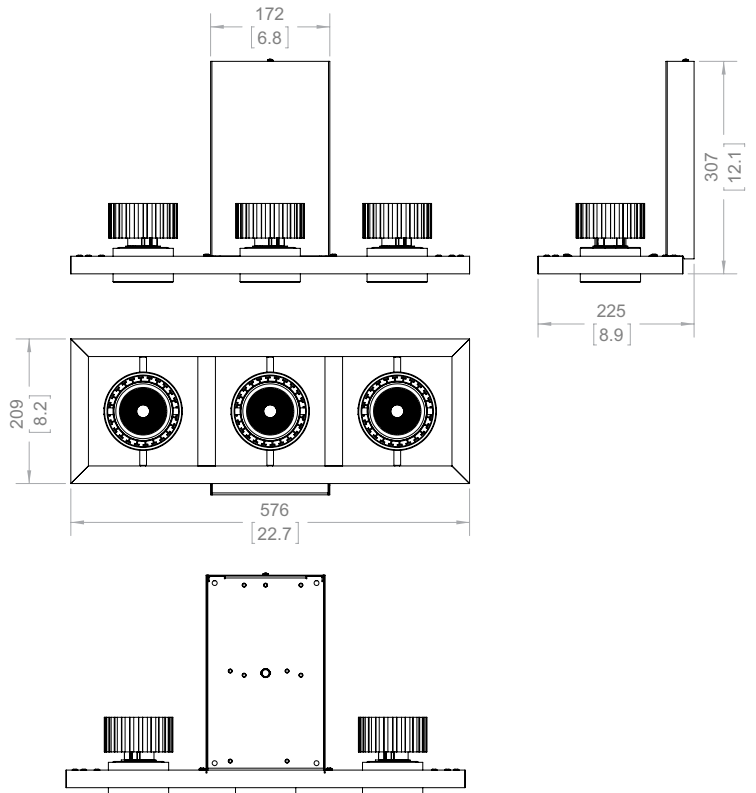
Product Specification Sheet

Mechanical Drawings

1x3 mm [in]



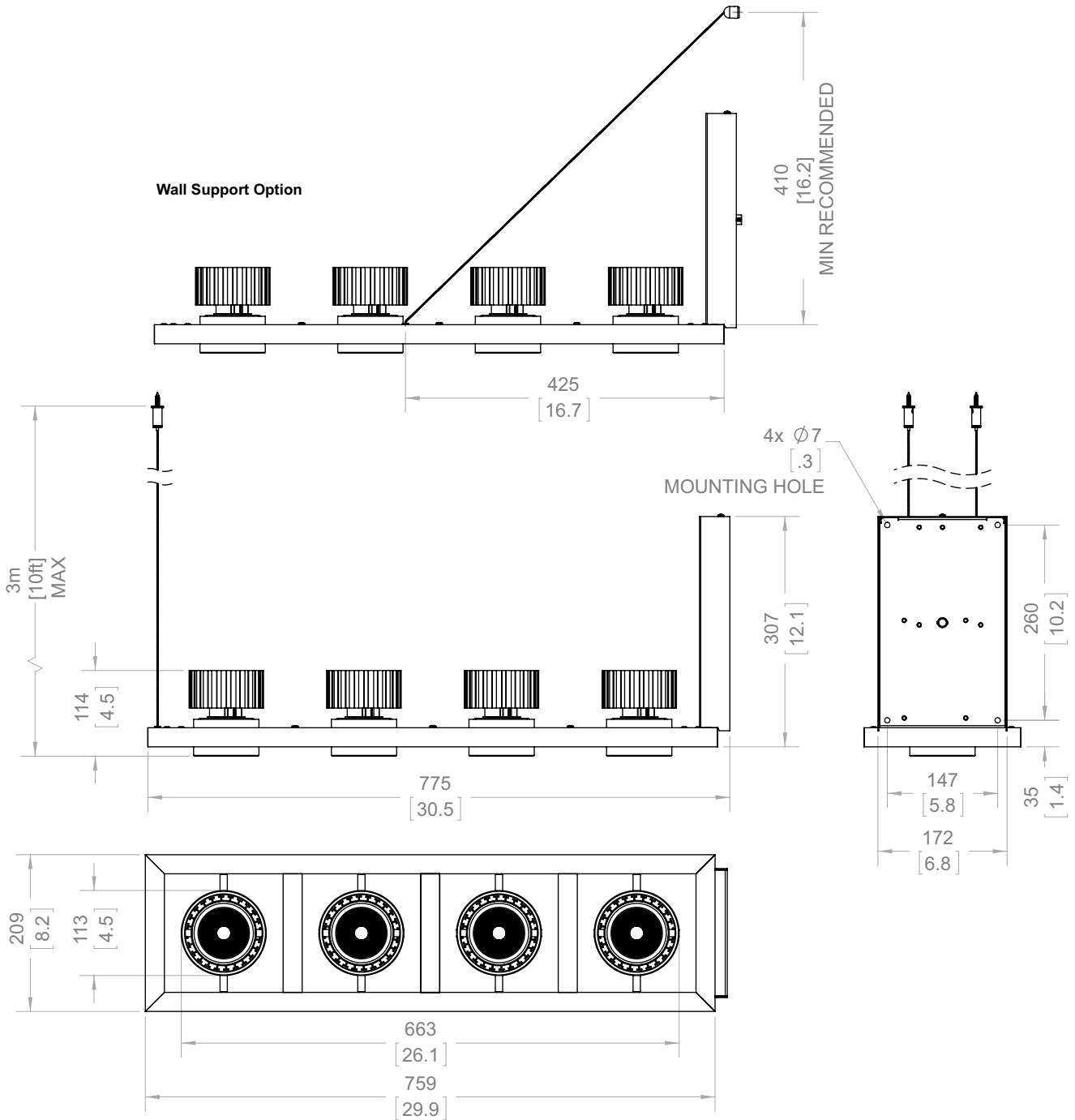
3x1 mm [in]



Product Specification Sheet

Mechanical Drawings

1x4 mm [in]



Product Specification Sheet

Mechanical Drawings

4x1 mm [in]

