

Project Name:	Type:
Part Number:	Date:

CDL 6" 18W COMMERCIAL DOWNLIGHT

SPECIFICATION FEATURES

- **Mechanical** - The CDL commercial downlight with external driver junction box retrofits existing commercial housings and is field accessible from below the ceiling. Three stainless steel friction clips allow for easy installation of aluminum reflector.
- **Electrical** - Universal 120-277V, 50/60Hz flicker free driver in external driver junction box dims to 5% using electrically isolated 0-10V circuit. Metal clad cable with quick connect wire harness for easy wiring installation.
- **Optical** - Self flanged spun aluminum reflector with white painted trim flange. High resistance polycarbonate optical lens, with smooth diffusion. 90° beam angle. LED emitters binned to 4 step SDCM and available 3000K, 3500K, and 4000K CCT. Minimum 80 CRI.
- **Thermal** - Die cast heat sink maximizes passive thermal management and achieves a L70 rated lifetime of 50,000 hours. Fixture Operating Temperature: -13°F to 95°F (-25°C to 35°C).
- **Compliance and Warranty** - cULus Classified for damp locations. For use under covered ceilings where not directly exposed to weather or water. 5 year parts warranty for complete fixture.



033021



BENEFITS

- Quick and easy installation - quick connectors and pre-wired conduit
- Fits existing architectural and commercial housing
- Universal 120-277V, 0-10V isolated dimmable driver
- Available in 3000K, 3500K & 4000K CCT

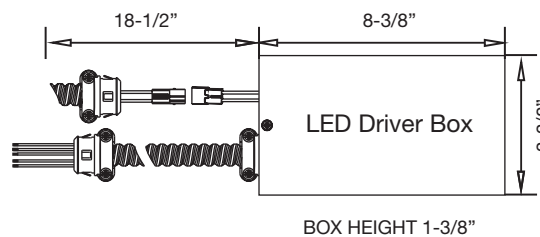
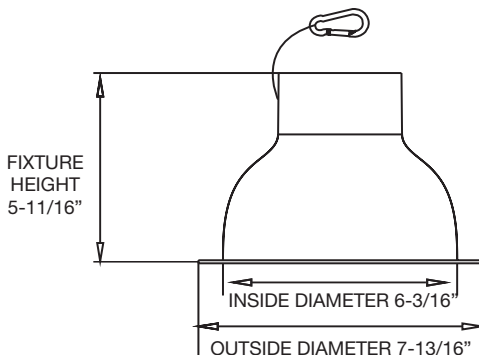
APPLICATIONS

- Commercial
- Architectural
- Retail
- Hospitality
- Educational

ORDERING INFORMATION

Series	Size	Dimming	CRI	CCT	Voltage	Option
<input checked="" type="checkbox"/> 18CDL Commercial Downlight 18W	<input checked="" type="checkbox"/> 6 6"	<input checked="" type="checkbox"/> DIM 0-10V Dimming	<input checked="" type="checkbox"/> 80 CRI 80	<input type="checkbox"/> 30 3000K	<input checked="" type="checkbox"/> 277V 120-277V Universal Voltage	<input type="checkbox"/> EM 10W Emergency Back-up
				<input type="checkbox"/> 35 3500K		<input type="checkbox"/> EM-CEC California Title 20 Compliant 10.7W Emergency Backup
				<input type="checkbox"/> 40 4000K		

LINE DRAWINGS



Ceiling Cutout	
Minimum	Maximum
Ø6-5/16"	Ø6-7/8"



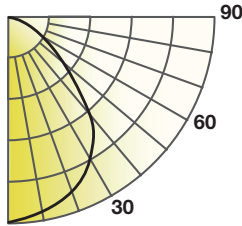
CDL 6" 18W COMMERCIAL DOWNLIGHT

TECHNICAL INFORMATION

Dimming	Input Voltage	Input Frequency	Input Current	Input Power	THD Power	Power Factor
0-10V	120-277V	50 / 60Hz	0.15A	18W	<20%	>0.9

PHOTOMETRY

18CDL6/DIM835/277V



Lumens: 1,647 lm
 CBCP: 852 cd
 Power: 18 W
 Efficacy: 88 lm/W
 CRI: 84
 Spacing Criteria: 1.2
 Beam Angle: 87°

Candlepower Distribution	
Angle (°)	Average (cd)
0	852
5	848
15	833
25	774
35	612
45	395
55	200
65	76
75	26
85	4
90	0

Initial Footcandles		
Height (ft)	Fc	Diameter (ft)
8	20	15
9	16	17
10	13	19
12	9	23
15	6	29

Zonal Lumen Summary		
Zone	Lumens	%Fixt
0-30	670	40
0-40	1,048	63
0-60	1,530	92
0-90	1,643	100

Performance Data 18CDL6/DIM8xx/277V			
CCT	3000K	3500K	4000K
Lumens	1,525	1,647	1,762
LPW	81	88	99

INSTALLATION

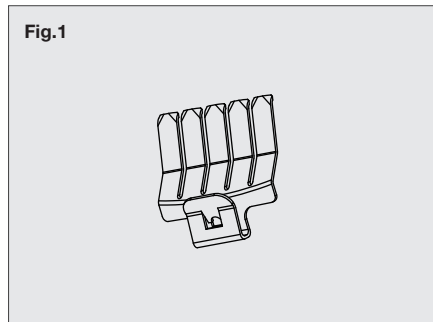


Fig.1 Stainless steel friction clips supplied with fixture.

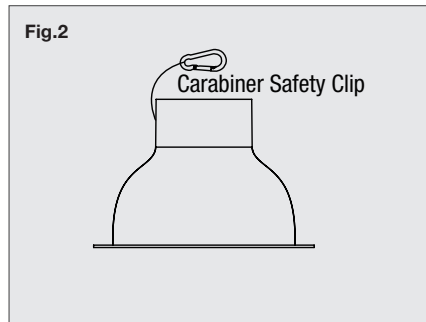


Fig.2 Attach safety clip to existing fixture or ceiling structure above.

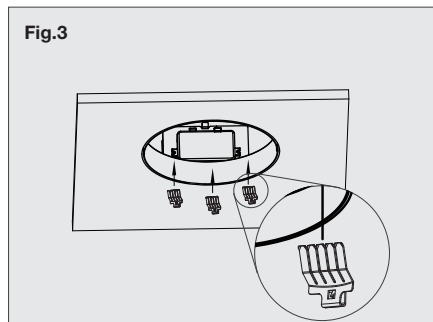


Fig.3 Slide the stainless steel friction clips onto the existing circular fixture collar, with the prongs of the clip facing the center of the fixture.

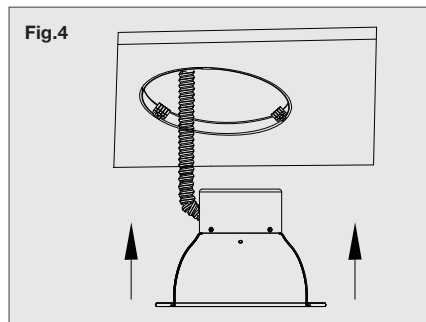


Fig.4 Insert the fixture into the housing, engaging the friction clips, until the fixture trim is flush with the ceiling.



CDL 6" 18W COMMERCIAL DOWNLIGHT

ORDERING GUIDE

Product	Model
35128	18CDL6DIM/830/277V
35129	18CDL6DIM/835/277V
35130	18CDL6DIM/840/277V

Note: All rights reserved. All sizes and specifications are subject to change at any time without notice.