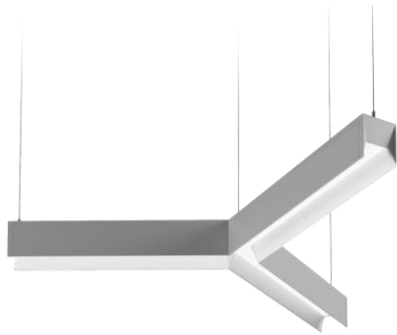


# N1 3L Spoke Pendant

## Suspended LED Ind / Direct Luminaire

For Ambient Lighting



### Finishes



### Fixture Options

Example N1B-4L-P-P-500-500-35K-010-M-1C-A4-W-G1-WH-04

Series	N1B	N1 Linear Indirect/Direct	N1B
	3L	3 Leg Pendant	
Optics Up	P N	Performance Optic None	
Optics Down	D P	Standard Diffuse Lens Performance Optic	
Light Level Up	375 500 750	375 Lumens per ft 500 Lumens per ft 750 Lumens per ft	
Light Level Down	375 500 750 1000	375 Lumens per ft 500 Lumens per ft 750 Lumens per ft 1000 Lumens per ft*	
Color	30K 35K 40K	3000K 3500K 4000K	
Integral Driver	010 STD	0-10 volt Dimming to 1% STD Switched Driver	
Power	M	120-277 Universal	
Circuits	1C 2C	Single Circuit 2 Circuit Up/Down	
Mounting	A4 A10	Aircraft Cable 4' Adjustable Aircraft Cable 10' Adjustable	
Mounting Color	W B	White Cords and Canopies (STD) Black Cords and Canopies	
Ceiling	G1 G9 GS ST	15/16" Grid Ceiling 9/16" Grid Ceiling Slot Grid Ceiling Drywall/Structure	
Finish	WH SM BK CC	Standard White Silver Metallic Black Texture Custom Color Finish	
Length	02 04	2' Legs 4' Legs	
Options		Consult Factory	

Project: \_\_\_\_\_  
 Cat#: \_\_\_\_\_  
 Type: \_\_\_\_\_  
 Notes: \_\_\_\_\_

### Product Description

N1 Suspended high performance indirect/direct Spoke Pendant LED Luminaire. Minimalist rectilinear profile with fully luminous regressed lens cavity and elegant knife edge trim. Performance Optics offer Bat Wing lower and upper optical distributions. Integral Driver allows for ease of installation. Available in 2' or 4' leg versions.

### Construction

The N1 housing is constructed out of extruded aluminum, die cast ends with die formed steel and aluminum components. Finished in standard white, silver, black or custom color powder coat finishes. Lenses are high light transmission UV stable acrylic. Mounting to grid or drywall ceiling via fully adjustable aircraft cables.

### Light Source

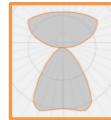
Light source comprised of mid power LEDs that are thermally engineered to ensure optimal efficacy's up to 125 lumens per watt and 80+ CRI. Luminaire light output guaranteed to achieve a minimum of 70% luminaire output over 100,000 hours at typical 25 deg. C operating conditions. LED components and luminaires are compliant with IESNA LM80.

### Certification and Warranty

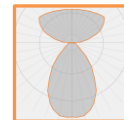
Luminaires carry a limited 5-year warranty and all luminaires are UL listed for indoor damp rated lighting applications.

### Performance

Optional Performance 'Bat Wing' Optics available for Up Light and Down Light Distributions.



**N1B-P-P-500-500-35K**  
 P-Performance Optics Up  
 P-Performance Optics Dn  
 50/50 Distribution



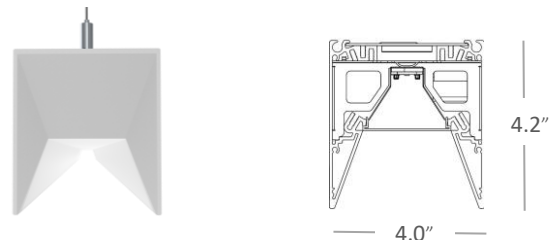
**N1B-P-D-500-500-35K**  
 P-Performance Optics Up  
 D-Diffuse Lens Dn  
 50/50 Distribution

### System Lumens (System Watts) for 4' Fixture

	Lumens Up		
Lumens Down	375 lm/ft	500 lm/ft	750 lm/ft
375 lm/ft	3081lm (24.3w)	3519lm (27.9w)	4491lm (36.1w)
500 lm/ft	3733lm (30.3w)	4171lm (33.3w)	5143lm (41.7w)
750 lm/ft	4660lm (39.1w)	5098lm (42.3w)	5478lm (44.4)
1000 lm/ft	5658lm (49.8w)	6096lm (53.0w)	

*Fixture Data for N1B-P-P-35K 4' Fixture, Reduce Lumens/Efficacy by 5% for Direct only Distribution. Lumens/Efficacy multiplier 0.97 for 3000K and 1.03 for 4000K. Test data may vary by +/- 5% Performance Show for Standard White Fixture*

### Dimensions



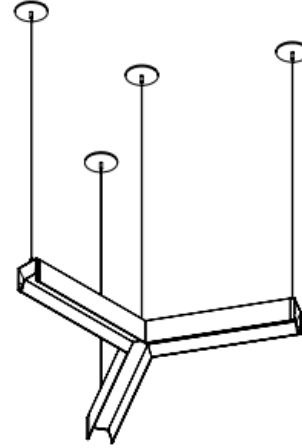
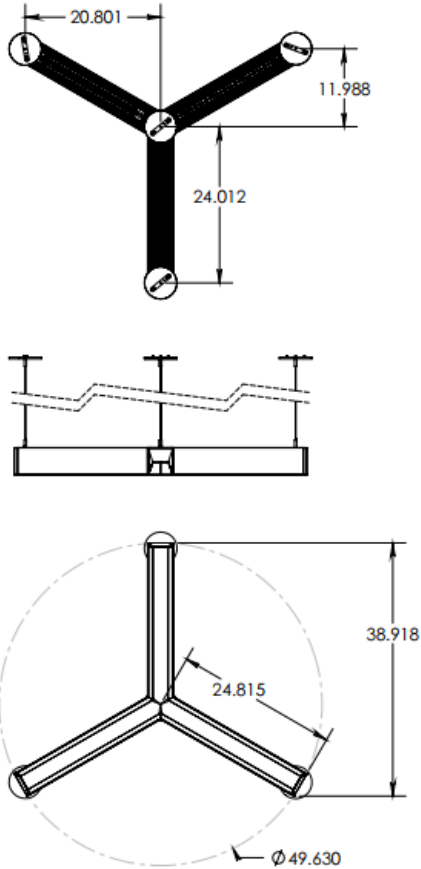
# N1 3L Spoke Pendant

Suspended LED Ind / Direct Luminaire

For Ambient Lighting

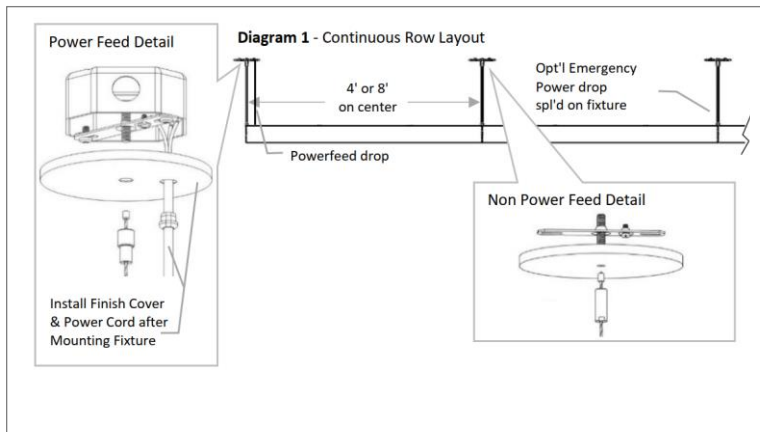
## Fixture Dimension

N1B3L-02



## Mounting

ST- Drywall / Structure



G1, G9, GS - Grid Ceiling

