

JOB NAME _____

CONTACT _____

ORDERING CODE _____

XICATO XTM MODULE - ORDERING CODE



E10 LED Canopy Spot Xicato

XICATO



Glass

PART NUMBER	137409	
LED	XTM19	XICATO XTM 19mm
DELIVERED LUMENS	10LM	840 lm
CCT	27K 30K 35K 40K	2700K 3000K 3500K 4000K
CRI	83 98	83 CRI 98 CRI
REFLECTOR	SA36 SA54 DA36 DA54	36° specular 54° specular 36° diffused 54° diffused
VOLTAGE	120 UNV	120V 120V-277V
DIMMING	10V ² ELV ¹	0-10V dimming to 10% 10% trailing edge dimming
FINISH	BK WH MC	black white matte chrome
MOUNTING OPTIONS	MP	monopoint canopy
STEM LENGTH	L6 L18	6" stem 18" stem
GLASS	GLASS ³	glass shade

ORDERING CODE _____

Follow the steps to specify your fixture, example:
137409 - XTM19 - 10LM - 30K - 83 - SA20 - 120 - ELV - MC - MP - L6

XTM19 (LED)	POWER	
	W (83 CRI)	W (98 CRI)
DELIVERED LM		
840	11	17

Power Factor ≥ 0.9

- NOTES**
1. ELV dimming only available in 120V.
 2. 0-10V dimming only available in UNV voltage and 98CRI.
 3. Glass shade not offered with reflector.

DESCRIPTION

The E10 LED Canopy Spot is an economical solution with a clean cylinder design. A 2" aperture with a 36° or 54° beam spread or a decorative opal cased glass shade with a 60° beam spread. E10 Canopy Spot carries the first 5 Year NO COLOR SHIFT AND FIXTURE WARRANTY.

HOUSING

Extruded aluminum housing with white, matte chrome or black finish

MOUNTING

Canopy over a 3-1/2" to 4" recessed octagonal junction box for MP mounting option

LISTINGS

- ETLus Listed to UL1598 (suitable for dry and damp locations)
- cETL Listed to CSA C22.2 #250.0
- Made in the USA - meets the requirements of the Buy American provision within the ARRA

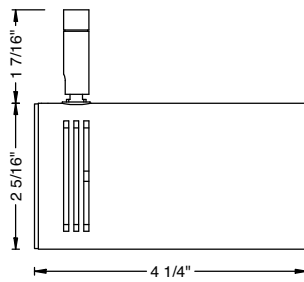
LED INFO

- XICATO XTM:
 SDCM = 1x2 MacAdam Ellipse, Duv +/- 0.001, Lumen Maintenance: L₉₀ > 55,000 hrs

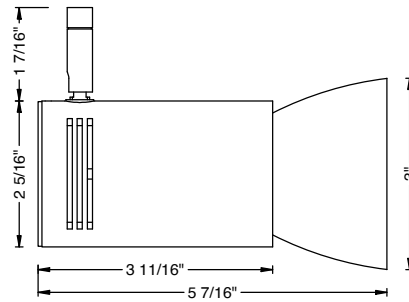
MOUNTING OPTIONS

Mounting Options

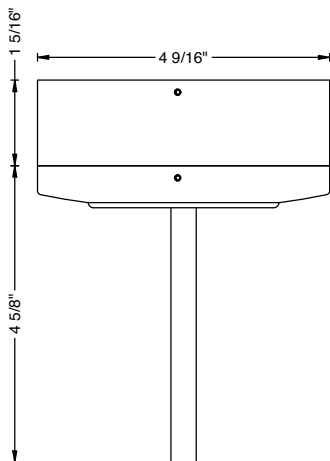
MP monopoint canopy



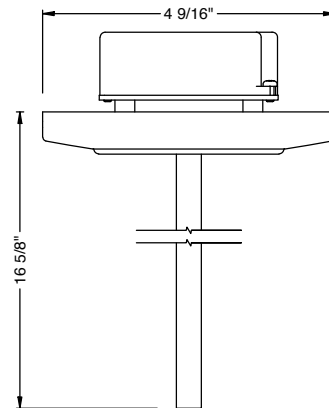
Standard



Glass Shade



10V with L6 mounting



ELV with L18 mounting