

JOB NAME \_\_\_\_\_

CONTACT \_\_\_\_\_

ORDERING CODE \_\_\_\_\_

## Z48 SMARTTrack Spot



### STANDARD COB - ORDERING CODE

<b>PART NUMBER</b>	350450											
<b>LED</b>	SW static white											
<b>DELIVERED LUMENS</b>	10LM	760 lm										
	13LM	970 lm										
	20LM	1520 lm										
	25LM	1880 lm										
	30LM	2270 lm										
<b>CCT</b>	27K	2700K		CCT		2700K	3000K	3500K	4000K	5000K		
	30K	3000K		CRI		80+	90+	80+	90+	80+	90+	
	35K	3500K		CCT MULTIPLIER FOR LUMEN OUTPUT		0.96	0.81	1.00	0.84	1.01	0.85	
	40K	4000K										
	50K	5000K										
		80	80 CRI									
		90	90 CRI									
	<b>REFLECTOR</b>	SSA30	30° semi-specular									
		SSA40	40° semi-specular									
		SSA60	60° semi-specular									
DA40		40° diffused										
DA50		50° diffused										
DA60		60° diffused										
WH70		70° brilliant white										
<b>DIMMING</b>	CASZ DIM10Z <sup>1</sup>	Casambi Bluetooth dim to zero 0-10V dim to zero										
<b>MOUNTING OPTIONS</b>	SMT	48V SMARTTrack										
<b>FINISH</b>	BK	black										
	WH	white										

ORDERING CODE \_\_\_\_\_

Follow the steps to specify your fixture, example:  
**350450 - SW - 10LM - 30K - 80 - SSA30 - WH - SMT - CAS**

SW (LED)	POWER
DELIVERED LM	W (80/90 CRI)
760	7
970	9
1520	15
1880	19
2270	20

Standby power draw<sup>2</sup> < 0.5W  
 0-10V current draw < 0.5mA

**NOTES**  
 1. Consult factory for compatible 0-10V dimmers.  
 2. Standby power draw is when luminaire is dimmed to off.

**DESCRIPTION**  
 The SMARTTrack Z48 Spot is available with multiple cutting-edge LED and control protocols, featuring optional LensVector beam shaping technology. Static White provides premium performance using efficient chip-on-board (COB) LED technology. XICATO XIM provides energy efficient light and industry best color consistency, with 2-step MacAdam ellipse 1x2 SDCM. SUNlike produces a spectrum that mimics natural sunlight for high quality light with Human Centric benefit and high EML ratios.

**HOUSING**  
 Extruded aluminum housing with black or white finish.

**MOUNTING**  
 - 48Vdc SMARTTrack systems

**ELECTRICAL/CONTROLS**  
 - 48Vdc input (+/- 5%)  
 - Flicker-free dimming using Bluetooth Low Energy (BLE) control (Casambi), or hard-wired control (0-10V or DALI)

**LISTINGS**  
 - ETLus Listed to UL1574 (track suitable for dry locations only)  
 - cETL Listed to CSA C22.2 #9.0

**LED INFO**  
 - Standard COB:  
 90 CRI: SDCM = 2-step MacAdam Ellipse, Lumen Maintenance: L<sub>70</sub> > 49,500 hrs  
 80 CRI: SDCM = 3-step MacAdam Ellipse, Lumen Maintenance: L<sub>70</sub> > 49,500 hrs  
 - XICATO XIM: SDCM = 1x2 MacAdam Ellipse, Duv +/- 0.001, Lumen Maintenance: L<sub>90</sub> > 55,000 hrs  
 - Seoul Semiconductor SUNlike Acrich MJT COB:  
 97 CRI: SDCM = 3-step MacAdam Ellipse, Lumen Maintenance: L<sub>70</sub> > 49,500 hrs

## XICATO INTELLIGENT MODULE - ORDERING CODES

<b>PART NUMBER</b>	350450	
<b>LED</b>	XIM	XICATO XIM
<b>DELIVERED LUMENS</b>	07LM 10LM 13LM 16LM	530 lm 730 lm 930 lm 1150 lm
<b>CCT</b>	27K 35K 40K 30K	2700K 3500K 4000K 3000K
<b>CRI</b>	83 98 <sup>1</sup>	83 CRI 98 CRI
<b>REFLECTOR</b>	SSA20 SSA40 SSA60 SA20 SA40 SA60 DA40 DA60 LV <sup>2,3</sup> LV <sup>2,3</sup> L10 <sup>3</sup>	20° semi-specular (1.00) 40° semi-specular (1.00) 60° semi-specular (1.00) 20° specular (1.00) 40° specular (1.00) 60° specular (1.00) 40° diffused (1.00) 60° diffused (1.00) LensVector beam control 10° to 55° (0.91) LensVector beam control 10° to 30° (0.91) 10° optical lens (1.04)
<b>DIMMING</b>	CASZ DIM10Z <sup>4</sup> DALIZ	Casambi Bluetooth dim to zero 0-10V dim to zero eldoLED flicker free DALI dimming to 0%
<b>MOUNTING OPTIONS</b>	SMT	48V SMARTTrack
<b>FINISH</b>	BK WH	black white

**ORDERING CODE**

Follow the steps to specify your fixture, example:  
**350450 - XIM - 10LM - 30K - 83 - LV - WH - SMT - CAS**

REFLECTOR TYPES SA, SSA, DA		
XIM (LED)	POWER	
	W (83 CRI)	W (98 CRI)
DELIVERED LM		
530	8	9
730	11	12
930	14	16
1150	18	N/A

REFLECTOR TYPES LV, L10		
XIM (LED)	POWER	
	W (83 CRI)	W (98 CRI)
DELIVERED LM		
480	11	12
660	15	18
850	19	N/A

Standby power draw<sup>5</sup> < 0.5W  
 0-10V current draw < 0.5mA

- NOTES**
- 98 CRI not available in every lumen option. Refer to power table.
  - LensVector only available with Casambi.
  - Use CAS ordering code with LensVector.
  - 16LM not available with LV, LV2 and L10 reflector.
  - Consult factory for compatible 0-10V dimmers.
  - Standby power draw is when luminaire is dimmed to off.

## SUNLIKE - ORDERING CODES

<b>PART NUMBER</b>	350450							
<b>LED</b>	SUN	SUNlike (Seoul Semiconductor)						
<b>DELIVERED LUMENS</b>	07LM	560 lm						
	10LM	780 lm						
	13LM	990 lm						
<b>CCT</b>	27K	2700K	<b>CCT</b>	2700K	3000K	3500K	4000K	5000K
	30K	3000K	<b>CCT MULTIPLIER FOR LUMEN OUTPUT</b>	0.96	1.00	1.03	1.08	1.14
	35K	3500K						
	40K	4000K						
	50K	5000K						
			<b>EML Ratio<sup>2</sup></b>	N/A	0.57	0.67	0.76	0.87
<b>CRI</b>	97	97 CRI						
<b>REFLECTOR</b>	SSA30	30° semi-specular						
	SSA40	40° semi-specular						
	SSA60	60° semi-specular						
	DA40	40° diffused						
	DA50	50° diffused						
	DA60	60° diffused						
	WH70	70° brilliant white						
<b>DIMMING</b>	CASZ DIM10Z <sup>1</sup>	Casambi Bluetooth dim to zero 0-10V dim to zero						
<b>MOUNTING OPTIONS</b>	SMT	48V SMARTTrack						
<b>FINISH</b>	BK	black						
	WH	white						

**ORDERING CODE**

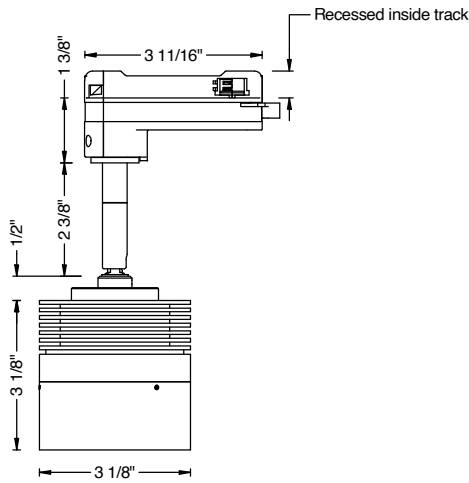
Follow the steps to specify your fixture, example:  
**350450 - SUN - 10LM - 30K - 97 - SSA30 - WH - SMT - CAS**

SUN (LED)	POWER
DELIVERED LM	W (97 CRI)
560	7
780	10
990	13

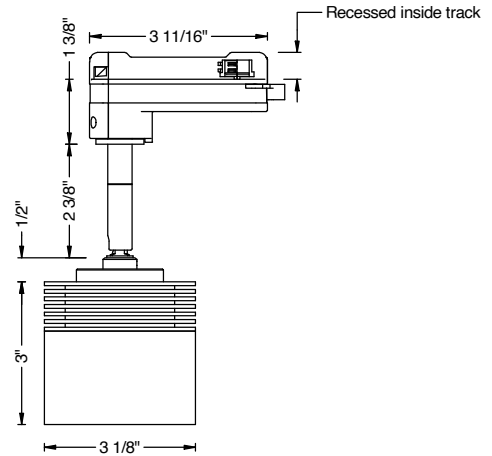
Standby power draw<sup>3</sup> < 0.5W  
 0-10V current draw < 0.5mA

- NOTES**
1. Consult factory for compatible 0-10V dimmers.
  2. EML = equivalent melanopic lux. To calculate EML, multiply the measured photopic lux by the EML ratio for the given CCT.  
 Example: 264 lux x 0.76 = 200 melanopic lux at 4000K.
  3. Standby power draw is when luminaire is dimmed to off.

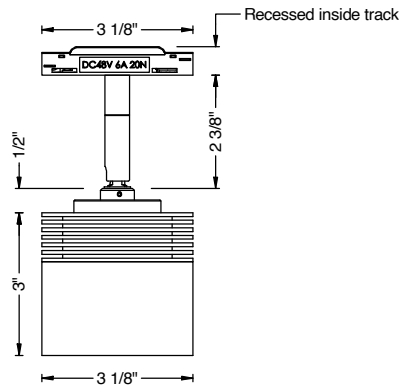
## MOUNTING OPTIONS



**SMART ADAPTER (CAS or only)**  
Z48 Spot with Lens Vector  
(available for Xicato XIM only)



**SMART ADAPTER**  
Z48 Spot without Lens Vector



**FLUSH ADAPTER**  
Z48 Spot without Lens Vector  
(available for Xicato XIM only)

## ACCESSORIES - ORDERING CODE

900300BK	snoot, black
900300WH	snoot, white
900310 <sup>2</sup>	louver, black
900305BK <sup>1</sup>	barn doors, black
900320 <sup>2</sup>	linear lens
900321 <sup>2</sup>	diffuser lens
900322 <sup>2</sup>	frosted lens



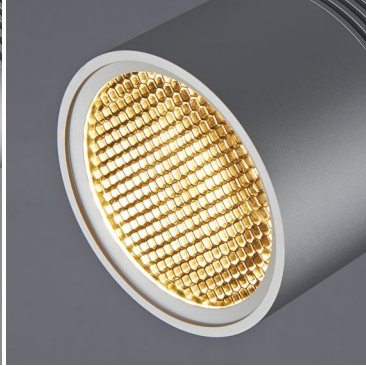
\* shown with no accessory

### NOTES

1. Barn Doors requires 900300 Snoot accessory.
2. Louver and Lens accessories not available for LV (Lens Vector) option.



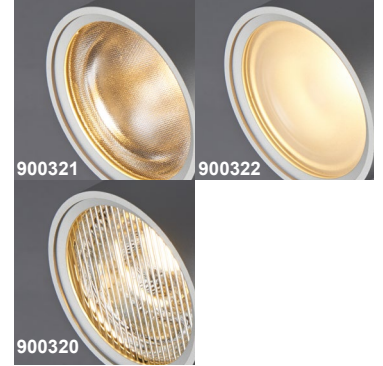
Snoot



Louver



Barn Doors



900321

900322

900320

Lens Options