



LED CANOPY



PRODUCT DESCRIPTION

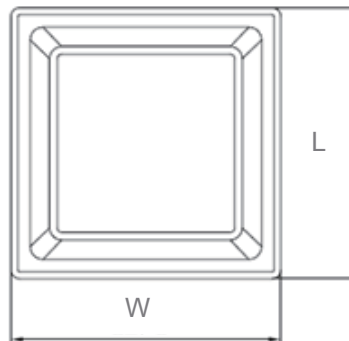
LED Canopy is designed to engineer light with 30 percent more light in 60 to 80 degree zonal region, and less than 25 percent light lost above the 70 to 80 degree plane. Heat and shock resistant. Energy Savings of as much as 90% than traditional lighting. Free of maintenance.

ELECTRICAL SYSTEM

- Input Voltage: 120-277V
- 50/60Hz
- Class II driver
- Minimum Ambient -40°C
- Power Factor: > 0.9 at full load
- Total Harmonic Distortion: < 20% at full load

SPECIFICATION

20W	38W, 52W, 70W
Depth: 8.85"	Depth: 9.06"
Width: 8.85"	Width: 12.4"
Length: 7.28"	Length: 12.4"
Max. Weight: 3.8 lbs	Max. Weight: 8.6 lbs



PERFORMANCE

CRI

>70

CCT

3000K, 4000K, 5000K

Dimming

1-10V dimming exclude 20W

Projected Lifetime

L70 - 250,000 Hours

Working Temperature

-40-104°F (-40-40°C)

Certifications

- cETLus Listed
- IP65 rated
- DLC qualified
- RoHS compliant
- Complies with 2013 California Title 24

Ordering Information

Example: ABBCAN40501

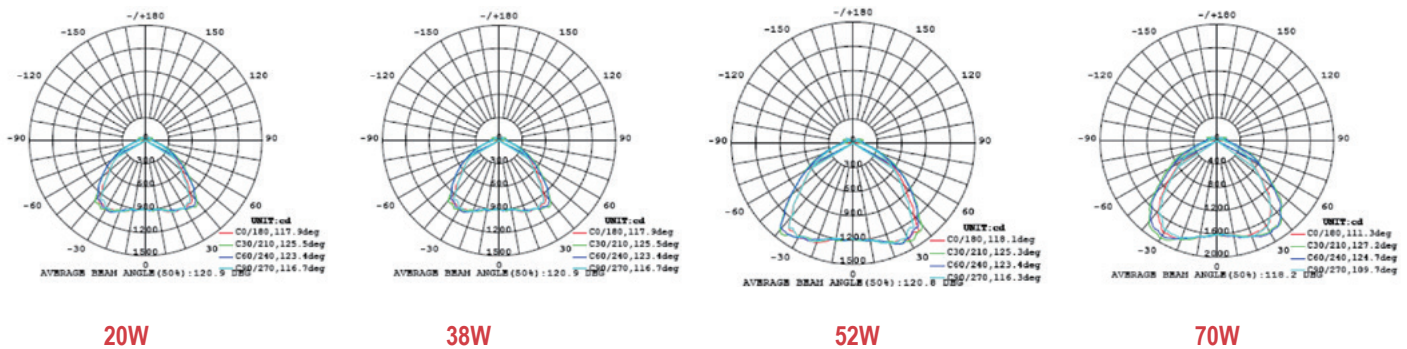
ABOVE ALL	CANOPY	Watts	CCT	Voltage	Controls
ABB	CAN	20 - 20 Watts¹	30 - 3000K²	1 - 120-277 V	PC12 - Photo control 120V
		40 - 38 Watts	40 - 4000K³		PC27 - Photo control 277V
		55 - 52 Watts	50 - 5000K⁴		Leave blank for no controls
		70 - 70 Watts			

Notice:

- 20 watts version is non-dimmable.
 - Only 20W 3000K qualified with DLC Premium.
 - Only 20W and 38W 4000K is qualified with DLC Premium.
 - 20W 5000K is DLC Premium listed. 38W, 52W and 70W are DLC standard listed.
- * Bronze finish is standard. Custom color is available for a premium setup fee. Consult customer service for additional information.

PHOTOMETRY

All published luminaire photometric testing performed to IESNA LM-79-08 standards by a NVLAP certified laboratory.



PERFORMANCE DATA

LUMEN OUTPUT

Lumen values are measured by third party certified laboratories performed in accordance with IESNA LM-79-08 as well as Lighting Facts listed.

Watts	Lumen Output	AC Input 120V	Measured Watts	CRI	CCT	LPW
20W	2732	0.19A	21	>70	5000	129
38W	4092	0.35A	35	>70	5000	118
52W	4849	0.48A	49	>70	5000	99
70W	6302	0.65A	66	>70	5000	96

Lumen Ambient Temperature (LAT) Multipliers

Use these factors to determine relative lumen output for average ambient temperature from -40-104°F (-40-40°C)

Ambient		Multiplier
Celsius	Fahrenheit	
0	32	1.02
10	50	1.01
20	68	1.00
25	77	1.00
30	86	1.00
40	104	0.99

Projected LED Lumen Maintenance

Data references the extrapolated performance projections for the LED Canopy fixtures in a 77°F ambient, (tested per IESNA LM-80-08 and projected per IESNA TM-21-11).

Operating Hours	0	25,000	50,000	100,000	250,000
Lumen Maintenance Factor	1.0	0.98(L98)	0.96(L96)	0.92(L92)	0.70(L70)

System Wattage	Max THD (%)	Power Factor	Power Efficiency	Replaces/ Equiv.(MH)
20W	20	>0.98	90%	100W
38W	20	>0.98	90%	150W
52W	20	>0.98	90%	175W
70W	20	>0.98	90%	250W

Warranty

Five year limited warranty. Full warranty terms located www.aboveallLighting.com/warrantystatements

Note:

Specifications subject to change without notice.