



CURVE MAGNETIC TRACK SYSTEM

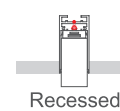
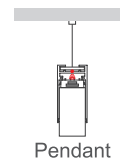
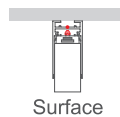


Thanks to the curvy series, the magnetic track system is more than just straight, become curvaceous. Full circle isn't the purpose, compare to realizing the lines in different and gorgeous shapes. Provided with different types and colors, curvy series works perfectly with straight profile to build up various scenes.

CURVE MAGNETIC TRACK PROFILE

GENERAL SPECIFICATION

Material	Aluminum
Color	RAL9004 Black/RAL 9003 White
Input Voltage	24Vdc
Input Current	8A Max



Ordering Information

Example: CMTS-11-24V-BK

Series	- Length	- Voltage	Installation	- Frame Finish
CMTS -Curve Magnetic Track Profile	11 - In circle	24V-24Vdc ¹	Need to order and ship separately²	BK -Black³
	12 - In 1/2 circle		PMK -Pendant Mount Kits	Optional
	14 - In 1/4 circle		SMK- Surface Mount Kits	WH -White³
	18 - In 1/8 circle		RMK- Recessed Mount Kits	

Notice:

1. Different mounting kits need to be bought separately. Please check the details in the following accessory list.
2. Black finish is standard. Custom color is available for a premium setup fee. Consult customer service for additional information.

* 24V constant voltage LED drivers can be chosen in the following driver list. The 24V constant voltage LED drivers also can be supplied by customer.

ACCESSORIES (ORDER AND SHIP SEPARATELY)

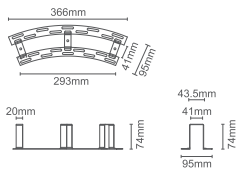
MOUNTING

Recessed kit

■ Sandy Black □ Sandy White



Recessed mounting kits for Curver magnetic track including one piece



CMTS-RM-BK

* The standard sell quantity is one piece per set.
 If for full circle track, 3 pieces recessed mounting kits are suggested.
 If for 1/2 curve track, 2 pieces recessed mounting kits are suggested.
 If for 1/4 and 1/8 curve track, 1 piece recessed mounting kits is suggested.

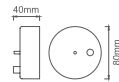
Pendant kit-A

■ Sandy Black □ Sandy White



MTS-PM-A-BK

Suspension 1.2meters with electrical wire (1 pc).



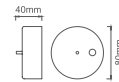
Pendant kit-B

■ Sandy Black □ Sandy White



MTS-PM-B-BK

Suspension 1.2meters(1pc).

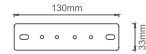


Track connector

■ Sandy Black □ Sandy White



Profile connection.

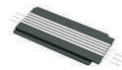


MTS-CNCT-BK

* The track connector must be worked together with power plate

Power plate 65mm

■ Sandy Black □ Sandy White



Electric connection, with 2 pins.



MTS-PP-65-BK

New surface mounted kits

■ Sandy Black □ Sandy White



MTS-SM-BK

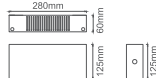
New surface mounted for magnetic track, includes 4pcs

Driver box

■ Sandy Black □ Sandy White



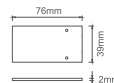
Empty box.



MTS-DBOX-BK

End cap

■ Sandy Black □ Sandy White



MTS-CAP-BK

Pin3

□ Sandy White



Pin connector for electric connection.

MTS-PIN3

CONSTANT VOLTAGE LED DRIVER LIST (ORDER AND SHIP SEPARATELY)

NON-DIMMABLE LED DRIVER

50W



XLG-50-24

50W, non-dimmable
 Size: 180x63x35.5mm
 input voltage: AC100-305V,
 output voltage: 24V DC

100W



XLG-100-24

100W, non-dimmable
 Size: 180x63x35.5mm
 input voltage: AC100-305V,
 output voltage: 24V DC

150W



XLG-150-24

150W, non-dimmable
 Size: 180x63x35.5mm
 input voltage: AC100-305V,
 output voltage: 24V DC

200W



XLG-200-24

200W, non-dimmable
 Size: 180x63x35.5mm
 input voltage: AC100-305V,
 output voltage: 24V DC

5 IN 1 DIMMABLE LED DRIVER

80W



KVG-24080-DWJ

80W, Triac/0-10V/1-10V/10V PWM
 Size: 220x93x41mm
 input voltage: 120-277V
 output voltage: 24V DC

100W



KVG-24100-DWJ

100W, Triac/0-10V/1-10V/10V PWM
 Size: 220x93x41mm
 input voltage: 120-277V
 output voltage: 24V DC

150W



KVG-24150-DWJ

150W, Triac/0-10V/1-10V/10V PWM
 Size: 260x103x46mm
 input voltage: 120-277V
 output voltage: 24V DC

200W



KVG-24200-DWJ

200W, Triac/0-10V/1-10V/10V PWM
 Size: 260x103x46mm
 input voltage: 120-277V
 output voltage: 24V DC

DALI INTELLIGENT LED DRIVER

100W

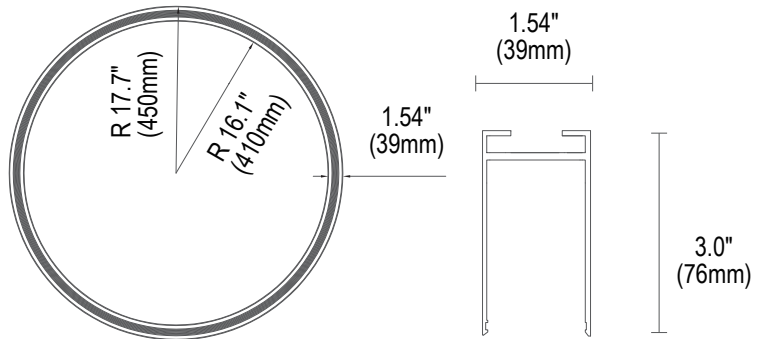


LM-100-24-G1D2

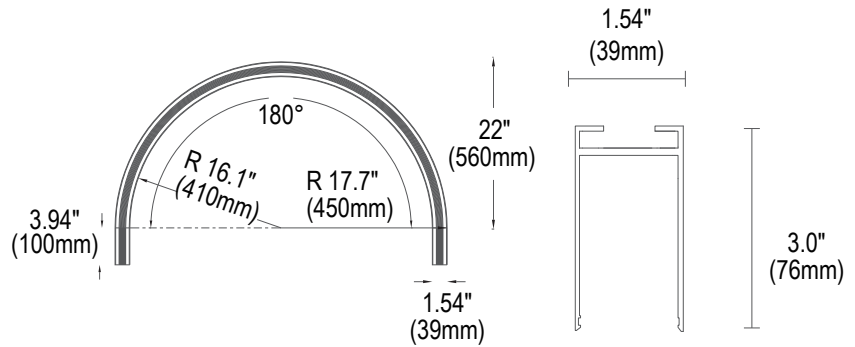
100W, DALI-2, Push DIM
 Size: 352x43x30mm(LxWxH)
 input voltage: AC120-277V,
 output voltage: 24V DC

DIMENSION

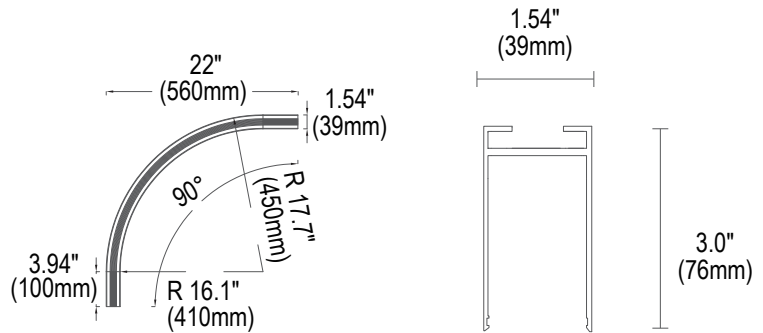
CURVE IN CIRCLE



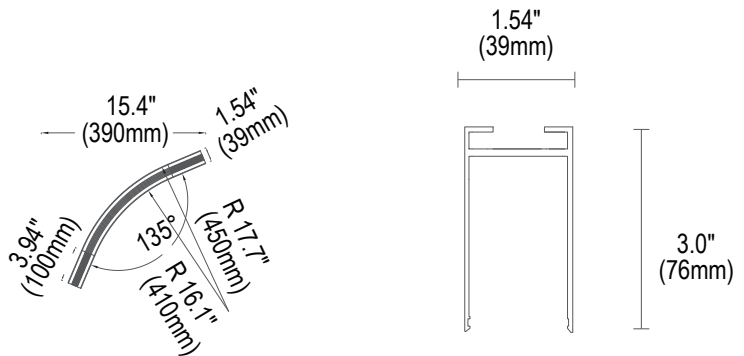
CURVE IN 1/2



CURVE 4/1



CURVE 8/1



INSTALLATION

Ref#: 20221013



Surface



Pendant



Recessed



Full



1/2



1/4



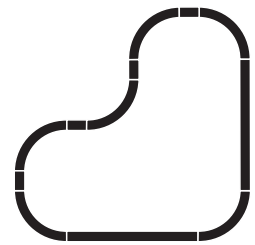
1/8



Creative design



Creative design



Creative design