

## MAG SERIES CURVE MAGNETIC TRACK SYSTEM

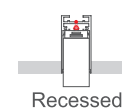
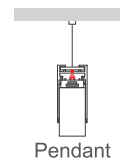
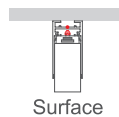


Thanks to the curvy series, the MAG magnetic track system is more than just straight, become curvaceous. Full circle isn't the purpose, compare to realizing the lines in different and gorgeous shapes. Provided with different types and colors, curvy series works perfectly with straight profile to build up various scenes.

### CURVE MAGNETIC TRACK PROFILE

#### GENERAL SPECIFICATION

|               |                              |
|---------------|------------------------------|
| Material      | Aluminum                     |
| Color         | RAL9004 Black/RAL 9003 White |
| Input Voltage | 24Vdc                        |
| Input Current | 8A Max                       |



#### Ordering Information

Example: CMTS-11-24V-BK

| Series                             | - Length           | - Voltage              | Installation   | - Frame Finish               |
|------------------------------------|--------------------|------------------------|--|------------------------------|
| CMTS -Curve Magnetic Track Profile | 11 - In circle     | 24V-24Vdc <sup>1</sup> | <b>Need to order and ship separately<sup>2</sup></b> | <b>BK -Black<sup>3</sup></b> |
|                                    | 12 - In 1/2 circle |                        | <b>PMK -Pendant Mount Kits</b>                       | Optional                     |
|                                    | 14 - In 1/4 circle |                        | <b>SMK- Surface Mount Kits</b>                       | <b>WH -White<sup>3</sup></b> |
|                                    | 18 - In 1/8 circle |                        | <b>RMK- Recessed Mount Kits</b>                      |                              |

Notice:

- 24V constant voltage LED drivers can be choosed in the following driver list. The 24V constant voltage LED drivers also can be supplied by customer.
- Different mounting kits need to be bought separately. Please check the details in the following accessory list.
- Black finish is standard. Custom color is available for a premium setup fee. Consult customer service for additional information.

\* If for special track diameter and size demand, please contact Customer Service.

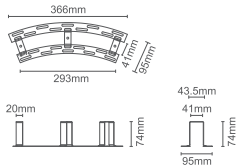
## ACCESSORIES (ORDER AND SHIP SEPARATELY)

### Recessed kit

■ Sandy Black    □ Sandy White



Recessed mounting kits for Curver magnetic track including one piece



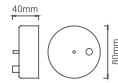
### Pendant kit-A

■ Sandy Black    □ Sandy White



MTS-PM-A-BK

Suspension 1.2meters with electrical wire (1 pc).



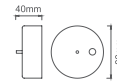
### Pendant kit-B

■ Sandy Black    □ Sandy White



MTS-PM-B-BK

Suspension 1.2meters(1pc).



### CMTS-RM-BK

\* The standard sell quantity is one piece per set.  
 If for full circle track, 3 pieces recessed mounting kits are suggested.  
 If for 1/2 curve track, 2 pieces recessed mounting kits are suggested.  
 If for 1/4 and 1/8 curve track, 1 piece recessed mounting kits is suggested.

### Surface Mount Kits

■ Sandy Black    □ Sandy White



MTS-SM-BK

Surface mounted for magnetic track, includes 4pcs

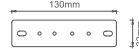
### Track connector

■ Sandy Black    □ Sandy White



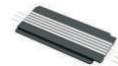
MTS-CNCT-BK

Profile connection.



### Power plate 65mm

■ Sandy Black    □ Sandy White



MTS-PP-65-BK

Electric connection, with 2 pins.



\* The track connector must be worked together with power plate

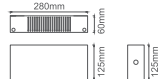
### Driver box

■ Sandy Black    □ Sandy White



MTS-DBOX-BK

Empty box.



## CONSTANT VOLTAGE LED DRIVER LIST (ORDER AND SHIP SEPARATELY)

### NON-DIMMABLE LED DRIVER

75W



**XLG-75-24-A**

75W, non-dimmable  
Size: 180x63x35.5mm  
input voltage: AC100-305V,  
output voltage: 24V DC

100W



**XLG-100-24-A**

100W, non-dimmable  
Size: 180x63x35.5mm  
input voltage: AC100-305V,  
output voltage: 24V DC

150W



**XLG-150-24-A**

150W, non-dimmable  
Size: 180x63x35.5mm  
input voltage: AC100-305V,  
output voltage: 24V DC

200W



**XLG-200-24-A**

200W, non-dimmable  
Size: 180x63x35.5mm  
input voltage: AC100-305V,  
output voltage: 24V DC

### 5 IN 1 DIMMABLE LED DRIVER

80W



**KVG-24080-DWJ**

80W, Triac/0-10V/1-10V/10V PWM  
Size: 220x93x41mm  
input voltage: 120-277V  
output voltage: 24V DC

100W



**KVG-24100-DWJ**

100W, Triac/0-10V/1-10V/10V PWM  
Size: 220x93x41mm  
input voltage: 120-277V  
output voltage: 24V DC

150W



**KVG-24150-DWJ**

150W, Triac/0-10V/1-10V/10V PWM  
Size: 260x103x46mm  
input voltage: 120-277V  
output voltage: 24V DC

200W



**KVG-24200-DWJ**

200W, Triac/0-10V/1-10V/10V PWM  
Size: 260x103x46mm  
input voltage: 120-277V  
output voltage: 24V DC

### DALI INTELLIGENT LED DRIVER

100W

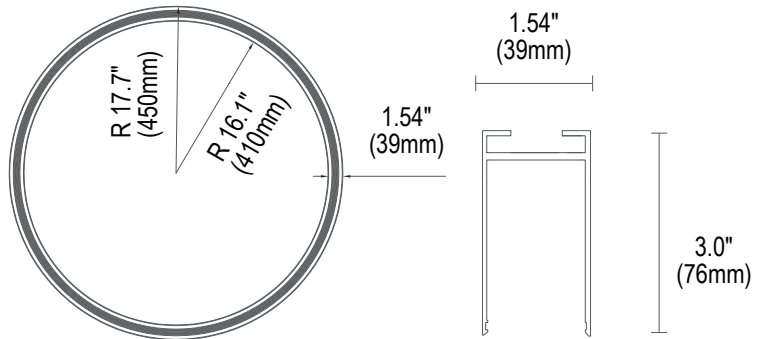


**LM-100-24-G1D2**

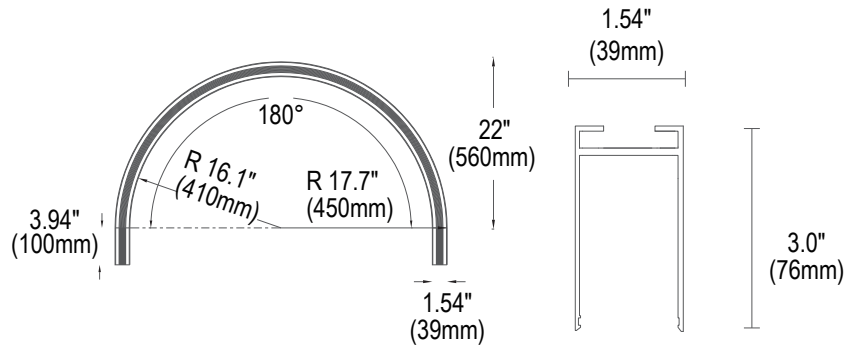
100W, DALI-2, Push DIM  
Size: 352x43x30mm(LxWxH)  
input voltage: AC120-277V,  
output voltage: 24V DC

## DIMENSION

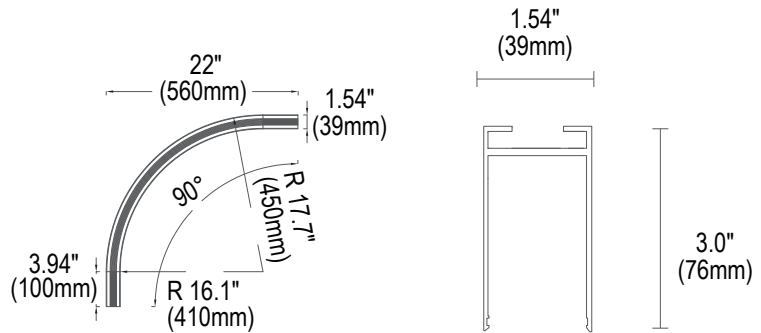
### CURVE IN CIRCLE



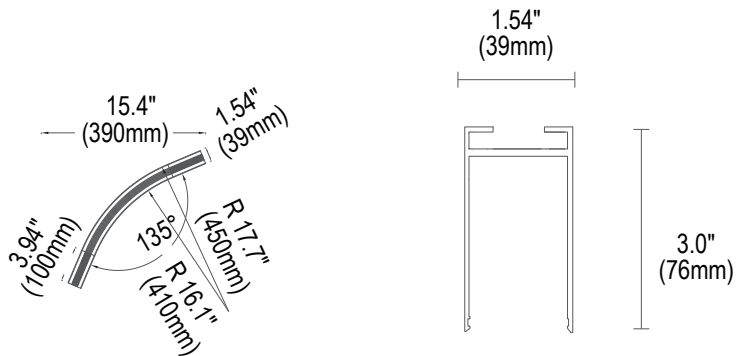
### CURVE IN 1/2



### CURVE 4/1



### CURVE 8/1



## INSTALLATION



Surface



Pendant



Recessed



Full



1/2



1/4



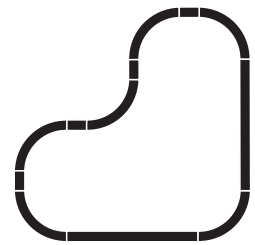
1/8



Creative design



Creative design



Creative design

# CURVE DOT SERIES MAGNETIC TRACK LIGHT

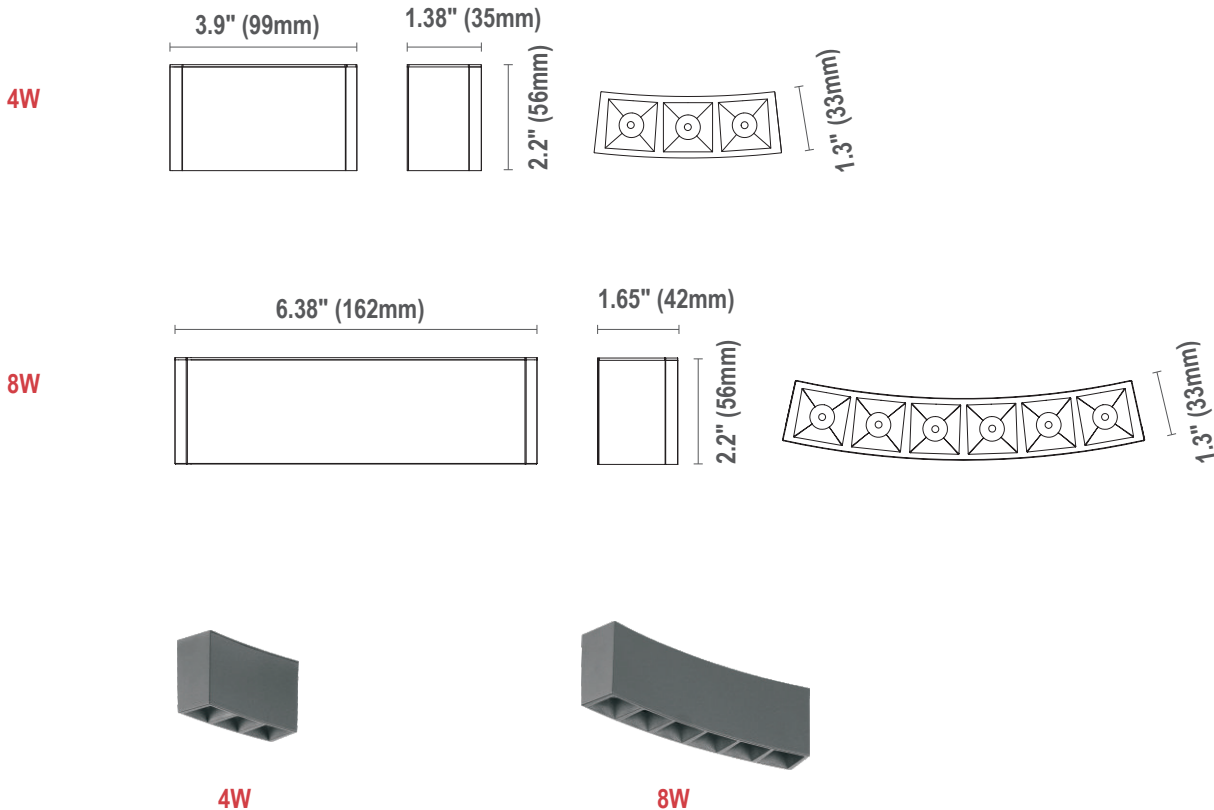
## GENERAL SPECIFICATION

The Curve dot series is ideal for spot lighting. This design features a deep antiglare spot lens that allows for multiple beam angles, and is available in different wattages and lengths with elegant clean body.

Beam angle: 12/34/48°  
 CCT: 2700K/3000K/4000K  
 CRI: RA90  
 DIM: Triac, 0/1-10V,  
 Installation: Magnetic  
 Environment: Indoor



## DIMENSION



## Ordering Information

Example: CDOT04-3090-24V-34-MTM-BK

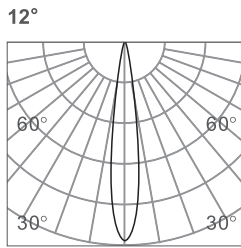
| Series | Watts          | - CCT&CRI         | - Voltage              | Beam Angle     | Installation               | - Finish               |
|--------|----------------|-------------------|------------------------|----------------|----------------------------|------------------------|
| CDOT   | 04 - 4W/ 3.9"  | 2790 - 2700K 90Ra | 24V-24Vdc <sup>1</sup> | 12 - 12 degree | MTM - Magnetic Track Mount | BK -Black <sup>2</sup> |
|        | 08 - 8W/ 6.38" | 3090 - 3000K 90Ra |                        | 34 - 34 degree |                            |                        |
|        |                | 4090 - 4000K 90Ra |                        | 48 - 48 degree |                            |                        |

### Notice:

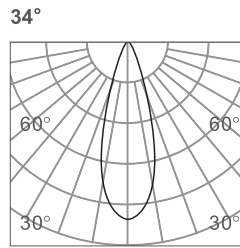
1. The fixture is used for 24V magnetic track system.
2. Standard Finish is black. Custom colors might be available for an additional fee. Please check with Customer Service for more information.

## PHOTOMETRY

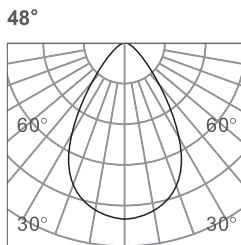
All published luminaire photometric testing performed to IESNA LM-79-08 standards by a NVLAP certified laboratory.



| h(m) | E(lx) | Φ(m)  |
|------|-------|-------|
| 1    | 3693  | Φ0.23 |
| 2    | 923   | Φ0.47 |
| 3    | 410   | Φ0.71 |
| 4    | 230   | Φ0.94 |
| 5    | 147   | Φ1.18 |



| h(m) | E(lx) | Φ(m)  |
|------|-------|-------|
| 1    | 1238  | Φ0.61 |
| 2    | 309   | Φ1.22 |
| 3    | 137   | Φ1.83 |
| 4    | 77    | Φ2.44 |
| 5    | 49    | Φ3.05 |



| h(m) | E(lx) | Φ(m)  |
|------|-------|-------|
| 1    | 778   | Φ0.91 |
| 2    | 194   | Φ1.82 |
| 3    | 86    | Φ2.73 |
| 4    | 48    | Φ3.64 |
| 5    | 31    | Φ4.55 |

## PERFORMANCE DATA

Lumen values are estimated with LED data sheet.

| Watts | Lumen Output | CRI | Beam Angle  | CCT   | LPW |
|-------|--------------|-----|-------------|-------|-----|
| 4     | 300          | 90  | 12°/34°/48° | 3000K | 95  |
| 8     | 640          | 90  | 12°/34°/48° | 3000K | 92  |

## CURVE LIN SERIES MAGNETIC TRACK LIGHT

### GENERAL SPECIFICATION

The Curve LIN series is a linear lighting solution designed to work with our Curve Magnetic Track System. It features a low glare diffused lens and is available in several different wattage/ length combinations all housed in an elegant body.

CCT: 2700K/3000K/4000K

CRI: RA90

Lens: Diffused

DIM: Triac,0/1-10V,

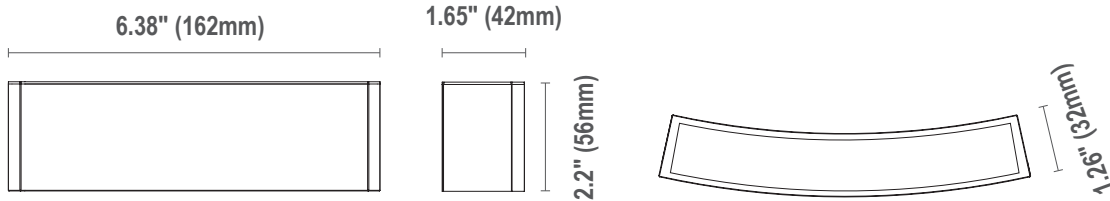
Installation: Magnetic

Environment: Indoor



### DIMENSION

7W



### Ordering Information

Example: CLIN04-3090-24V-DL-MTM-BK

| Series | Watts          | - CCT&CRI   | - Voltage              | Lens               | Installation               | - Finish               |
|--------|----------------|---|------------------------|--------------------|----------------------------|------------------------|
| CLIN   | 07 - 07W/6.38" | 2790 - 2700K 90Ra<br>3090 - 3000K 90Ra<br>4090 - 4000K 90Ra | 24V-24Vdc <sup>1</sup> | DL - Diffused Lens | MTM - Magnetic Track Mount | BK -Black <sup>2</sup> |

Notice:

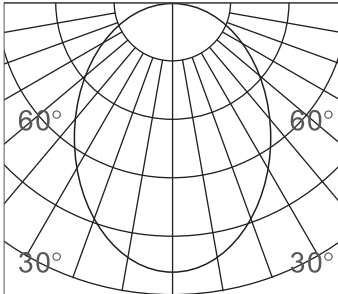
1. The fixture is used for 24V magnetic track system.
2. Standard Finish is black. Custom colors might be available for an additional fee. Please check with Customer Service for more information.



## PHOTOMETRY

All published luminaire photometric testing performed to IESNA LM-79-08 standards by a NVLAP certified laboratory.

### Diffuse



| h(m) | E(lx) | Φ(m)   |
|------|-------|--------|
| 1    | 105.5 | Φ2.60  |
| 2    | 26.3  | Φ5.20  |
| 3    | 11.7  | Φ7.80  |
| 4    | 6.5   | Φ10.40 |
| 5    | 4.2   | Φ13.00 |

## PERFORMANCE DATA

Lumen values are estimated with LED data sheet.

| Watts | Lumen Output | CRI | Lens     | CCT   | LPW |
|-------|--------------|-----|----------|-------|-----|
| 7     | 490          | 90  | Diffused | 3000K | 70  |

## CURVE CYLINDER SPOT

### GENERAL SPECIFICATION

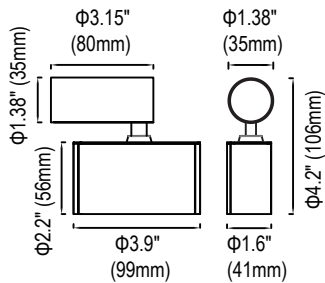
Two sizes with three different beam angles. Junction arm integrated in the spotlight's body to keep the barycentre aligned with the track. This junction arm allows 360° rotation in horizontal direction and 90° rotation in vertical direction.



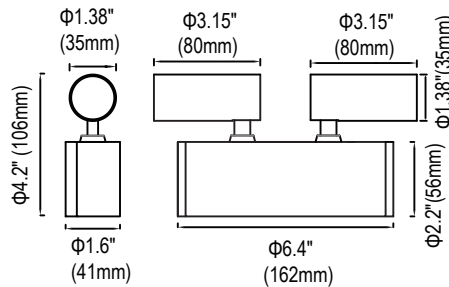
CCT: 2700K/3000K/4000K  
CRI: RA90  
DIM: Triac, 0/1-10V,  
Installation: Magnetic  
Environment: Indoor

### DIMENSION

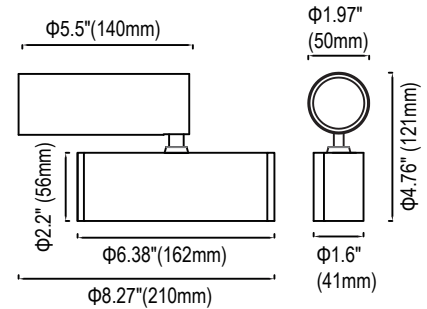
#### Small 5W



#### Small 2x5W



#### Medium 10W



### Ordering Information

Example: CCSS2X5-3090-24V-30-MTM-BK

| Series | Size       | Watts      | . CCT&CRI           | . Voltage                | Lens           | Installation               | - Finish                 |
|--------|------------|------------|---------------------|--------------------------|----------------|----------------------------|--------------------------|
| CCS    | S - Small  | 5 - 5W     | - 2790 - 2700K 90Ra | - 24V-24Vdc <sup>1</sup> | 20 - 20 degree | MTM - Magnetic Track Mount | - BK -Black <sup>2</sup> |
|        |            | 2X5 - 2X5W | 3090 - 3000K 90Ra   |                          | 30 - 30 degree |                            |                          |
|        |            |            | 4090 - 4000K 90Ra   |                          | 40 - 40 degree |                            |                          |
|        | M - Medium | 10 - 10W   |                     |                          | 18 - 18 degree |                            |                          |
|        |            |            |                     |                          | 24 - 24 degree |                            |                          |
|        |            |            |                     |                          | 36 - 36 degree |                            |                          |

Notice:

1. The fixture is used for 24V magnetic track system.
2. Standard Finish is black. Custom colors might be available for an additional fee. Please check with Customer Service for more information.

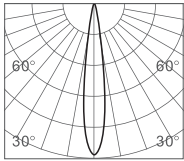

**Small Spot 5W**

**Small Spot 2X5W**

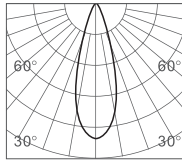
**Medium Spot 10W**

## PHOTOMETRY

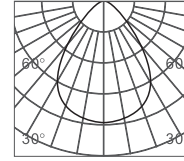
All published luminaire photometric testing performed to IESNA LM-79-08 standards by a NVLAP certified laboratory.

**20°**


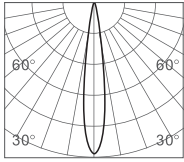
| h(m) | E(lx) | Φ(m)  |
|------|-------|-------|
| 2    | 563   | Φ0.69 |
| 3    | 250   | Φ1.03 |
| 3.5  | 183   | Φ1.20 |
| 4    | 140   | Φ1.38 |
| 5    | 90    | Φ1.55 |

**30°**


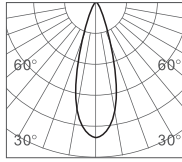
| h(m) | E(lx) | Φ(m)  |
|------|-------|-------|
| 1    | 2519  | Φ0.32 |
| 2    | 629   | Φ0.65 |
| 3    | 279   | Φ0.98 |
| 4    | 157   | Φ1.31 |
| 5    | 100   | Φ1.64 |

**40°**


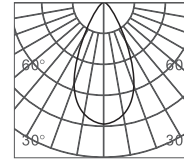
| h(m) | E(lx) | Φ(m)  |
|------|-------|-------|
| 2    | 278   | Φ0.96 |
| 3    | 124   | Φ1.44 |
| 3.5  | 91    | Φ1.68 |
| 4    | 69    | Φ1.92 |
| 5    | 44    | Φ2.40 |

**18°**


| h(m) | E(lx) | Φ(m)  |
|------|-------|-------|
| 1    | 3011  | Φ0.32 |
| 2    | 752   | Φ0.64 |
| 3    | 334   | Φ0.97 |
| 4    | 188   | Φ1.29 |
| 5    | 120   | Φ1.62 |

**24°**


| h(m) | E(lx) | Φ(m)  |
|------|-------|-------|
| 1    | 3857  | Φ0.40 |
| 2    | 964   | Φ0.81 |
| 3    | 428   | Φ1.22 |
| 4    | 241   | Φ1.62 |
| 5    | 154   | Φ2.03 |

**36°**


| h(m) | E(lx) | Φ(m)  |
|------|-------|-------|
| 1    | 2154  | Φ0.64 |
| 2    | 538   | Φ1.28 |
| 3    | 239   | Φ1.92 |
| 4    | 134   | Φ2.56 |
| 5    | 86    | Φ3.21 |

## PERFORMANCE DATA

Lumen values are estimated with LED data sheet.

| Watts | Lens      | Lumen Output | CRI | CCT   | LPW |
|-------|-----------|--------------|-----|-------|-----|
| 5     | 20/30/40° | 530          | 90  | 3000K | 106 |
| 2X5   | 20/30/40° | 1060         | 90  | 3000K | 106 |
| 10    | 18/24/36° | 680          | 90  | 3000K | 68  |

## CURVE ROUND SPOT

### GENERAL SPECIFICATION

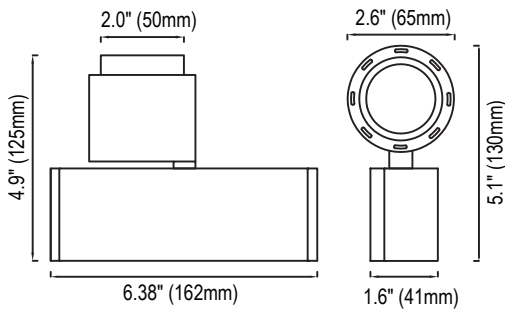
The Curve Round Spot series is available in two sizes and is designed to work with our Curve Magnetic Track System. The junction arm is integrated in the Spots body, keeping the body centered on the track while allowing for 360° rotation along the horizontal plane and 90° rotation along the vertical plane. The fixture is available in three beam angles.



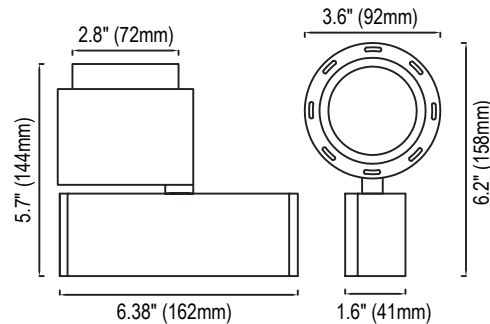
CCT: 2700K/3000K/4000K  
CRI: RA90  
DIM: Triac,0/1-10V,  
Installation: Magnetic  
Environment: Indoor

### DIMENSION

#### Small 8W



#### Large 15W



### Ordering Information

Example: CRSS08-3090-24V-30-MTM-BK

| Series | Size      | Watts    | - CCT&CRI          | - Voltage               | Lens           | Installation               | - Finish                 |
|--------|-----------|----------|--------------------|-------------------------|----------------|----------------------------|--------------------------|
| CRS    | S - Small | 08 - 8W  | -2790 - 2700K 90Ra | -24V-24Vdc <sup>1</sup> | 10 - 10 degree | MTM - Magnetic Track Mount | - BK -Black <sup>2</sup> |
|        |           |          | 3090 - 3000K 90Ra  |                         | 20 - 20 degree |                            | Optional                 |
|        | L - Large | 15 - 15W | 4090 - 4000K 90Ra  |                         | 30 - 30 degree |                            | WH -White <sup>2</sup>   |

Notice:

- The fixture is used for 24V magnetic track system.
- Standard Finish is black. Custom colors might be available for an additional fee. Please check with Customer Service for more information.



**Small Spot 8W**

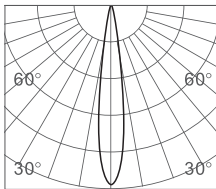


**Large Spot 15W**

## PHOTOMETRY

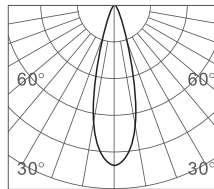
All published luminaire photometric testing performed to IESNA LM-79-08 standards by a NVLAP certified laboratory.

10°



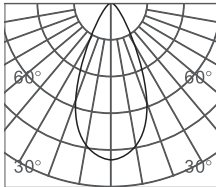
| h(m) | E(lx) | Φ(m)  |
|------|-------|-------|
| 2    | 4203  | Φ0.20 |
| 3    | 1051  | Φ0.40 |
| 3.5  | 467   | Φ0.61 |
| 4    | 262   | Φ0.81 |
| 5    | 168   | Φ1.02 |

20°



| h(m) | E(lx) | Φ(m)  |
|------|-------|-------|
| 1    | 2675  | Φ0.26 |
| 2    | 668   | Φ0.53 |
| 3    | 297   | Φ0.80 |
| 4    | 167   | Φ1.06 |
| 5    | 107   | Φ1.33 |

30°



| h(m) | E(lx) | Φ(m)  |
|------|-------|-------|
| 2    | 699   | Φ0.53 |
| 3    | 174   | Φ1.06 |
| 3.5  | 77    | Φ1.60 |
| 4    | 43    | Φ2.13 |
| 5    | 27    | Φ2.66 |

## PERFORMANCE DATA

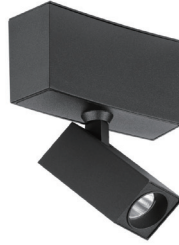
Lumen values are estimated with LED data sheet.

| Watts | Lens      | Lumen Output | CRI | CCT   |
|-------|-----------|--------------|-----|-------|
| 8     | 10/20/30° | 255          | 90  | 3000K |
| 15    | 10/20/30° | 485          | 90  | 3000K |

## CURVE SQUARE SPOT

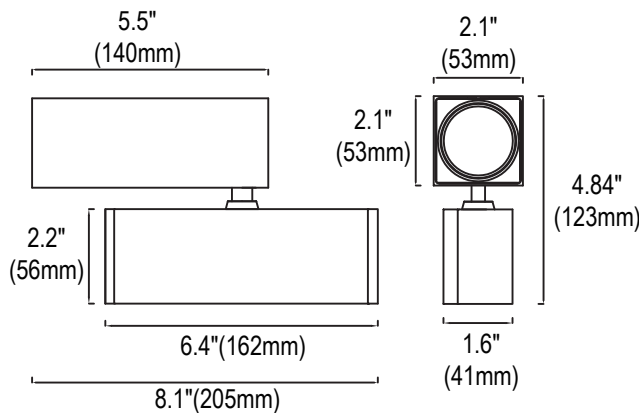
### GENERAL SPECIFICATION

Square shape with three different beam angles. The junction arm is integrated in the Spots body, keeping the body centered on the track while allowing for 360° rotation along the horizontal plane and 90° rotation along the vertical plane.



CCT: 2700K/3000K/4000K  
CRI: RA90  
DIM: Triac,0/1-10V,  
Installation: Magnetic  
Environment: Indoor

### DIMENSION



### Ordering Information

Example: CSQ10-3090-24V-24-MTM-BK

| Series | Watts    | - CCT&CRI           | - Voltage                | Lens           | Installation               | - Finish                 |
|--------|----------|---------------------|--------------------------|----------------|----------------------------|--------------------------|
| CSQ    | 10 - 10W | - 2790 - 2700K 90Ra | - 24V-24Vdc <sup>1</sup> | 18 - 18 degree | MTM - Magnetic Track Mount | - BK -Black <sup>2</sup> |
|        |          | 3090 - 3000K 90Ra   |                          | 24 - 24 degree |                            | Optional                 |
|        |          | 4090 - 4000K 90Ra   |                          | 36 - 36 degree |                            | WH -White <sup>2</sup>   |

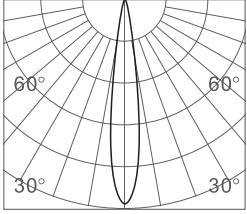
**Notice:**

1. The fixture is used for 24V magnetic track system.
2. Standard Finish is black. Custom colors might be available for an additional fee. Please check with Customer Service for more information.

## PHOTOMETRY

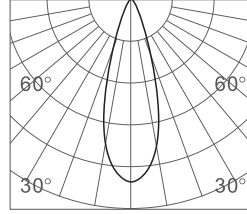
All published luminaire photometric testing performed to IESNA LM-79-08 standards by a NVLAP certified laboratory.

15°



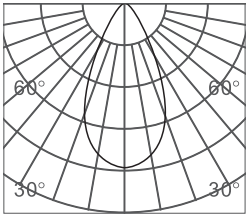
| h(m) | E(lx) | Φ(m)  |
|------|-------|-------|
| 1    | 3011  | Φ0.32 |
| 2    | 752   | Φ0.64 |
| 3    | 334   | Φ0.97 |
| 4    | 188   | Φ1.29 |
| 5    | 120   | Φ1.62 |

24°



| h(m) | E(lx) | Φ(m)  |
|------|-------|-------|
| 1    | 3857  | Φ0.40 |
| 2    | 964   | Φ0.81 |
| 3    | 428   | Φ1.22 |
| 4    | 241   | Φ1.62 |
| 5    | 154   | Φ2.03 |

36°



| h(m) | E(lx) | Φ(m)  |
|------|-------|-------|
| 1    | 2154  | Φ0.64 |
| 2    | 538   | Φ1.28 |
| 3    | 239   | Φ1.92 |
| 4    | 134   | Φ2.56 |
| 5    | 86    | Φ3.21 |

## PERFORMANCE DATA

Lumen values are estimated with LED data sheet.

| Watts | Lens      | Lumen Output | CRI | CCT   | LPW |
|-------|-----------|--------------|-----|-------|-----|
| 10    | 18/24/36° | 725          | 90  | 3000K | 72  |

## CURVE GLOWBALL

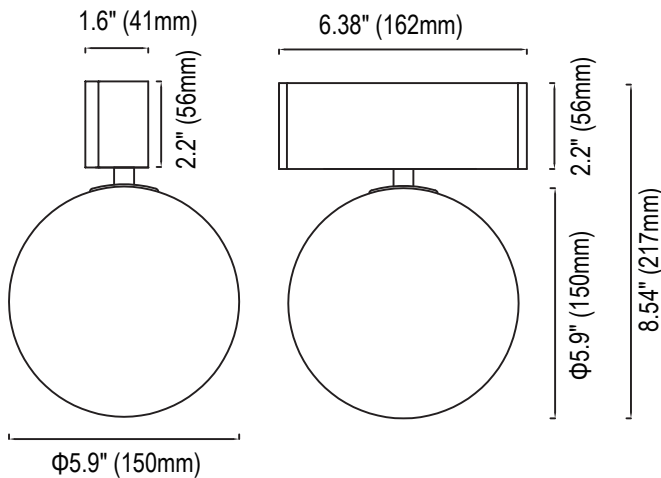
### GENERAL SPECIFICATION

Our Curve Glowball Series Magnetic Track Light is designed for decorative and general lighting. The diffuse spherical glass lens yields a smooth uniform light output, and the fixture is available as both a pendant or surface mounted to our 24V magnetic track system.



CCT: 2700K/3000K/4000K  
CRI: RA90  
DIM: Triac,0/1-10V,  
Installation: Magnetic  
Environment: Indoor

### DIMENSION



### Ordering Information

Example: CGBL05-3090-24V-PM-BK

| Series | Watts   | - CCT&CRI   | - Voltage                | Lens             | Installation                      | - Finish   |
|--------|---------|---|--------------------------|------------------|-----------------------------------|--|
| CGBL   | 05 - 5W | - 2790 - 2700K 90Ra<br>3090 - 3000K 90Ra<br>4090 - 4000K 90Ra | - 24V-24Vdc <sup>1</sup> | Blank - Diffused | SM - Surface Magnetic Track Mount | - BK -Black <sup>2</sup><br>Optional<br>WH -White <sup>2</sup> |

Notice:

1. The fixture is used for 24V magnetic track system.
2. Standard Finish is black. Custom colors might be available for an additional fee. Please check with Customer Service for more information.

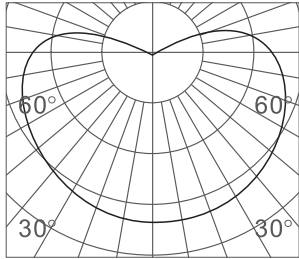


## PHOTOMETRY

All published luminaire photometric testing performed to IESNA LM-79-08 standards by a NVLAP certified laboratory.

2700K 80Ra

### Diffuse



| h(m) | E(lx) | Φ(m) |
|------|-------|------|
| 1    | 24    | Φ2   |
| 2    | 6     | Φ4   |
| 3    | 2     | Φ6   |
| 4    | 1     | Φ8   |
| 5    | 0.9   | Φ10  |

## PERFORMANCE DATA

Lumen values are estimated with LED data sheet.

| Watts | Lens     | Lumen Output | CRI | CCT   | LPW |
|-------|----------|--------------|-----|-------|-----|
| 5     | Diffused | 350          | 90  | 3000K | 70  |

## CURVE CYLINDER PENDANT

### GENERAL SPECIFICATION

Elegant body coating and antiglare cover. Thanks to the length adjustable cable, the magnetic pendant works smooth in different spaces. Comfortable lighting without glare. Minimal glare and multiple light beams.

CCT: 2700K/3000K/4000K

CRI: RA90

DIM: Triac, 0/1-10V,

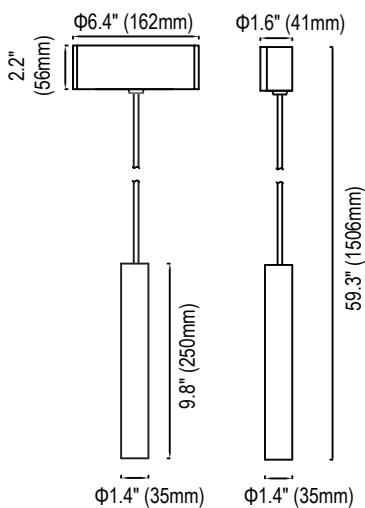
Installation: Magnetic

Environment: Indoor

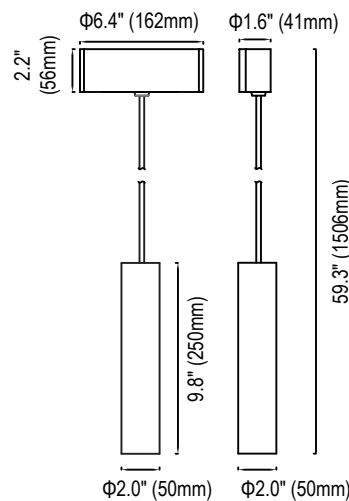


### DIMENSION

#### Small 5W



#### Large 10W



### Ordering Information

Example: CCYLP05-3090-24V-30-MTM-BK

| Series | Watts    | - CCT&CRI           | - Voltage                | Lens           | Installation                  | - Finish                 |
|--------|----------|---------------------|--------------------------|----------------|-------------------------------|--------------------------|
| CCYLP  | 05 - 5W  | - 2790 - 2700K 90Ra | - 24V-24Vdc <sup>1</sup> | 20 - 20 degree | MTM - Magnetic<br>Track Mount | - BK -Black <sup>2</sup> |
|        |          | 3090 - 3000K 90Ra   |                          | 30 - 30 degree |                               | Optional                 |
|        |          | 4090 - 4000K 90Ra   |                          | 40 - 40 degree |                               | WH -White <sup>2</sup>   |
|        | 10 - 10W |                     |                          | 18 - 18 degree |                               |                          |
|        |          |                     |                          | 24 - 24 degree |                               |                          |
|        |          |                     |                          | 36 - 36 degree |                               |                          |

#### Notice:

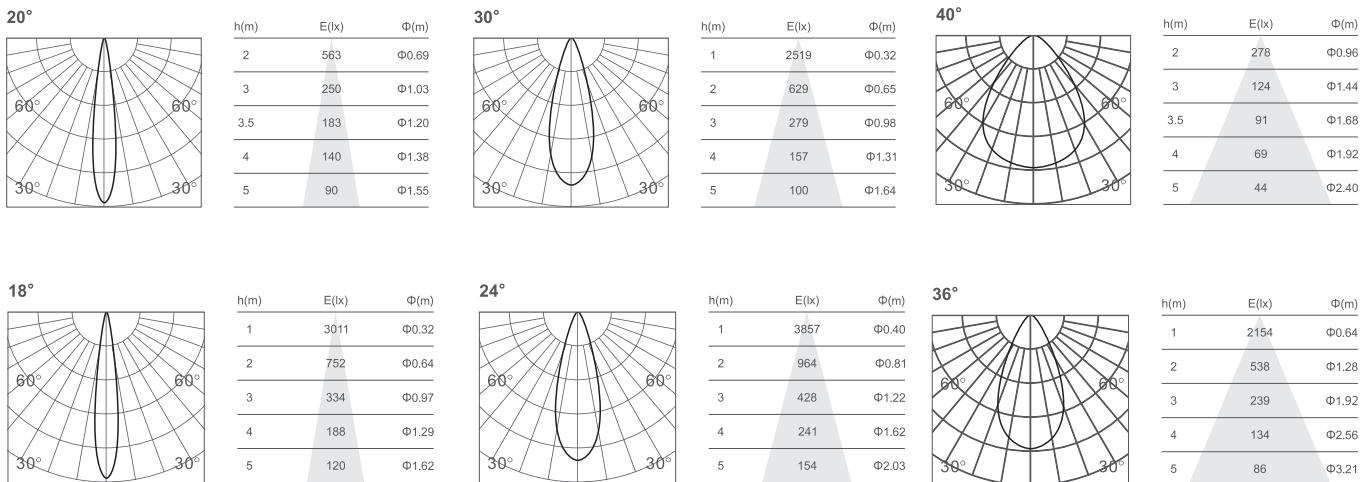
1. The fixture is used for 24V magnetic track system.
2. Standard Finish is black. Custom colors might be available for an additional fee. Please check with Customer Service for more information.

**Small 5W**

**Large 10W**


## PHOTOMETRY

All published luminaire photometric testing performed to IESNA LM-79-08 standards by a NVLAP certified laboratory.



## PERFORMANCE DATA

Lumen values are estimated with LED data sheet.

| Watts | Lens      | Lumen Output | CRI | CCT   | LPW |
|-------|-----------|--------------|-----|-------|-----|
| 5     | 20/30/40° | 530          | 90  | 3000K | 106 |
| 10    | 18/24/36° | 680          | 90  | 3000K | 68  |

## CURVE METEOR PENDANT

### GENERAL SPECIFICATION

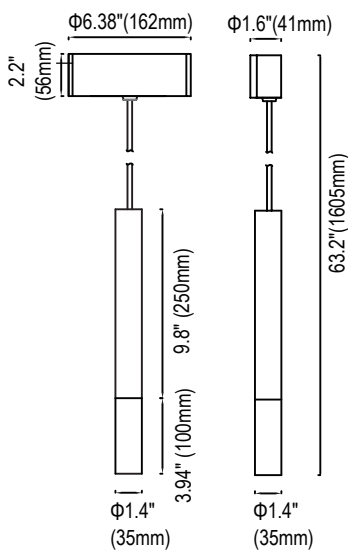
Not only for decoration, it's professional in atmosphere creation by precious light control. Thanks to the length adjustable cable, the magnetic pendant works smooth in different spaces. Comfortable lighting without glare.

CCT: 2700K/3000K/4000K  
CRI: RA90  
DIM: Triac, 0/1-10V,  
Installation: Magnetic  
Environment: Indoor

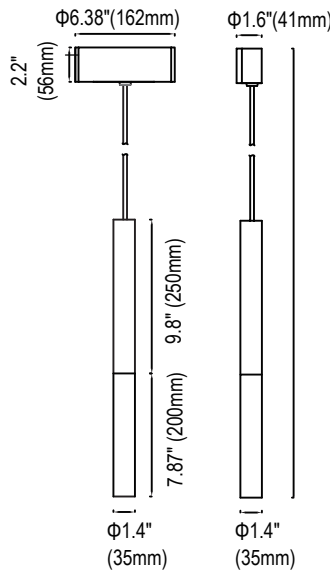


### DIMENSION

#### 4" Tube Length



#### 8" Tube Length



### Ordering Information

Example: CMET8-05-3090-24V-30-MTM-BK

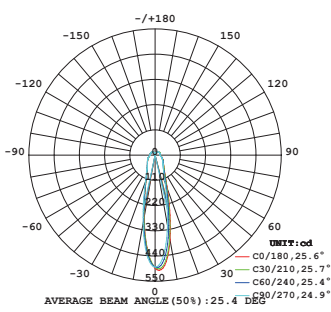
| Series | Tube Length      | -Watts  | - CCT&CRI   | - Voltage                | Lens          | Installation               | - Finish   |
|--------|------------------|---------|---|--------------------------|---------------|----------------------------|--|
| CMET   | 4 - 4"<br>8 - 8" | 05 - 5W | - 2790 - 2700K 90Ra<br>3090 - 3000K 90Ra<br>4090 - 4000K 90Ra | - 24V-24Vdc <sup>1</sup> | DL - Diffused | MTM - Magnetic Track Mount | - BK -Black <sup>2</sup><br>Optional<br>WH -White <sup>2</sup> |

Notice:

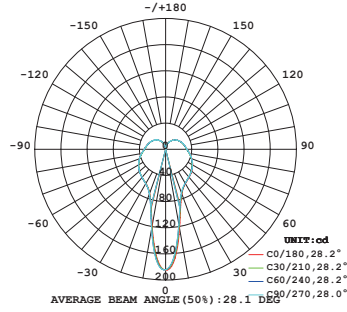
1. The fixture is used for 24V magnetic track system.
2. Standard Finish is black. Custom colors might be available for an additional fee. Please check with Customer Service for more information.

## PHOTOMETRY

All published luminaire photometric testing performed to IESNA LM-79-08 standards by a NVLAP certified laboratory.



**MET4**



**MET8**

## PERFORMANCE DATA

Lumen values are estimated with LED data sheet.

| Watts | Tube Length | Lumen Output | CRI | CCT   | LPW |
|-------|-------------|--------------|-----|-------|-----|
| 5     | 10cm        | 460          | 90  | 3000K | 92  |
| 5     | 20cm        | 460          | 90  | 3000K | 92  |