



DEEP FOCUS ROUND LIGHT



PRODUCT DESCRIPTION

The Deep Focus Round Light offers the FOCUS family more choices. Fixture comes in diameters from 11.8" through 23.6". Deep recessed light source design achieving perfect glare control. Flexible installations come in pendant and surface mounted. Direct and indirect lighting for option. The Deep Focus Light is perfect for both commercial and residential applications.

FEATURE

- Fixtures in diameters from 11.8" through 23.6"
- Deep recessed light source design
- Pendant or surface mounted
- Direct and indirect lighting for option

ELECTRICAL SYSTEM

- Input Voltage: 120-277V, 50/60Hz
- 0-10V Dimming standard
- Minimum Ambient -20°C, Maximum Ambient is 40°C
- Power Factor: > 0.9 at full load
- Total Harmonic Distortion: < 20% at full load

PERFORMANCE

CRI

90

CCT

3000K, 3500K, 4000K

Dimming

0-10V Dimming Standard

Projected Lifetime

L70 - 100,000 Hours

Working Temperature

-4-104°F (-20-40°C)

Certifications

- cETLus conforms to UL Std. 1598 Cert. to CSA Std. C22.2 No.250.0
- Suitable for damp locations
- RoHs compliant

Ordering Information

Example: DFRD24-40-40901-ACPMK

Series	Distribution	Diameter/Watts	CCT	CRI	Voltage	Installation	Controls	Finish
DFR	D - Direct	12-15 - 11.8"/15W	30 - 3000K	90- 90Ra ³	1-120-277V	ACPMK- Aircraft Cable Pendant Mount Kits	Blank-None	Blank-White
		16-20 - 15.7"/20W	40 - 4000K					Optional*
		19-25 - 18.9"/25W	50 - 5000K					BK -Black
		24-40 - 23.6"/40W						SL -Silver
	ID- Direct and Indirect	19-50 - 18.9"/50W				SMK- Surface Mount Kits		BU-Blue
		24-80 - 23.6"/80W						YE -Yellow
								GR-Green
								OR-Orange
								RD -Red

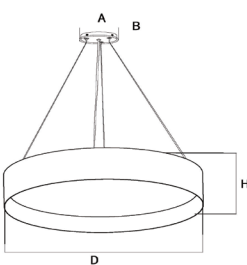
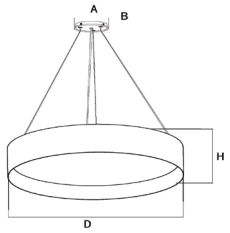
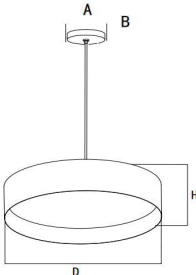
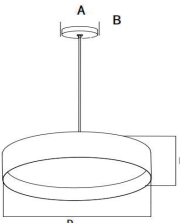
Notice:

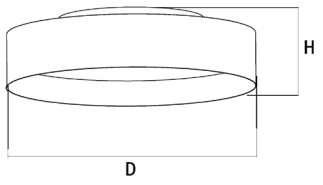
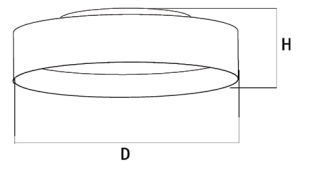
* Standard Finish is White. Optional and custom colors will be available for an additional fee. Please check with Customer Service for more information.

SPECIFICATION

Aircraft Cable and Wire Cord Length: 59"(1500mm)

Pendant Rod Length: 47.2"(1200mm)

Suspended - Down		Size			
	Model No.	DIMENSION			
		D	H	A	B
	15W	11.8"(D300mm)	4.0"(100mm)	10.0" (250mm)	1.38" (35mm)
	20W	15.7"(D400mm)	4.0"(100mm)	10.0" (250mm)	1.38" (35mm)
	25W	18.9"(D480mm)	4.0"(100mm)	10.0" (250mm)	1.38" (35mm)
40W	23.6"(D600mm)	4.0"(100mm)	10.0" (250mm)	1.38" (35mm)	
Suspended - Up and Down		Size			
	Model No.	DIMENSION			
		D	H	A	B
	50W	18.9"(D480mm)	4.0"(100mm)	10.0" (250mm)	1.38" (35mm)
80W	23.6"(D600mm)	4.0"(100mm)	10.0" (250mm)	1.38" (35mm)	
Stem - Down		Size			
	Model No.	DIMENSION			
		D	H	A	B
	15W	11.8"(D300mm)	4.0"(100mm)	5.0" (127mm)	1.4" (36mm)
	20W	15.7"(D400mm)	4.0"(100mm)	5.0" (127mm)	1.4" (36mm)
	25W	18.9"(D480mm)	4.0"(100mm)	5.0" (127mm)	1.4" (36mm)
40W	23.6"(D600mm)	4.0"(100mm)	5.0" (127mm)	1.4" (36mm)	
Stem - Up and Down		Size			
	Model No.	DIMENSION			
		D	H	A	B
	50W	18.9"(D480mm)	4.0"(100mm)	5.0" (127mm)	1.4" (36mm)
80W	23.6"(D600mm)	4.0"(100mm)	5.0" (127mm)	1.4" (36mm)	

Surface mounted - Down		Size	
	Model No.	DIMENSION	
		D	H
	15W	11.8"(D300mm)	5.3" (135mm)
	20W	15.7"(D400mm)	5.3" (135mm)
	25W	18.9"(D480mm)	5.3" (135mm)
40W	23.6"(D600mm)	5.3" (135mm)	
Surface mounted - Up and Down		Size	
	Model No.	DIMENSION	
		D	H
	50W	18.9"(D480mm)	5.3" (135mm)
80W	23.6"(D600mm)	5.3" (135mm)	

PERFORMANCE DATA

LUMEN OUTPUT

Lumen values are measured by third party certified laboratories performed in accordance with IESNA LM-79-08 as well as Lighting Facts listed.

Watts	Lumen Output	Size	AC Input 120V	CCT	LPW
15	1280	11.8"	0.13A	3000K	85
20	1700	15.7"	0.17A	3000K	85
25	2100	18.9"	0.21A	3000K	85
40	3400	23.6"	0.33A	3000K	85
50	4250	18.9"	0.42A	3000K	85
80	6800	23.6"	0.67A	3000K	85



Aircraft Cable Pendant Mount



Rod Pendant Mount



Surface Mount

Warranty

Five year limited warranty.

Specifications subject to change without notice.