



## HBG5 LED ROUND HIGH BAY



### PRODUCT DESCRIPTION

The HBG5 LED Round High Bay Light has pure aluminum heat sink enables the lumen efficacy higher with excellent thermal management in one-piece die-casting technology. It is an ideal replacement for Induction lamp, metal halide or HID lamp.

### FEATURE

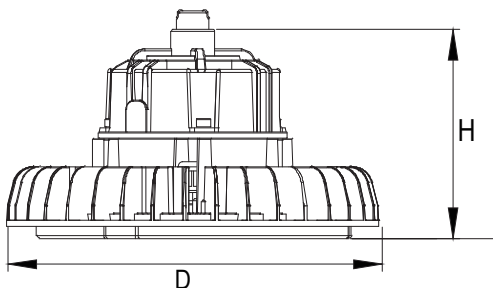
- Working temperature is up to 131°F (55°C)
- Compact die-casting aluminum body
- 60 and 90 degree reflector for option
- Microwave Motion Sensor available
- Tempered glass and polycarbonate lens

### ELECTRICAL SYSTEM

- Input Voltage: 120-277V, 50/60Hz
- Power Factor: > 0.9 at full load
- Total Harmonic Distortion: < 20% at full load
- Minimum Ambient -40°F  
maximum Ambient is 131°F

### SPECIFICATION

Diameter: 12.6"  
Height: 5.5"



### PERFORMANCE

CRI

80

CCT

4000K, 5000K

Dimming

1-10V Dimming Standard

Projected Lifetime

L70 - 50,000 Hours

Working Temperature

-40-131°F (-40-55°C)

Certifications

- cULus Listed
- IP65 rated
- IK08 rated
- RoHS compliant

## Ordering Information

## Example: HBG5-100501-WH

Series	- Watts	CCT	Voltage	- Controls	- Installation	- Distribution	- Lens	- Finish
HBG5	100 -100W	40 - 4000K	1 -120-277VAC	<b>Blank - No</b>	<b>Blank-Hook</b>	<b>Blank-120°</b>	<b>Blank - Glass</b> Clear Lens <sup>3</sup>	<b>WH-White</b>
	150 -150W	50 - 5000K		Controls				<b>BK -Black</b>
				Order and Shipped Separately <sup>1</sup>	Order and Shipped Separately <sup>1</sup>			
				MSW-JBOX	3/4" pendant adapter	HBG2-AL60 HBG2-AL90 HBG2-PC60	<b>PCL</b> -Polycarbonate Clear Lens <sup>3</sup>	
					Trunnion Mount Bracket		<b>PFL</b> -Polycarbonate Frosted lens <sup>3</sup>	

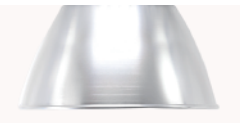
### Notice:

1. Hook is standard. If need 3/4" pendant adapter or trunnion mount bracket, please contact Customer Service.
2. Order and shipped separately as accessory. More details in the following accessory table.
3. Glass clear lens is standard. For PFL and PCL please ask Customer Service for MOQ and lead time.

\* Fixture comes with a 10" cord. If a longer cord is required, please contact Customer Service.

\* Custom finish colors might be available for an additional fee. Please check with Customer Service for more information.

## Accessories (Ordered separately)



60 degree  
aluminum reflector

90 degree  
aluminum reflector



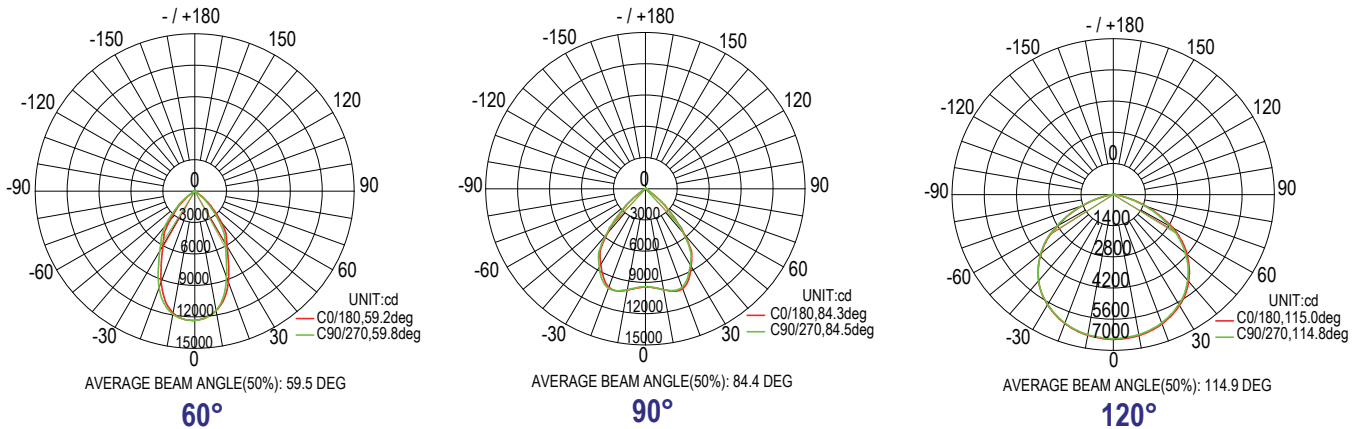
60 degree  
polycarbonate reflector



Microwave motion sensor  
with junction box

## PHOTOMETRY

All published luminaire photometric testing performed to IESNA LM-79-08 standards by a NVLAP certified laboratory.



## PERFORMANCE DATA

### LUMEN OUTPUT

Lumen values are measured by third party certified laboratories performed in accordance with IESNA LM-79-08 as well as Lighting Facts listed.

Watts	Lumen Output	AC Input 120V	CRI	CCT	LPW
100W	13000	0.83A	>80	5000K	<b>130</b>
150W	20000	1.25A	>80	5000K	<b>130</b>

## MOTION SENSOR

### Motion Sensor (MS) Option

1. Microwave Motion Sensor
2. 3 Step dimming function, 100% --Low Light--off
3. Wide detection area, range up to 16m (52.4ft) in diameter and mounting height 15m(49.2ft) max

#### Notes:

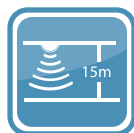
To guarantee normal operation, the recommended mounting height is 12m (40ft) Max.



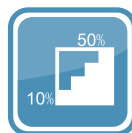
Max.8M (26.2ft)



Hold Time  
5s~30min



Mounting Height  
15m Max.  
(49.2ft)



Automatic  
Dimming

## MSW DIP SWITCH SETTING

By selecting the combination on the DIP switch, sensor data can be precisely set for each specific application. The sensor can not be installed in the room of long-time vibration because the vibration signal will be regarded as the moving signal to trigger sensor.

ON		1	
I	ON	100%	
II	-	50%	

### Detection area

Detection area can be reduced by selecting the combination on the DIP switches to fit precisely each application.

**Factory Setting: 100%**

	2	3	4	
I	ON	ON	ON	5s
II	-	ON	ON	30s
III	ON	-	ON	90s
IV	-	-	ON	3min
V	ON	ON	-	20min
VI	-	-	-	30min

### Hold time

Refers to the time period the lamp remains at 100% illumination after no motion detected.

**Factory Setting: 3min**

	5	6	7	
I	ON	ON	ON	+∞
II	-	ON	ON	60min
III	ON	-	ON	30min
IV	-	-	ON	10min
V	ON	ON	-	5min
VI	-	-	-	5s

### Stand-by period

Refers to the time period the lamp remains at a low light level before it completely switches off in the long absence of people. When set to Disable mode, the low light is maintained until motion is detected.

**Factory Setting: 10min**

	8	9	
I	ON	ON	50%
II	-	ON	30%
III	ON	-	20%
IV	-	-	10%

### Stand-by dimming level

The low light level you would like to have after the hold time in the long absence of people.

**Factory Setting: 20%**

	10	11	12	
I	ON	ON	ON	Disable
II	-	ON	-	200lux
III	ON	-	-	100lux
IV	-	-	-	50lux

### Daylight sensor

The sensor can be set to only allow the lamp to illuminate below a defined ambient brightness threshold.

When set to Disable mode, the daylight sensor will switch on the lamp when motion is detected regardless of ambient light level.

200lux: twilight operation, 50lux, 30lux: darkness operation only.

Note that daylight sensor is active only when lamp totally switches off.

**Factory Setting: Disable**

## Warranty

Five year limited warranty.

Specifications subject to change without notice.