



JWP CLASSIC LED WALL PACK



PRODUCT DESCRIPTION

The JWP Selectable Classic LED Wall Pack offers a traditional appearance and is powered by advanced LEDs, featured by wattage and CCT selectable. The Selectable Classic LED Wall Pack is powerful yet energy efficient, with lumen output from 5600lm to 16,800lm, capable of replacing a 400W metal halide luminaire easily. The Selectable Classic LED Wall Pack not only is suitable for entryway / pathway lighting with 8'-15' mounting heights but also suitable for area / perimeter lighting up to 25' mounting heights.

FEATURES

- Wattage selectable
- 3000K, 4000K and 5000K selectable
- Lumen output range from 5600lm to 16,800lm
- Photocontrol and emergency back-up optional
- Tempered glass lens

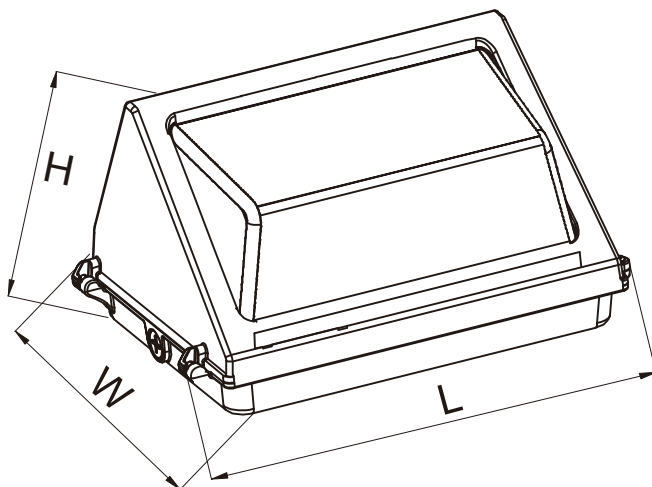
ELECTRICAL SYSTEM

- Input voltage: 120-277V
- 50/60Hz
- Power Factor: >0.9
- Total Harmonic Distortion: <20% at full load
- Working Temperature: -40 - 104°F (-40 - 40°C)

DIMENSION

Net. Weight: 6.92 lbs for 40-50-60W; 9.17 lbs for 80-100-120W

L14.21*W9.29*H7.6inch



PERFORMANCE

CRI

70

CCT

3000K, 4000K, 5000K selectable

Dimming

0-10V Dimming Standard

Projected Lifetime

L70 -100,000 Hours

Working Temperature

-40 - 104°F (-40 - 40°C)

Certifications

- cUL listed
- DLC 5.1 Premium listed
- Suitable for wet locations
- RoHs compliant

Ordering Information

Example: SCWP-SPS-SW1-JWP

Name	Watts	CCT	Voltage	Control	Finish	Version
SCWP	SPS - Selectable Power 40W/50W/60W ¹ SPL - Selectable Power /80W/100W/120W ¹	SW - Selectable White 3000K/4000K/5000K ²	1-120-277V	Blank - None PC - Button Photocontrol EBU - Emergency Battery Backup ³	Blank - Bronze	JWP

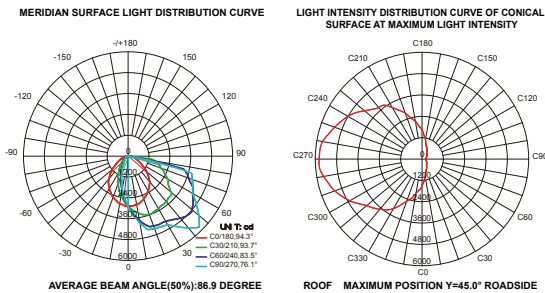
Notice:

- 60W and 100W are default setting, If need other wattage, please contact Customer Service in advance to change the setting in factory or change the setting in the field
- 4000K is default setting. If need other CCT please contact Customer Service in advance to change the setting in factory or change the setting in the field.
- Emergency battery backup is only for 40W to 60W. Ambient working temperature for Emergency battery backup is 32°F -95°F (0 °C -35°C).

* Bronze finish is standard. Custom color is available for a premium setup fee. Consult customer service for additional information.

PHOTOMETRY

All published luminaire photo metric testing performed to IESNA LM-79-08 standards by a NVLAP certified laboratory.



PERFORMANCE DATA

Lumen values are measured by third party certified laboratories performed in accordance with IESNA LM-79-08 as well as Lighting Facts listed.

Nominal Watts	Lumen Output	AC Input 120V	CCT	CRI	LPW
40W	5600	0.33A	4000K	>70	140
50W	7000	0.42A	4000K	>70	140
60W	8400	0.49A	4000K	>70	140
80W	11200	0.67A	4000K	>70	140
100W	14000	0.83A	4000K	>70	140
120W	16800	1.00A	4000K	>70	140

WARRANTY

Five year limited warranty.

Note: Specifications subject to change without notice.



Wattage and CCT selectable