



EUNIKE GEN2 LED LUMINARIE



PRODUCT DESCRIPTION

The Eunike GEN2 LED Luminaire brings architectural style to any area or site, impacting pedestrian-scale for improved comfort and security. Support the most popular mounting type such as single arm, twins arm, post top and side entry. Various precise optical lenses available. Tool-less maintenance and easy-to-install design.

FEATURE

- Different mounting arms available
- Three CCT selectable
- 30%, 50%, 75% and 100% power selectable
- Efficiency up to 150LPW
- Various precise optical lenses
- Tool-less maintenance
- Compatible with NEMA socket

ELECTRICAL SYSTEM

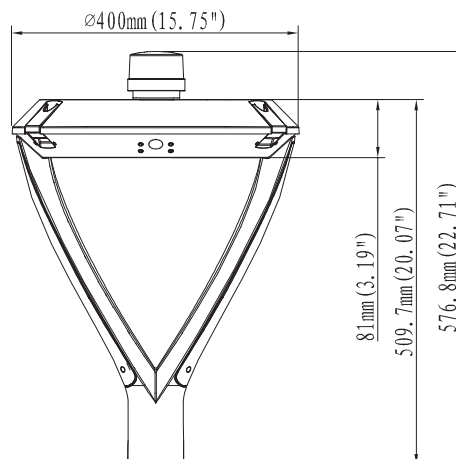
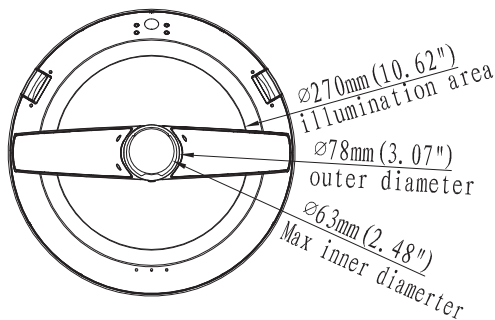
- Input Voltage: 120-277VAC, 50/60Hz
- 0-10V dimming
- Operating temperature range: -30-104 °F (-22-40 °C)
- Power Factor: > 0.9
- Total Harmonic Distortion: < 20% at full load
- 10kV surge suppression available

SPECIFICATION

Twins Arm

Effective Projected Area (EPA): 0.11m²/1.15ft²

Net Weight for: 6.8±0.3kg (15.0± 0.66Lbs)



PERFORMANCE

CRI

70+

CCT

3000K, 4000K, 5000K

Projected Lifetime

L70 - 100,000 Hours

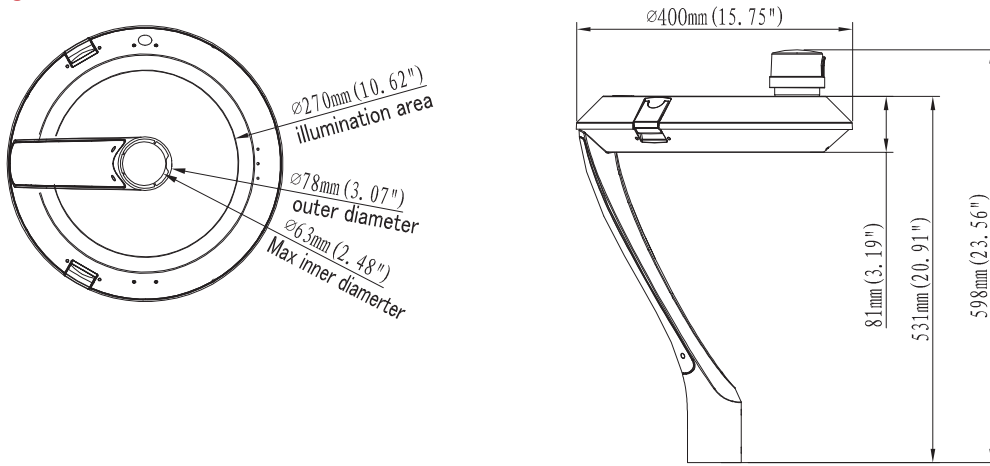
Working Temperature

-22-104°F (-30-40°C)

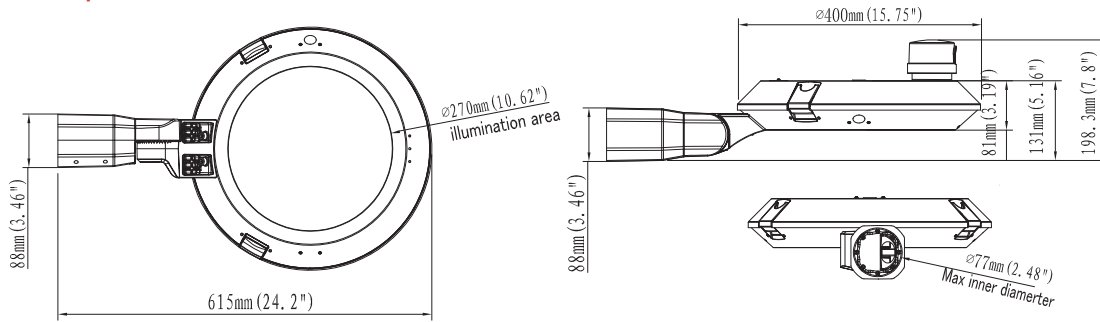
Certifications

- cETL Listed
- IP66 rated
- IK08 rated
- RoHS compliant

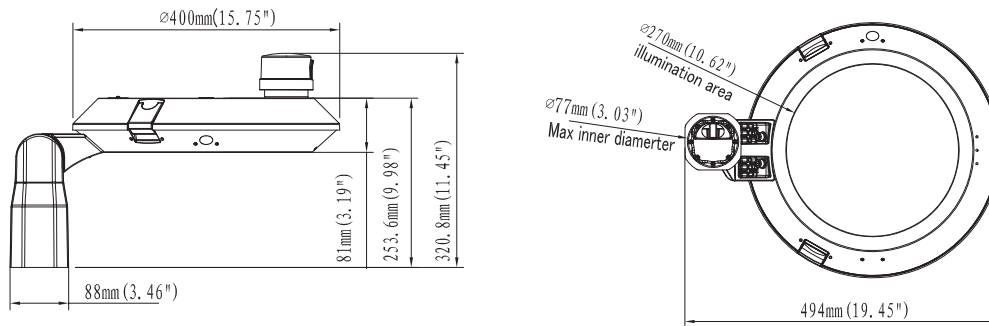
Single Arm



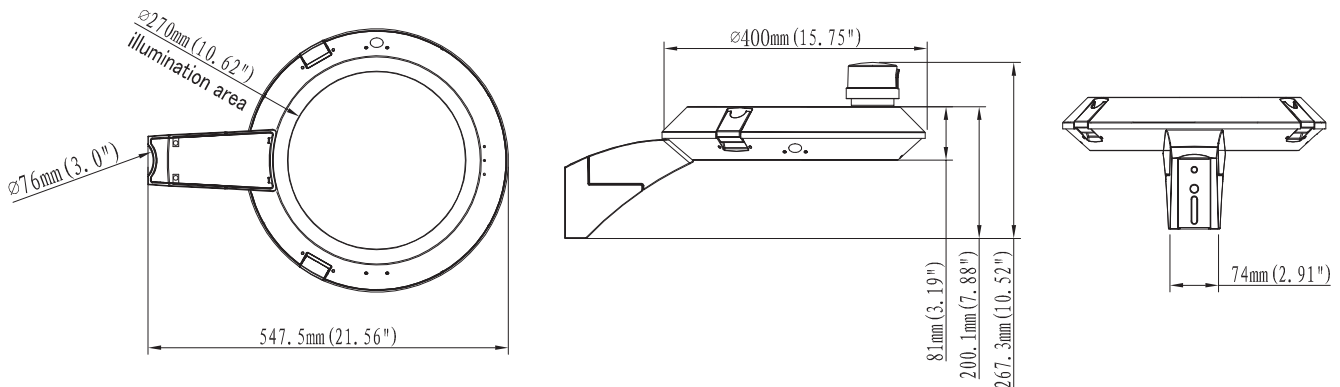
Horizontal Slip Fitter Mount



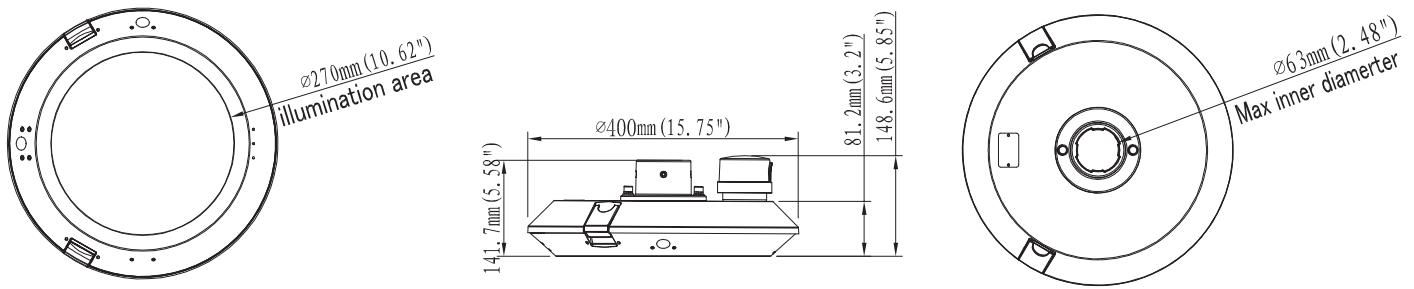
Vertical Slip Fitter Mount



Side Arm



Gooseneck Mount



Ordering Information

Example: EPT2-60SP-SW1-TAR-V

Name	- Watts	- CCT	Voltage	- Control	- Installation	- Distribution	- Lens	- Finish
EPT2	- 30SP - 30W Selectable ¹	- SW- 3000K/4000K 5000K selectable ³	1-120-277V	- Blank - None PC- Photoelectric Control 7P- 7Pin PE Receptacle ⁴ MSW- Microwave Motion Sensor ⁷	- TAR - Twins Arm SAR - Single Arm SDAR - Side Arm SF - Slip fitter for 2 3/8" to 3" pole GM - Gooseneck Mount	- II - Type II III- Type III IV - Type IV ⁵ V - Type V ⁶	- Blank- Glass Clear Lens	Blank - Bronze (RAL8019)
	60SP - 60W Selectable ²							

Notice:

- 30W is special for project. Please contact Customer Service for lead time. 30%, 50%, 75% and 100% power selectable. 30W is default setting. If need other wattage, please change the setting in the field.
- 60W selectable is standard. 30%, 50%, 75% and 100% power selectable. 60W are default setting. If need other wattage, please change the setting in the field.
- 4000K is default setting. If need other CCT please change the setting in the field.
- Shorting cap included.
- Type IV is only for twins and single arm.
- Type V is only for side arm, slip fitter and gooseneck mount.
- Microwave dimming sensor for mounting height 40ft (12m) max. Different functions can be set by the remote controller RC-100.

* Standard Finish is Bronze. Custom colors might be available for an additional fee. Please check with Customer Service for more information.

Accessories (Ordered separately & field installed)



EPT-4RPA
4" OD Round Pole Adapter



EPT-4SPA
4" Square Pole Adapter

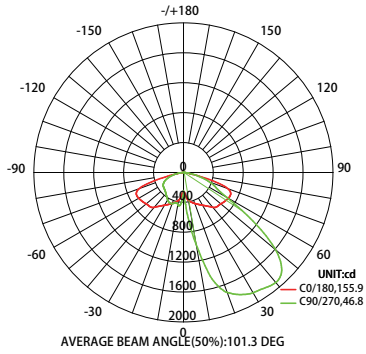


RC-100
Remote control for sensor

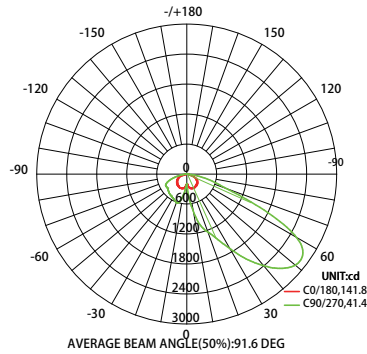
PHOTOMETRY

All published luminaire photometric testing performed to IESNA LM-79-08 standards by a NVLAP certified laboratory.

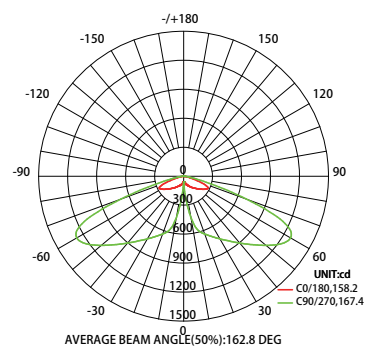
For Twins Arm



Type II

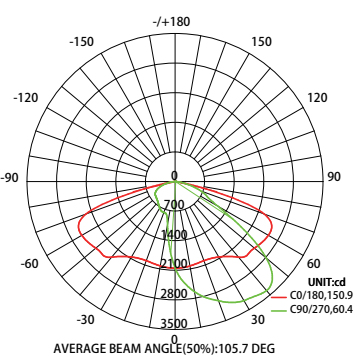


Type III

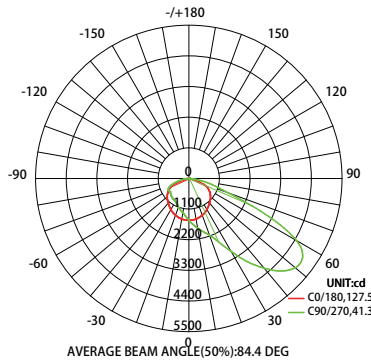


Type IV

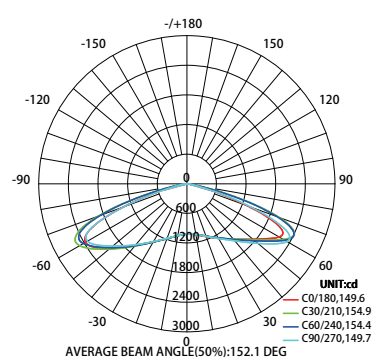
For Side Arm/ Slip Fitter/ Gooseneck Mount



Type II



Type III



Type V

PERFORMANCE DATA

LUMEN OUTPUT

Lumen values are measured by third party certified laboratories performed in accordance with IESNA LM-79-08 as well as Lighting Facts listed.

For Twins Arm

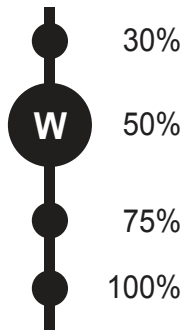
Nominal Watts	Measured Watts	Lumen Output	CCT	Dist. Type	CRI	LPW
30W	29W	3770lm	4000K	Type IV	>70	130
60W	58W	7540lm	4000K	Type IV	>70	130

For Side Arm/ Slip Fitter/ Gooseneck Mount

Nominal Watts	Measured Watts	Lumen Output	CCT	Dist. Type	CRI	LPW
30W	30W	4620lm	4000K	Type V	>70	154
60W	58W	8870lm	4000K	Type V	>70	153

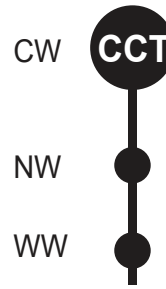
For Singe Arm

Nominal Watts	Measured Watts	Lumen Output	CCT	Dist. Type	CRI	LPW
30W	30W	4170lm	4000K	Type IV	>70	139
60W	58W	8120lm	4000K	Type IV	>70	140



Power Adjustable

100%、75%、50%、30% adjustable



CCT Selectable

3000K, 4000K, 5000K adjustable



Twins Arm Mount



Single Arm Mount



Vertical Slip Fitter Mount



Gooseneck Mount



Side Arm Mount



Horizontal Slip Fitter Mount

DAYLIGHT HARVEST MICROWAVE SENSOR SETTING (ANT-9)

By selecting the combination on the DIP switch, sensor data can be precisely set for each specific application. The sensor setting also can be done by a remote control (RC-100) which need to be bought separately.

	1	2	
I	↓	↓	20%
II	↓	↑	50%
III	↑	↓	75%
IV	↑	↑	100%

Sensitivity

Sensitivity can be reduced by selecting the combination on the DIP switches to fit precisely each application .

Default Setting: 100%

	3	4	
I	↓	↓	10 S
II	↓	↑	1 Min
III	↑	↓	5 Min
IV	↑	↑	15 Min

Hold time

Refers to the time period the lamp remains at 100% illumination after no motion detected.

Default Setting: 1min

	5	6	
I	↓	↓	☀
II	↓	↑	10 Lux
III	↑	↓	30 Lux
IV	↑	↑	50 Lux

Daylight sensor

The sensor can be set to only allow the lamp to illuminate below a defined ambient brightness threshold.

Default Setting: 30 Lux

	7	8	
I	↓	↓	0%
II	↓	↑	10%
III	↑	↓	30%
IV	↑	↑	50%

Stand-by dimming level

The low light level you would like to have after the hold time in the long absence of people.

Default Setting: 30%

	9	10	
I	↓	↓	+ ∞
II	↓	↑	1 Min
III	↑	↓	30 Min
IV	↑	↑	60 Min

Stand-by time

Refers to the time period the lamp remains at a low light level before it completely switches off in the long absence of people. When set to “+∞” mode, the low light is maintained until motion is detected

Default Setting: +∞

Warranty

Five year limited warranty.

Specifications subject to change without notice.