



## LED POT VAPOR PROOF LIGHT



### PRODUCT DESCRIPTION

LED Pot Series vapor proof fixtures are designed to replace incandescent and CFL fixtures with high-quality, long-lasting illumination over doorways, scaffolding, construction sites, fire hydrants and emergency call stations.

### FEATURE

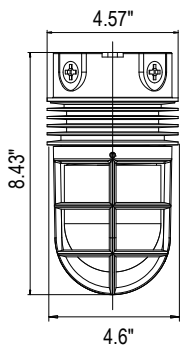
- Die-cast aluminum and tempered glass globe
- Ceiling, wall and pendant mount
- Glass lens and wire guard

### ELECTRICAL SYSTEM

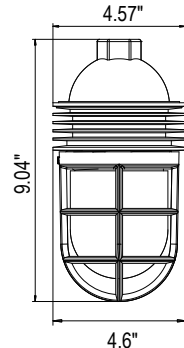
- Input Voltage: 120-277V
- 50/60Hz
- Minimum ambient -30°C, maximum ambient 40°C
- Power Factor: > 0.9 at full load
- Total Harmonic Distortion: < 20% at full load

### SPECIFICATION

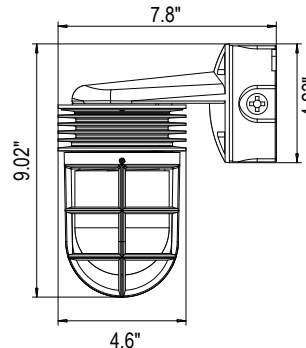
Ceiling Mount



Pendant Mount



Wall Mount



### PERFORMANCE

CRI

80+

CCT

3000K, 4000K, 5000K

Projected Lifetime

L70 - 80,000 Hours

Working Temperature

-22-104°F (-30-40°C)

Certifications

- cETLus Listed
- IP65 rated, suitable for wet location
- RoHS compliant

### Ordering Information

Example: PVP12LED501-W

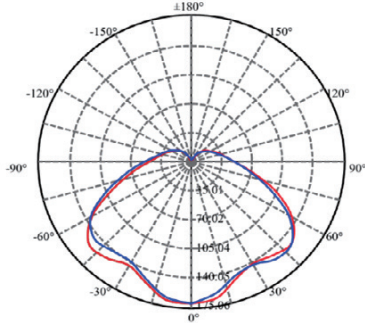
Pot Series	Vapor Proof	Watts	Source Type	CCT	Voltage	Installation	Lens and Wire Guard
P	VP	12 -12 Watts	LED	30 - 3000K 40 - 4000K 50 - 5000K	1- 120-277VAC	W - Wall Mount C - Ceiling Mount P - Pendant Mount	Blank - short glass and wire guard

Notice:

\* Grey finish is standard. Custom color is available for a premium setup fee. Consult customer service for additional information.

## PHOTOMETRY

All published luminaire photometric testing performed to IESNA LM-79-08 standards by a NVLAP certified laboratory.



### Projected LED Lumen Maintenance

Data references the extrapolated performance projections for the LED Vapor proof in a 77°F ambient, (tested per IESNA LM-80-08 and projected per IESNA TM-21-11).

<b>Operating Hours</b>	0	10,000H	18,000H	36,000H	80,000H
<b>Lumen Maintenance Factor</b>	1.0	0.98(L98)	0.96(L96)	0.92(L92)	0.70(L70)

Ref#: 20211123

## PERFORMANCE DATA

### LUMEN OUTPUT

Lumen values are measured by third party certified laboratories performed in accordance with IESNA LM-79-08 as well as Lighting Facts listed.

Watts	Lumen Output	AC Input 120V	Measured Watts	CRI	Glass	LPW
12W	840	0.11A	11.8W	80	Short	70

### Lumen Ambient Temperature (LAT) Multipliers

Use these factors to determine relative lumen output for average ambient temperature from -22-104°F (-30-40°C)

Ambient		Multiplier
Celsius	Fahrenheit	
0	32	1.02
10	50	1.01
20	68	1.00
25	77	1.00
30	86	1.00
40	104	0.99

## INSTALLATION

OPTION 1: Ceiling Mount



OPTION 2: Wall Mount



OPTION 3: Pendant Mount



## Warranty

Five year limited warranty. Full warranty terms located at [www.aboveallLighting.com/warrantystatements](http://www.aboveallLighting.com/warrantystatements)

## Note:

Specifications subject to change without notice.