



EMERGENCY LED DRIVER

Product Ordering Guide

Sample

EBU - H0 8 170
1 2 3 4

EBU			
1	2	3	4

1. Base Model

EM Emergency LED Driver

2. Type

H Pack - High Voltage Version

3. Output Power

08 8 W
 25 25 W

4. Output Voltage

170 170VDC

Optional Ordering Information

Indicator

Standard Recessed



Install Kit

T-Grid Hanger

Operation

When AC power fails, The emergency LED driver immediately switches to the emergency mode, operating for a minimum of 90 minutes. When AC power is restored, the emergency driver automatically returns to the charging mode.

Code-Required Testing

More secure, more rigorous than the standard requirements.

- **Initial Self-test after installation**
It will perform a functional test in 3 seconds after the driver installed to check the wiring and battery output when work. The indicator LED will be off or flicker in case of a failure or an error.
- **Second Self-Test In 120 Minutes**
It will perform second test in 120 minutes to check again. Upgrade in Gen 3: Repeat 4 times in every 120 minutes if fail in the second test.
- **Monthly Self-Test**
It will automatically perform a test every 30 days with a duration of 3 seconds, in which the wiring and battery output are checked. In case of a failure or an error, the indicator LED will be off or flicker.

Mounting Configurations:

Each unit is available in 4 different mounting configurations to accommodate various performance requirement and fixtures types.

- **Dual Flex (Standard)**
Provides dual flex for wiring to both the fixture or driver compartment and test accessories.



- **Single Flex (Optional)**
Mounts to the junction box and provides flexible conduit for remote mounting of the test accessories.



- **Integral Non-Flex (Optional)**
Allows for integral installation within the driver compartment. May also be mounted atop the fixture when used with a TMK cover accessory.



- **Top-Mount Non-Flex (Optional)**
Top-mounting option for running wires directly into the driver compartment. Test accessories are then installed within the fixture.



Specification



Note :

- Unrivaled emergency solution for most 1~60W LED luminaire which has 0-10V dimming.
- Minimum dim-down power \leq EM power
- It must connect 0-10V dimming wires if power of luminaire > power of emergency driver.

EBU - H08170

Output Power

8 Watts

Output Voltage

170V DC

Input Current

70 mA (Max)

Input Power

3.2 Watts (Max)

Input Voltage

100-277VAC, 50-60Hz

Emergency Operation

\geq 90 Minutes

Standby Power

< 0.4W

Operating Temp

0°C to 50 °C

Battery

Lithium

Recharge

24 Hrs

Luminaire Load Power

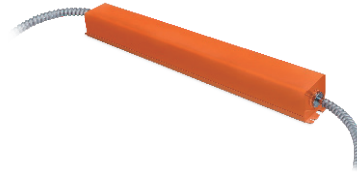
60W (Max) Minimum dim-down power \leq EM power

Dimensions

12.76" x 2.13" x 1.57"

Certificate

UL, CEC



Note :

- Unrivaled emergency solution for most 1~200W LED luminaire which has 0-10V dimming.
- Minimum dim-down power \leq EM power
- It must connect 0-10V dimming wires if power of luminaire > power of emergency driver.

EBU - H25170

Output Power

25 Watts

Output Voltage

170V DC

Input Current

110 mA (Max)

Input Power

6 Watts (Max)

Input Voltage

100-277VAC, 50-60Hz

Emergency Operation

\geq 90 Minutes

Standby Power

< 0.4W

Operating Temp

0°C to 50 °C

Battery

Lithium

Recharge

36 Hrs

Luminaire Load Power

200W (Max) Minimum dim-down power \leq EM power

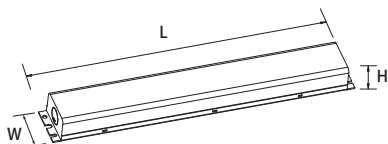
Dimensions

15.4" x 2.13" x 1.57"

Certificate

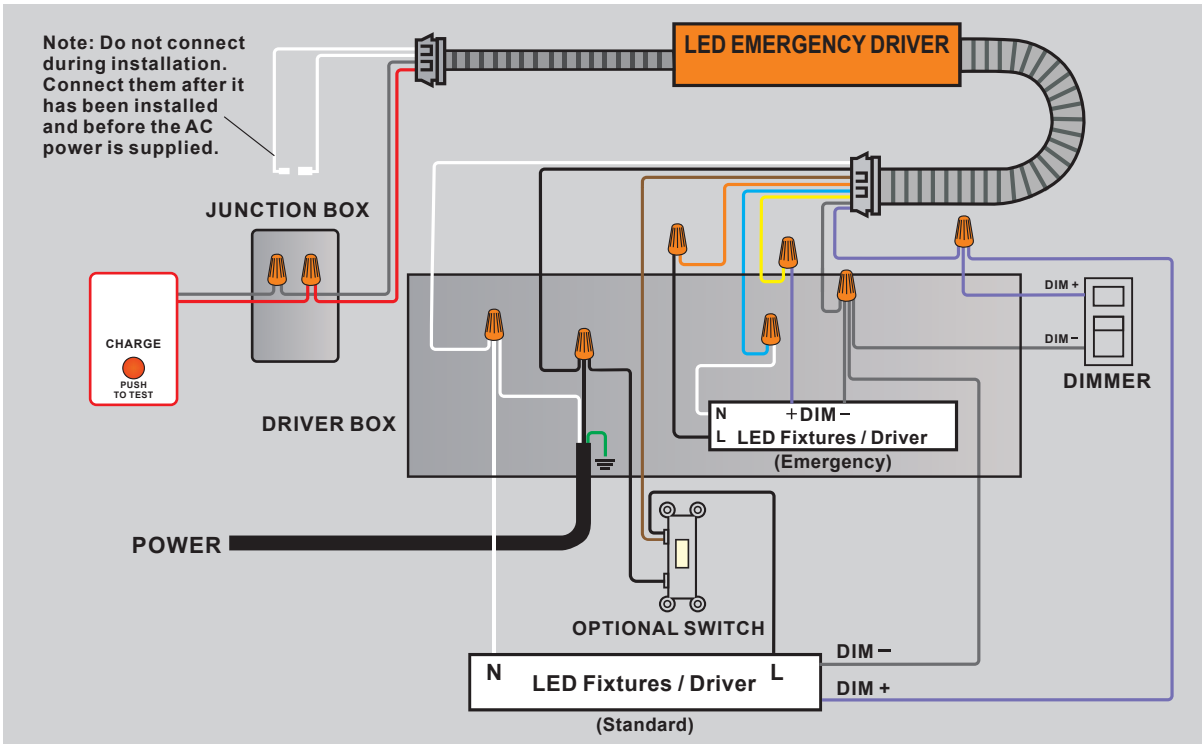
UL, CEC

Dimensions

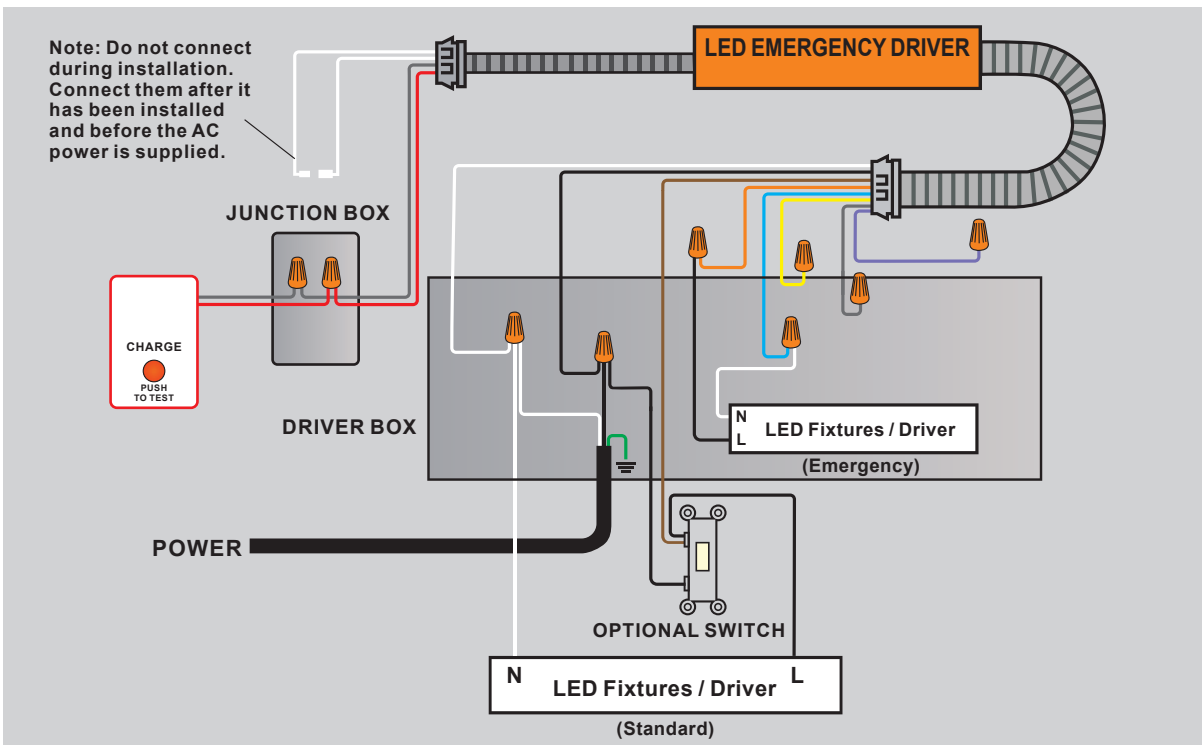


Model	L	W	H
EBU-H08170	12.76"	2.13"	1.57"
EBU-H25170	15.4"	2.13"	1.57"

Wiring Diagram



Power of luminaire with 0-10V dimming > Power of emergency driver.



Power of luminaire ≤ Power of emergency driver.