



GEN.3 LED UFO HIGH BAY



PRODUCT DESCRIPTION

The GEN.3 LED UFO High Bay Light is for workshop, warehouse, indoor stadium and other industrial applications. It is an ideal replacement for Induction lamp, metal halide or HID lamp, pure aluminum heat sink enables the lumen efficacy higher with excellent thermal management in one-piece structure by die-casting technology.

FEATURE

- Compact die-casting aluminum body design
- Reflector is available
- Wireless bluetooth system and Motion sensor control available
- 347/480V for option
- Various mounting options

ELECTRICAL SYSTEM

- Input Voltage: 120-277V, 347/480V , 50/60Hz
- Minimum ambient -40°F, maximum ambient 104°F
- Power Factor: > 0.9 at full load
- Total Harmonic Distortion: < 20% at full load

PERFORMANCE

CRI

70

CCT

4000K, 5000K

Dimming

0-10V dimming

12V Auxiliary power

Projected Lifetime

L70 - 100,000 Hours

Working Temperature

-40-104°F (-40-40°C)

Certifications

- cULus Listed
- IP65 rated
- RoHS compliant

SPECIFICATION

Product Size :

100-150W:φ272.7X57.1mm (10.74"X2.25")

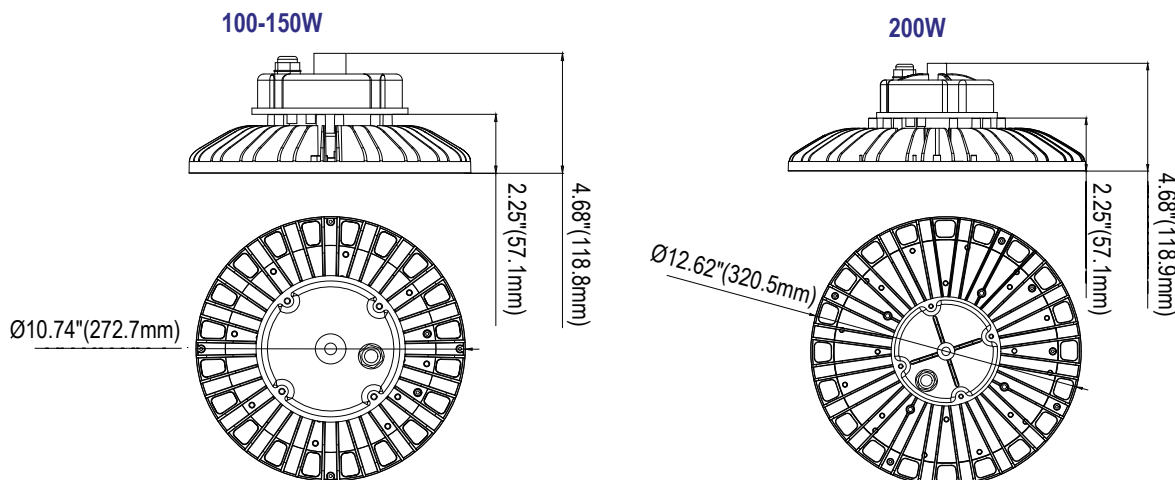
200W:φ320.5X57.1mm (12.62"X2.25")

Net weight :

100W:2.33Kg (5.14 lbs)

150W:2.43Kg (5.36 lbs)

200W:2.98Kg (6.57 lbs)



Ordering Information

Example: HBG3-100501

Series	- Watts	CCT	Voltage	Controls	Installation	Distribution	Options
HBG3	100 -100 Watts	40 - 4000K	1 -120-277VAC	Blank - No Controls	Blank-Loop	Blank-90° polycarbonate lens	Order and ship separately¹ HBG3-ALR-S HBG3-ALR-L HBG3-PCR-S HBG3-PCR-L HBG3-PCR-CGS
	150 -150 Watts	50 - 5000K	6 -347/480VAC	Order and ship separately¹ ANT-5-4T-BLE Bluetooth Microwave Motion Sensor	Order and ship separately¹ HBG3-P1 HBG3-P2 HBG3-TR		
	200 -200 Watts			ANT-5-4T Microwave Motion Sensor BLD-UM30R 30W Emergency Battery Backup ²			

Notice:

1. Order and shipped separately as accessory. More details in the following accessory table.
2. Emergency battery backup is not available for 480VAC.

* Standard Finish is Black. Custom colors might be available for an additional fee. Please check with Customer Service for more information.

Accessories (Ordered separately)



HBG3-ALR-S
Aluminum reflector for 100W and 150W



HBG3-PCR-S
Polycarbonate reflector for 100W and 150W



HBG3-PCR-CGS
Polycarbonate conical glare shield



HBG2-P1
3/4" pendant adapter for 120-277V



HBG2-TR
Trunnion Mount Bracket

HBG3-ALR-L
Aluminum reflector for 200W

HBG3-PCR-L
Polycarbonate reflector for 200W

HBG2-P2
3/4" pendant adapter for 347V/480V



L5-15P 125V 15A
Straight Plug 6ft black (18AWGx3)



ANT-5-4T-BLE*
Bluetooth Microwave Motion Sensor



ANT-5-4T
Microwave Motion Sensor



BLD-UM30R
30W Emergency Battery Backup



RN1
Remote control for Emergency Battery Backup



RC-100
Remote control for sensor

L7-15P 277V 15A
Twist Lock Plug 6ft black (18AWGx3)

