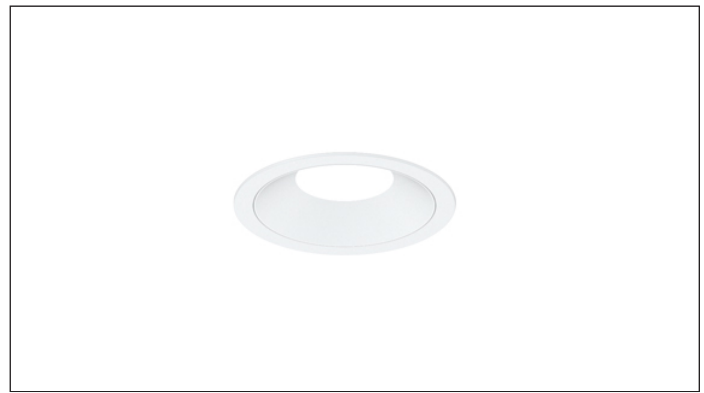


3G LIGHTING

3G-DL33RA

3.3" ROUND ADJUSTABLE
DOWNLIGHT
DYNAMIC WHITE

Small 3.3" round, adjustable high performance dynamic white downlight
Dim to Warm and Tunable White LED options up to 2000lm (90+ CRI)
Regressed LED source for enhanced glare control
Proprietary hot aiming mechanism with sliding center beam optimization
0° - 40° lockable tilt and 362° lockable rotation
Shallow housing available along with remodel and other housing options
1% dimming standard with several integral driver options



3GD 3GT

ORDERING INFORMATION

PROJECT:	<input type="text"/>	TYPE:	<input type="text"/>
CATALOG #:	<input type="text"/>	DATE:	<input type="text"/>

CAT. NO	LED SOURCE	LUMEN OUTPUT	CRI	BEAM ANGLE	VOLTAGE
3G-DL33RA	DW - DIM TO WARM (1800-3000K)	08 - 800 LUMENS 12 - 1200 LUMENS	H90 - 90+ CRI	20D - 20° ³ 40D - 40° 60D - 60°	UNV - 120/277V 120 - 120V 347 - 347V (0-10V ONLY)
	TW - TUNABLE WHITE ^{1,2} (2700K-6500K)	20 - 2000 LUMENS			

DRIVER	FLANGE TYPE	BEVELED INSERT	HOUSING TYPE
DIM - 0-10V (STANDARD 100-1%) LE - PHASE DIMMING ⁴ (TRIAC/ELV, 100-1%) LTEA - LUTRON HI-LUME LTEA ⁴ (FWD PHASE, 100-1%) D01 - 0-10V (100-0.1%) ¹ DALI - DALI (100-0.1%) ¹ DHL2 - LUTRON HI LUME LDE1 (1% ECOSYSTEM) DMX - DMX (100-0.1%) ¹	WT - WHITE TRIM BT - BLACK TRIM ST - SILVER TRIM XTR - TRIMLESS MWF - FLANGELESS (MILLWORK) ⁵	WI - WHITE SI - SILVER BI - BLACK	RMD - REMODEL (NON-IC) NCF - NEW CONSTRUCTION FRAME (NON-IC) SH - SHALLOW HOUSING (IC RATED & CP RATED) NC - NEW CONSTRUCTION HOUSING (CP RATED) IC - NEW CONSTRUCTION IC HOUSING

OPTIONS
SF60 - SOFTENING LENS (SUPPLIED STANDARD) LS60 - LINEAR SPREAD LENS SB60 - SANDBLASTED LENS CP - CHICAGO PLENUM ⁶ BH - C-CHANNEL BAR HANGERS EMR - EMERGENCY BATTERY (REMOTE) ⁷
Maximum 1 optical accessory

¹ Tunable White option available with D01, DALI and DMX drivers
² Tunable White option not available with Remodel and New Construction Frame Housing
³ 20D reflector available with 800 lumen output only
⁴ Phase dimming options available in 120V only
⁵ MWF not available with Remodel (NON-IC)
⁶ Chicago Plenum option available with Shallow Housing and New Construction Housing
⁷ Emergency battery installed remotely by others. Not accessible through the inside of the fixture

3GD - Warm Dim
3GT - Tunable White

NOVEMBER 26, 2021

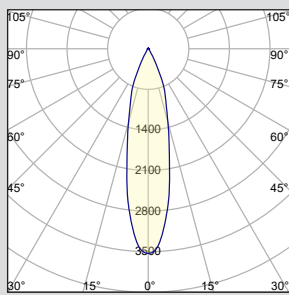


PERFORMANCE CHART BASED ON 60° BEAM AND 3000K SOURCE

DIM TO WARM LUMEN OUTPUT	90+ CRI (3000K)		
	DELIVERED LUMENS	SYSTEM WATTS	EFFICACY (LPW)
800LMs	N/A	N/A	N/A
1200LMs	1020	15.4	66
2000LMs	1431	23.2	62

PHOTOMETRY

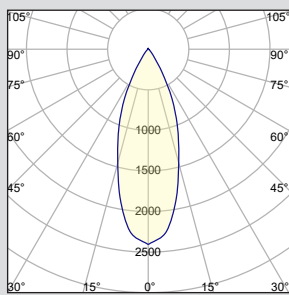
20D - 20° BEAM ANGLE



3G-DL33RA-DW-08-H90-20D

LUMEN OUTPUT: 800LMs
 DELIVERED LUMENS: 687LMs
 SYSTEM WATTS: 10.3W
 EFFICACY: 67LPW
 CRI: 90+
 CCT: 3000K

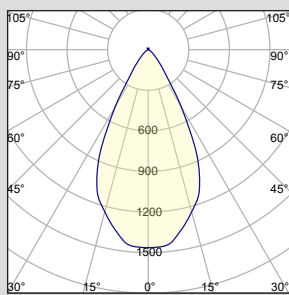
40D - 40° BEAM ANGLE



3G-DL33RA-DW-12-H90-40D

LUMEN OUTPUT: 1200LMs
 DELIVERED LUMENS: 1038LMs
 SYSTEM WATTS: 15.4W
 EFFICACY: 67LPW
 CRI: 90+
 CCT: 3000K

60D - 60° BEAM ANGLE



3G-DL33RA-DW-12-H90-60D

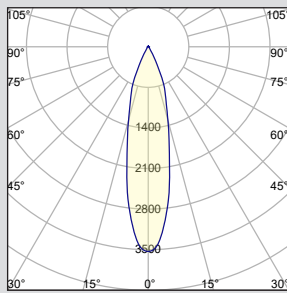
LUMEN OUTPUT: 1200LMs
 DELIVERED LUMENS: 1020LMs
 SYSTEM WATTS: 15.4W
 EFFICACY: 66LPW
 CRI: 90+
 CCT: 3000K

PERFORMANCE CHART BASED ON 60° BEAM ANGLE

TUNABLE WHITE LUMEN OUTPUT	90+ CRI (2700K)			90+ CRI (3500K)			90+ CRI (6500K)		
	DELIVERED LUMENS	SYSTEM WATTS	EFFICACY (LPW)	DELIVERED LUMENS	SYSTEM WATTS	EFFICACY (LPW)	DELIVERED LUMENS	SYSTEM WATTS	EFFICACY (LPW)
800LMs	N/A	N/A	N/A	N/A	N/A	N/A	N/A	N/A	N/A
1200LMs	949	16.6	57	1017	16.6	61	1120	16.6	67
2000LMs	1367	24.5	56	1394	24.5	57	1632	24.5	67

PHOTOMETRY

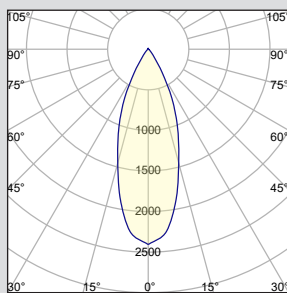
20D - 20° BEAM ANGLE



3G-DL33RA-TW-08-H90-20D

LUMEN OUTPUT: 800LMs
 DELIVERED LUMENS: 711LMs
 SYSTEM WATTS: 12.6W
 EFFICACY: 56LPW
 CRI: 90+
 CCT: 3500K

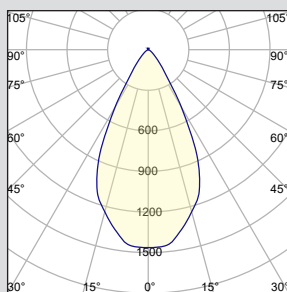
40D - 40° BEAM ANGLE



3G-DL33RA-TW-12-H90-40D

LUMEN OUTPUT: 1200LMs
 DELIVERED LUMENS: 1033LMs
 SYSTEM WATTS: 16.6W
 EFFICACY: 62LPW
 CRI: 90+
 CCT: 3500K

60D - 60° BEAM ANGLE



3G-DL33RA-TW-12-H90-60D

LUMEN OUTPUT: 1200LMs
 DELIVERED LUMENS: 1017LMs
 SYSTEM WATTS: 16.6W
 EFFICACY: 61LPW
 CRI: 90+
 CCT: 3500K

TECHNICAL**HOUSING**

Remodel, new construction frame, shallow housing, and IC housing options available
Maximum ceiling thickness of 1" (1.5" for Millwork Flangeless and Remodel options). Consult factory for modifications
All housing options designed to be easily converted in field to trim or trimless with minimal components
Housing rated for #12 AWG (4 in, 4 out), 90°C conductors and through branch wiring

BEVELED INSERT

Cast aluminum beveled insert with matte powder coated finish
3.3" aperture with regressed LED source for enhanced glare control

TRIM

Machined aluminum trim flange with matte powder coated finish and minimal 0.375" overlap

TRIMLESS

Mudding flange features a perforated surface for easy mud-in application
Integral blocking support provided to ensure fixture is properly secured within ceiling structure

OPTICS

Regressed LED source for enhanced glare control
Proprietary anodized, aluminum reflectors are field replaceable (20° reflector not interchangeable)
Available in 20°, 40°, 60°
All models provided standard with softening lens

ELECTRICAL

Standard 0-10V, constant current drivers with 100-1% dimming range and >0.9 power factor
Standard 120/277V universal voltage drivers. Optional 347V, 0-10V drivers
120V Forward Phase/Reverse Phase driver option with 100-1% dimming range
eldoLED 0-10V driver option available with 100-0.01% dimming range
eldoLED DALI and Lutron EcoSystem driver options available with 100-1% dimming range
DMX driver option available with 100-0% dimming range
All drivers are integral and easily accessible through fixture aperture

LED SYSTEM

Bridgelux LED module (field replaceable)
Color consistency <3 SDCM
Standard 90+ CRI
Dim to Warm (1800K-3000K)
Tunable White (2700K-6500K)
L70 >50,000 hours
5 Year Warranty

MOUNTING

Trim fixture designed for use in drywall, wood, acoustic, and other architectural ceilings
Trimless fixture designed for use in drywall, mud-in ceiling applications
Recommended ceiling cut-out for Millwork Flangeless option (3.525" diameter for ceilings up to 1"). Contact 3G for thicker ceilings
Recommended ceiling cut-out for all other housing options (3 13/16" diameter)
New construction frame and IC rated shallow housings ship with bar hangers (14" to 26" extension)
Standard new construction and IC housings available with optional c-channel bar hangers

LISTING

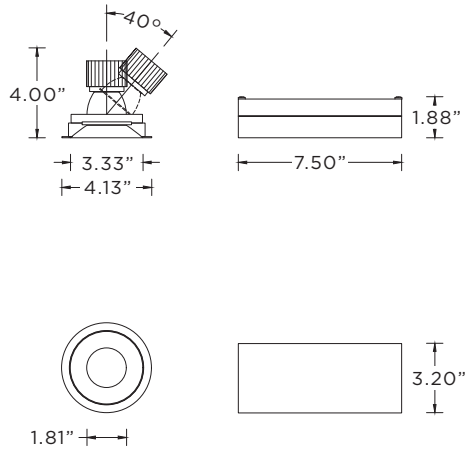
ETL listed and tested to cUL standards. Suitable for dry and damp locations

WARRANTY

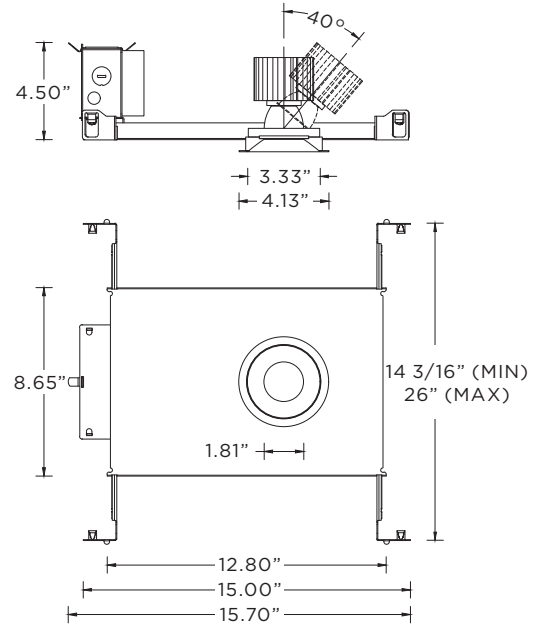
5 Year Warranty on LED and drivers
Manufacturer 1 Year Warranty for defects in material and workmanship under normal use
Ambient temperature at fixture should not exceed 25°C

TRIM HOUSING OPTIONS

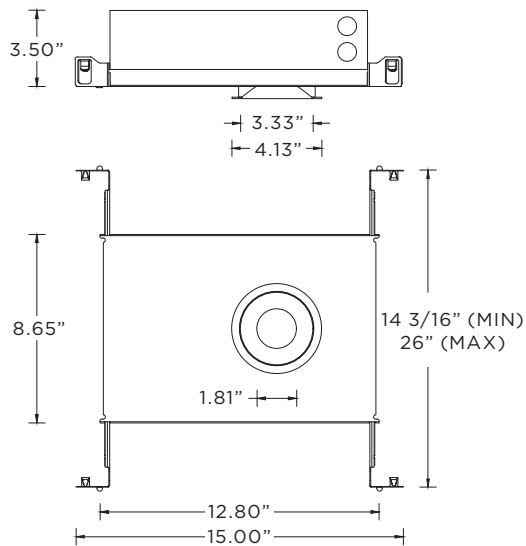
RMD - Remodel (Non-IC)



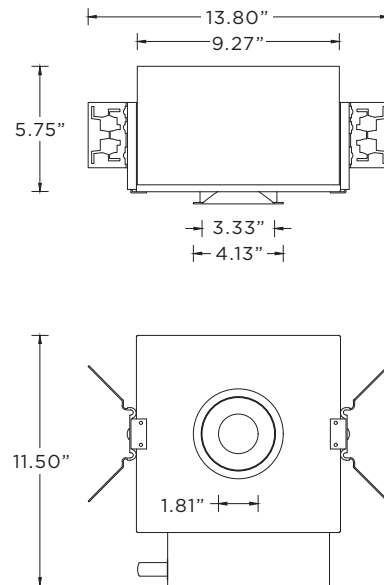
NCF - New Construction Frame (Non-IC)



SH - Shallow Housing (IC and Chicago Plenum Rated)

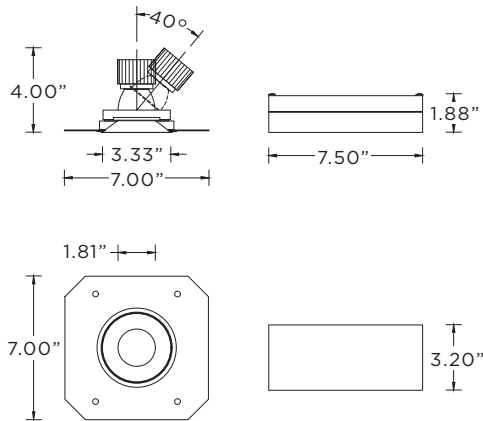


**NC - New Construction Housing (Non-IC and CP rated)
IC - New Construction IC Housing**

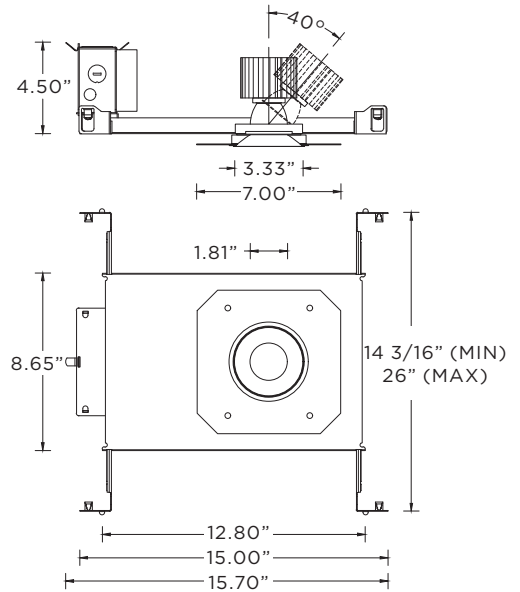


TRIMLESS HOUSING OPTIONS

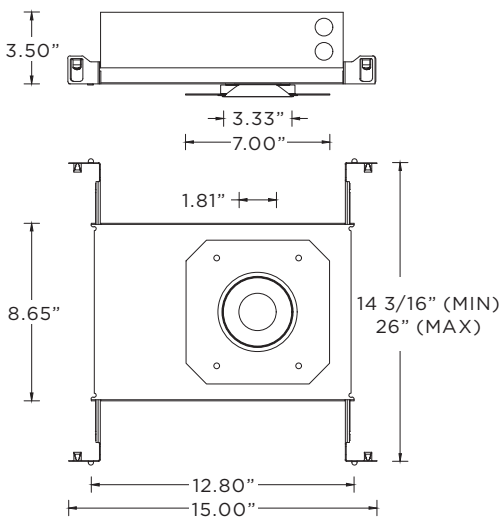
RMD - Remodel (Non-IC)



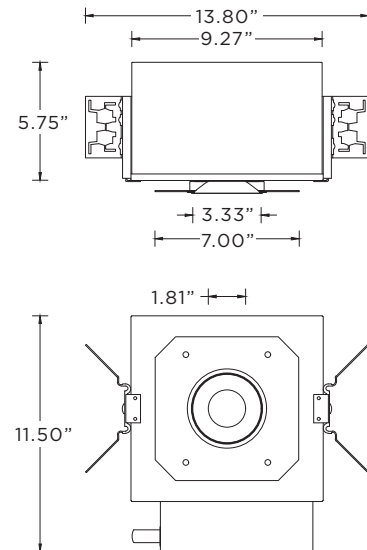
NCF - New Construction Frame (Non-IC)



SH - Shallow Housing (IC and Chicago Plenum Rated)

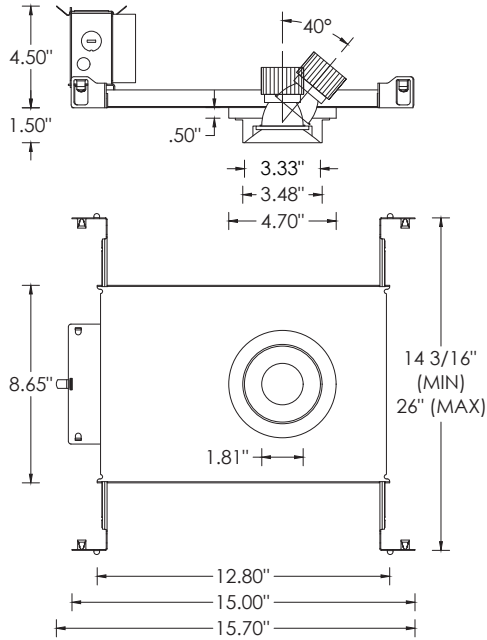


**NC - New Construction Housing (Non-IC and CP rated)
IC - New Construction IC Housing**

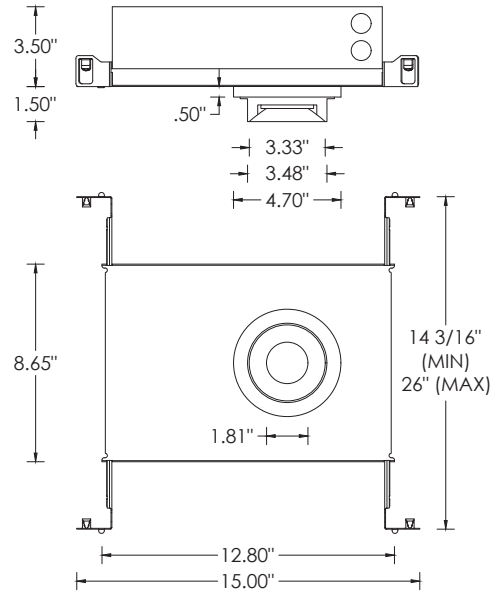


FLANGELESS MILLWORK OPTIONS

NCF - New Construction Frame (Non-IC)



SH - Shallow Housing (IC and Chicago Plenum Rated) (2200lm max)



NC - New Construction Housing (Non-IC and CP rated)
IC - New Construction IC Housing (2200lm max)

