

# TEX

ARCHITECTURAL SCALE, WET-LISTED EXTERIOR WALL SCONCE

# alva



Tex-30 in Graphite (GR)



Tex-30 in Graphite (GR)

#### APPLICATIONS

Direct/indirect luminaire for exterior applications: flanking doors, lobby entrances, on columns, on building facades, and between windows. Suitable for marine environments. Materials specifically for use in corrosive and harsh environments.

#### SIZES

- 30" H x 12" W x 4" D, 15 lbs
- 45" H x 12" W x 4" D, 22 lbs
- 60" H x 12" W x 4" D, 32 lbs

#### MOUNTING

- J-Box 3.0 or 4.0 at center or end of fixture
- Steel mounting system with mounting plate and cover with rubber gaskets between the junction box and mounting plate
- Can be mounted vertically or horizontally

#### SPECIFICATIONS

- IP66 Rated May be Power Washed at High Pressure (100kPa at distance of 3m)
- 120-277V input
- Title 24 Compliant
- ADA Compliant
- 100,000+ hours rated life time
- 10 Year Limited Warranty (excludes shade)

#### LAMPING

- High efficiency, fully integrated proprietary LED module
- 80 CRI minimum, 85 CRI typical
- 3000K or 3500K standard
- (23W) 2300 LM for 30" light module
- (37W) 3700 LM for 60" light module
- 0-10V Dimming (100-10%)

#### CONSTRUCTION

Fixture shell (shade): Heavy gauge aluminum with industrial powder coat finish and high impact acrylic



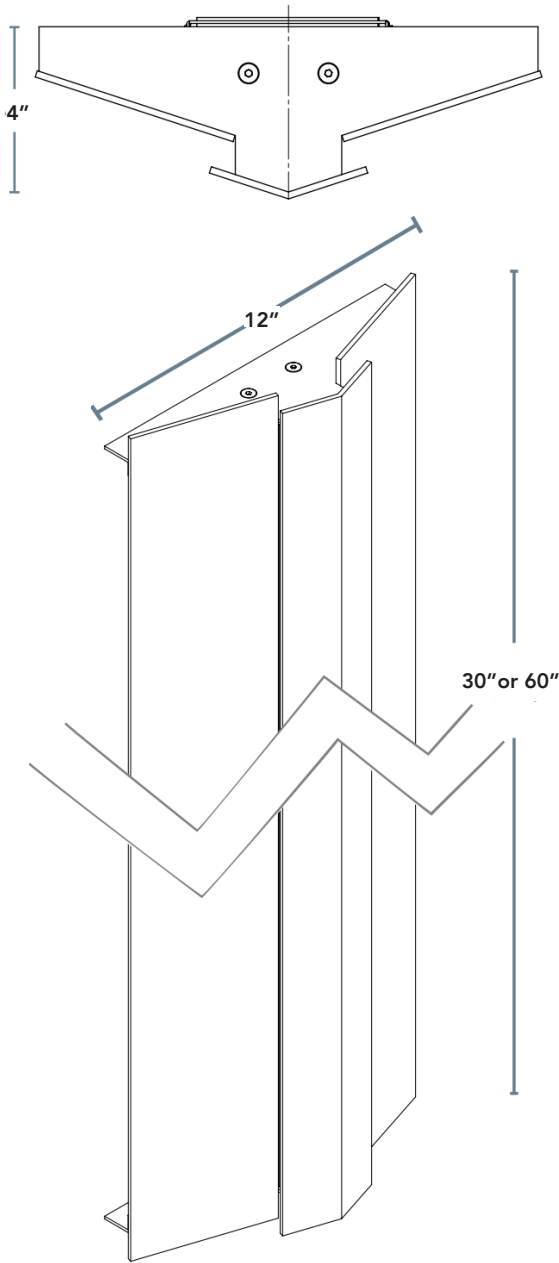
SPECIFICATIONS SUBJECT TO CHANGE

# TEX

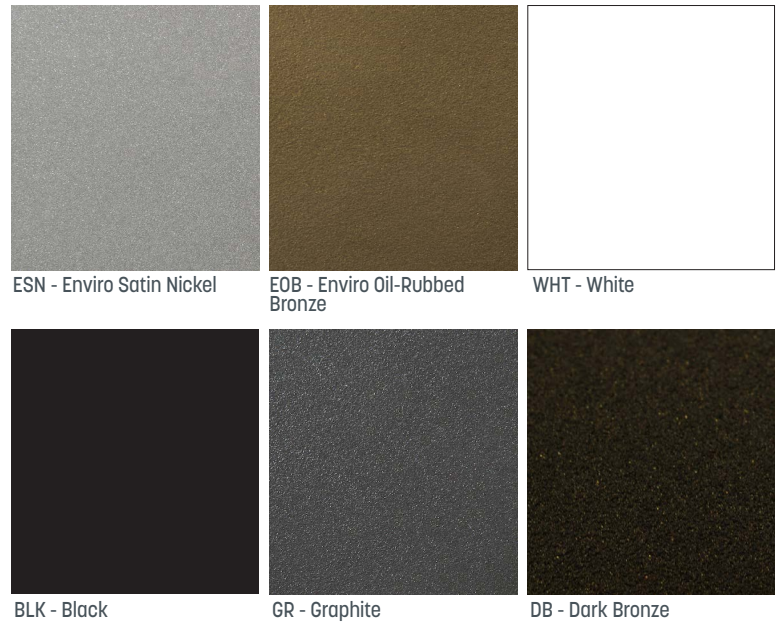
ARCHITECTURAL SCALE, WET-LISTED EXTERIOR WALL SCONCE

alva

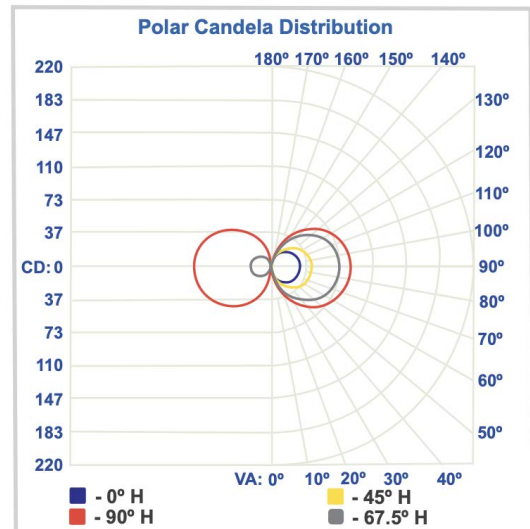
## DIMENSIONS



## METAL POWDER COAT FINISH OPTIONS



## PHOTOMETRIC RESULTS



## ORDER CODE:

MODEL	LENGTH	METAL TRIM POWDER COAT FINISH OPTIONS	CCT
TEX	30 30"	ESN Enviro Satin Nickel	3000 3000K
	45 45"	EOB Enviro Oil-Rubbed Bronze	3500 3500K
	60 60"	GR Graphite	4000 4000K
		DB Dark Bronze	
		WHT White	
		BLK Black	