

## SERIES 4VLFL2XWL2

4" Round Downlight

625-4059 Lumens



Available with suspended decorative soda-lime glass disk.  
Optional colors available upon request.

### APPLICATION

Small-aperture medium-distribution downlight is suitable for commercial, retail and institutional applications that require an energy saving, long life LED lamp source and a wet location under covered ceiling listing.

### FEATURES AND BENEFITS

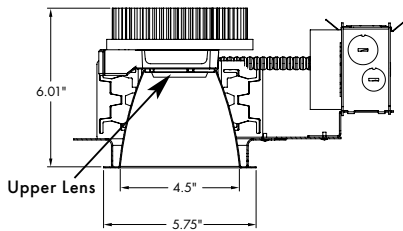
- Heavy-gauge aluminum reflector features a upper wet-location lens.
- Reflectors are available in specular or matte finish, as well as a variety of standard and special finishes.
- A 5/8" overlap flange is standard.
- Heavy-gauge galvanized steel housing provides a secure mounting platform for the electrical components and protects the optical assembly.
- Universal mounting brackets adjust vertically and accepts L-BAR interlocking, expandable C-channel hanger bars which are supplied standard. L-BARS are suitable for T-bar, wood joist and metal joist ceiling styles.
- Heavy-gauge galvanized junction box pre-wired with grounding pigtail. Easy access covers. Multiple conduit knockouts listed for through branch circuit wiring.
- Engineered heat sink provides passive cooling for optimum heat management of the LED engine.

### TECHNICAL DATA

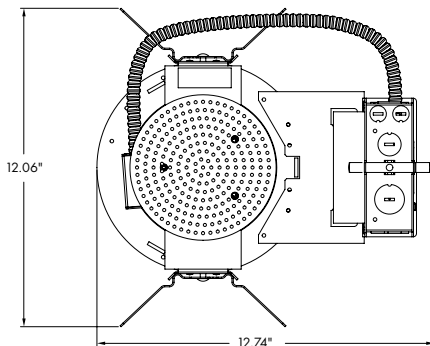
- Standard 120 or 277 VAC, 50-60 Hz. Optional 347V (E3).
- 0-10V, 1% dimming. See third page for other options available.
- CRI = 80. Available in 90 CRI.
- Expected lamp life to be 50,000 hours with 70% lumen maintenance when ambient temperatures do not exceed 45°C. Lower ambient temperatures yield longer lamp life.



5 Year  
Warranty



Rough Opening 5.13"



**HOW TO ORDER**

**Catalog #:**

Example: 4LVFL2X80035KE1DA

Fixture Series	Delivered Lumens	Color Temp.	Input Voltage	Dimming	Options
4LVFL2X	800 = 625L, 7W 1100 = 893L, 10W 1500 = 1227L, 14W 2000 = 1626L, 20W 3000 = 2438L, 29W 4000 = 3236L, 40W 5000 = 4059L, 50W C9 = 90 CRI	5K = 5000K <sup>1</sup> 4K = 4000K 35K = 3500K 3K = 3000K 27K = 2700K <sup>2</sup>	120/277V When Using DA, DB Dimming <sup>3</sup>  E1 = 120 Volt <sup>3</sup> E2 = 277 Volt <sup>3</sup> E3 = 347 Volt <sup>4</sup>	DA, DB Xitanium 1% 0-10V (linear) stan- dard  More Options On Next Page	EM = Emergency Battery Pack w/ remotely located Test Switch <sup>4</sup> , not suitable for wet location  X = Provision for Suspended Glass Lens (ICE4)

Example: 4VLEDWL2SCLPF

Trim	Trim Finish w/polished flange
4VLEDWL2	– Downlight reflector with upper domed lens for wet location  SCLPF – Soft Specular Clear HAZPF – Haze ICE4 – Decorative Soda-Lime Glass Accessory
For white painted flange, drop "PF" from Catalog #. For other finishes, consult reflector section.	

<sup>1</sup> 5000K only available in 80 CRI

<sup>2</sup> 2700K only available in 90 CRI (C9).

<sup>3</sup> Input voltage (E1, E2) not required to be specified with standard dimming (DA, DB)

<sup>4</sup> DMX PathWave, and 347V input (E3) options are not compatible with emergency battery options

Fixture:	Type:
Project:	

Manufactured and tested to UL#1598/8750 and CSA standards.  
 All Pathway® products meet or exceed requirements as established by the  
 National Electrical Code. Specifications subject to change without notice.

**DIMMING OPTIONS**

Specify option by suffix (shown in bold-face type)

Our White Paper regarding Linear vs. Logarithmic Operating Characteristics is available in our 'Downloads' section of our website, or you may request one by emailing [Sales@PathwayLighting.com](mailto:Sales@PathwayLighting.com)

<p><b>0-10V Dimming Options</b></p> <p>DA = Xitanium 1% 0-10V (linear)<sup>1</sup>                  DB = Xitanium 1% 0-10V (logarithmic)<sup>1</sup>                  DC = EldoLED 0-10V 0% (logarithmic)                  DD = EldoLED 0-10V 1% (logarithmic)                  DE = EldoLED 0-10V 0% (linear)                  DF = EldoLED 0-10V 1% (linear)                  DS = Sage 0-10V 1% (linear) 347V only                  DT = 0-10V 1% (linear) dim to of<sup>2</sup></p>	<p><b>Lutron Dimming Options</b></p> <p>Max Lumen = 4000 at 80 CRI, or                  Max Lumen = 3000 at 90 CRI</p> <p>DG = Lutron Eco 1% (linear)                  DJ = Lutron 2 wire 1% (linear)</p>	<p><b>DALI Dimming Options</b></p> <p>DK = EldoLED DALI 0% (logarithmic)<sup>2</sup>                  DL = EldoLED DALI 1% (logarithmic)<sup>2</sup></p>	<p><b>Forward/Reverse Phase Options</b></p> <p>DM = 120V 2-wire forward/reverse phase 1% (linear)</p>
<p><b>DMX<sup>3</sup> Dimming Options (interfaced through 0-10V driver)</b></p> <p>XA = DMX Xitanium 1% (linear)<sup>3</sup>                  XB = DMX Xitanium 1% (logarithmic)<sup>3</sup>                  XC = DMX EldoLED 0% (logarithmic)<sup>3</sup>                  XD = DMX EldoLED 1% (logarithmic)<sup>3</sup>                  XE = DMX EldoLED 0% (linear)<sup>3</sup>                  XF = DMX EldoLED 1% (linear)<sup>3</sup></p>	<p><b>RDM DMX</b></p> <p>Max Lumen = 4000 at 80 CRI, or                  Max Lumen = 3000 at 90 CRI</p> <p>XG = DMX EldoLED 0% (logarithmic)                  XH = DMX EldoLED 0% (linear)</p>		

<sup>1</sup> Xitanium driver (DA, DB) is the standard dimming option and does not require that 120V input (E1) or 277V input (E2) to be specified.

<sup>2</sup> Max lumen = 5000 at 80 CRI, or Max lumen = 4000 at 90 CRI

<sup>3</sup> DMX and 347V input (E3) options are not compatible with emergency battery options.

**DELIVERED LUMENS DATA**

**Delivered Lumen Data - 80 CRI (3500K Color Temperature)**

FIXTURE	TRIM	RATED LUMENS	WATTAGE	DELIVERED LUMENS	BEAM DISTRIBUTION	LPW
4VFL2X80035KDA, DB	4VLEDWL2SCLPF	800	7	625	64°	89.3
4VFL2X110035KDA, DB	4VLEDWL2SCLPF	1100	10	893	64°	89.3
4VFL2X150035KDA, DB	4VLEDWL2SCLPF	1500	14	1227	64°	87.6
4VFL2X200035KDA, DB	4VLEDWL2SCLPF	2000	20	1626	64°	81.3
4VFL2X300035KDA, DB	4VLEDWL2SCLPF	3000	29	2438	64°	84.1
4VFL2X400035KDA, DB	4VLEDWL2SCLPF	4000	40	3236	64°	80.9
4VFL2X500035KDA, DB	4VLEDWL2SCLPF	5000	50	4059	64°	81.2

**Delivered Lumen Data - 90 CRI (3500K Color Temperature)**

FIXTURE	TRIM	RATED LUMENS	WATTAGE	DELIVERED LUMENS	BEAM DISTRIBUTION	LPW
4VFL2X800C935KDA,DB	4VLEDWL2SCLPF	800	9	669	64°	74.3
4VFL2X1100C935KDA,DB	4VLEDWL2SCLPF	1100	12	893	64°	74.4
4VFL2X1500C935KDA,DB	4VLEDWL2SCLPF	1500	17	1221	64°	71.8
4VFL2X2000C935KDA,DB	4VLEDWL2SCLPF	2000	24	1603	64°	66.8
4VFL2X3000C935KDA,DB	4VLEDWL2SCLPF	3000	36	2650	64°	73.6
4VFL2X4000C935KDA,DB	4VLEDWL2SCLPF	4000	48	3259	64°	67.9
4VFL2X5000C935KDA,DB	4VLEDWL2SCLPF	5000	62	4079	64°	65.8

Above Values reflect 3500K color temperatures and DA or DB Dimming. Add 2 Watts to power for other dimming options.

Scaling factors for other color temperatures: 3000K = 0.97 ; 4000K = 1.03 ; 5000K = 0.98

## Available Reflector Finishes



Clear  
Soft Specular "SCL"



Pewter  
Diffused "EPW"  
Soft Specular "SPW"



Haze  
Diffused "HAZ"



Straw  
Diffused "EST"  
Soft Specular "SST"



Bronze  
Diffused "EBZ"  
Soft Specular "SBZ"

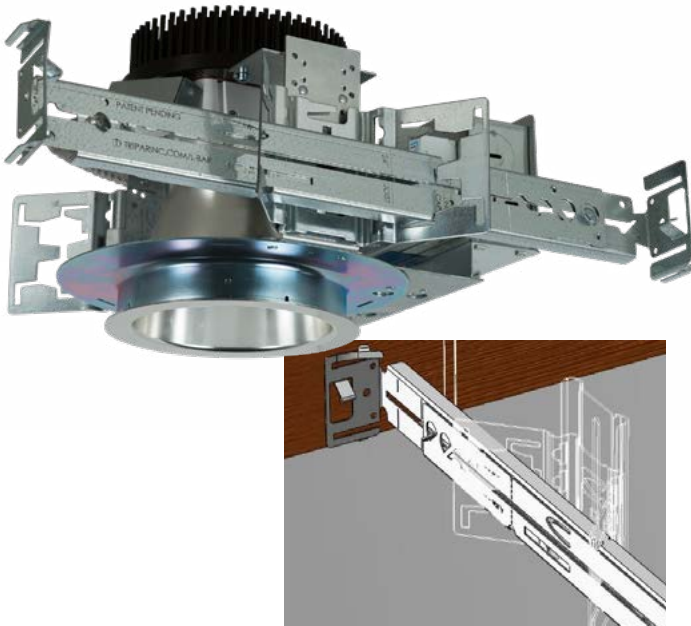


Wheat  
Diffused "EWT"  
Soft Specular "SWT"

Our standard reflector finish is soft specular clear Alzak (SCL) with a polished self-flange (PF). Additional hues are noted to left. Several of these are offered in both a soft specular and a diffused/matte finish. For colors not shown, contact our sales department for advice on custom anodized finishes.

Specified suffix of desired finish.  
Example: 4VLEDSCLPF  
For white painted flange omit PF.

## Standard Hanger Bars



Interlocking L-Bar hanger bars are now standard with all recessed Coventry Architectural lighting fixtures.

Installer friendly features include:

- L-Bars are fabricated from identical L-shaped cross sections that form a sturdy 1/2" by 1-1/2" C-channel profile for superior rigidity.
- Pre-marked with spacing locations for 24" T-bar; 16" and 24" joist ceilings (wood and metal).
- Extension locks with an easy-to-use integral twist tab. No separate fastener.
- Interlocking and expandable to 24". Can be increased to 36" or 48" with the use of one additional bars.
- Allows for offset mounting.
- Integral and barbed nail spike for wood joist ceilings.
- Fits into the C-channel notches on our butterfly mounting bracket.