



ZUMALIGHTING
QUALITY OUTDOOR SOLUTIONS



MODEL
ALAMEDA

TYPE
LED

SERIES
WALL & CEILING

ZUMA LIGHTING LLC
325 N LARCHMONT BLVD STE 406, LOS ANGELES, CA 90004
INFO@ZUMALIGHTING.COM • (310) 975-3126 • ZUMALIGHTING.COM

ORDERING INFORMATION


Model ALAMEDA
Type LED
Series WALL & CEILING



ALA-45 Wall Pack



ALA-44 Wall Pack

FIXTURE	WATTAGE	VOLTS	COLOR TEMP	OPTICS	MOUNT	COLOR	OPTIONS
ALA-44	ALA-44 25W	U = 120v- 277v	4K = 4000K	T4		DB = Dark Bronze CC = Custom	SP = Surge Protection PC = Photocell S2 = Microwave Sensor w/ Dimming for Mounting Height of 8-40' (120-277v only) BU = Battery Backup, 90 Minutes
ALA-45	37W 81W ALA-45 81W 112W 174W	H = 347- 480v*	5K = 5000K				
		*Only available with ALA-45					

Alameda Overview

The Alameda wall pack series consist of full cutoff wall luminaires available in a range of wattages with a specially designed Type IV wide forward throw optical distribution that is designed to replace HID lighting systems of up to 175W, 250W, or 400W MH or HPS. One 174W ALA-45 with increased mounting height can replace 2 existing 400W MH wall packs to dramatically lower energy costs. Typical wall mounted lighting applications include retail centers, industrial parks, schools and universities, public transit and airports, office buildings and medical facilities. Mounting heights of 12 to 25 feet for the ALA-44 and 18 to 35 feet for the ALA-45 can be used based on light level and uniformity requirements.

Housing

Die cast aluminum housing with full cutoff front frame, integral heat sinking and driver compartment. Polycarbonate vandal-resistant lens area on housing for use with microwave sensors. Twist-lock photocell/smart controls adaptable. Nickel-plated stainless steel hardware.

Listing & Ratings

CSA Listed for wet locations, ANSI/UL 1598, 8750; IP66 Sealed LED Compartment.

Finish

Textured architectural bronze powder coat finish over a chromate conversion coating. Custom colors available upon request.

Lens

Clear one-piece molded type IV polycarbonate lens.

Mounting Options

Mount directly over a 4" recessed outlet box, includes easy-hang 'two hands free' wall mounting bracket with built-in level. Optional trim plate is available for use in retrofit applications to cover wall surface blemishes.

Wattage

25w: Array: 24.9w, System: 28.4w (100w HID Equivalent)

37w: Array: 37.3w, System: 41.8w (175w HID Equivalent)

81w: Array: 80.8w, System: 38.7w (175w HID Equivalent)

81w: Array: 80.8w, System: 92.8w (175w HID Equivalent)

112w: Array: 111.9w, System: 131w (250w HID Equivalent)

174w: Array: 174.1w, System: 187.5w (400w HID Equivalent)

Driver

Electronic Driver, 120-277V, 50/60Hz or 347-480V, 50/60Hz; Less Than 20% THD and PF>0.90. Standard Internal Surge Protection is 2kV for 25w, 6kV for 37w and higher wattage. 0-10V Dimming Standard for a Dimming Range of 100% to 10%; Dimming Source Current is 150 Microamps.

Controls

Fixtures Ordered with Factory-Installed Photocell or Motion Sensor Controls are Internally Wired for Switching and/or 1-10V Dimming Within the Housing. Remote Direct Wired Interface of 1-10V Dimming is Not Implied and May Not Be Available, Please Consult Factory. Fixtures are Tested with LEPG Controls and May Not Function Properly With Controls Supplied By Others. Fixtures are NOT Designed for Use with Line Voltage Dimmers.

Warranty

5-Year warranty for -40° to +50°C environment.

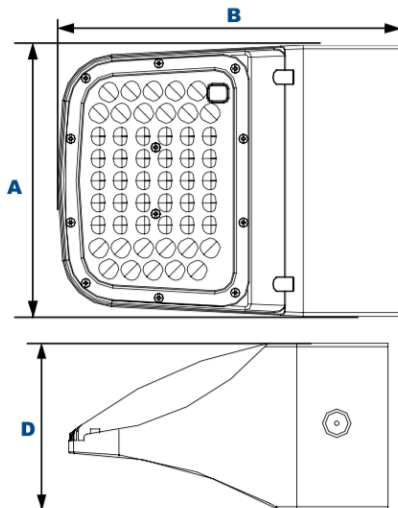
Photometric Performance

LED Board Watts	Drive Current (mA)	Input Watts	Optics	5000 CCT 80 CRI					4000 CCT 80 CRI				
				Lumens	LPW	B	U	G	Lumens	LPW	B	U	G
ALA-44 25w	525	28	Type IV	3,420	122	1	0	1	3,147	112	1	0	1
ALA-44 37w		42		4,599	110	1	0	1	4,454	106	1	0	1
ALA-44 81w		84		9,267	110	2	0	2	9,155	109	2	0	2

LED Board Watts	Drive Current (mA)	Input Watts	Optics	5000 CCT 80 CRI					4000 CCT 80 CRI				
				Lumens	LPW	B	U	G	Lumens	LPW	B	U	G
ALA-45 81w	525	93	Type IV	10,402	112	3	3	3	9,700	104	3	3	3
ALA-45 112w		131		14,049	107	3	0	3	13,636	104	3	0	3
ALA-45 174w		188		20,704	110	3	0	3	20,327	108	3	0	3

Dimensions

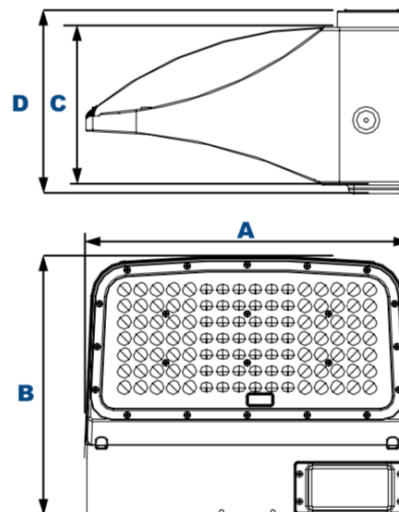
ALA-44



Dimensions

Width (A)	8¾" (220mm)
Length (B)	11" (280mm)
Height 2 (D)	5¾" (146mm)

ALA-45



Dimensions

Width (A)	15" (380mm)
Length (B)	12" (302mm)
Height 1 (C)	5¾" (146mm)
Height 2 (D)	6" (154mm)